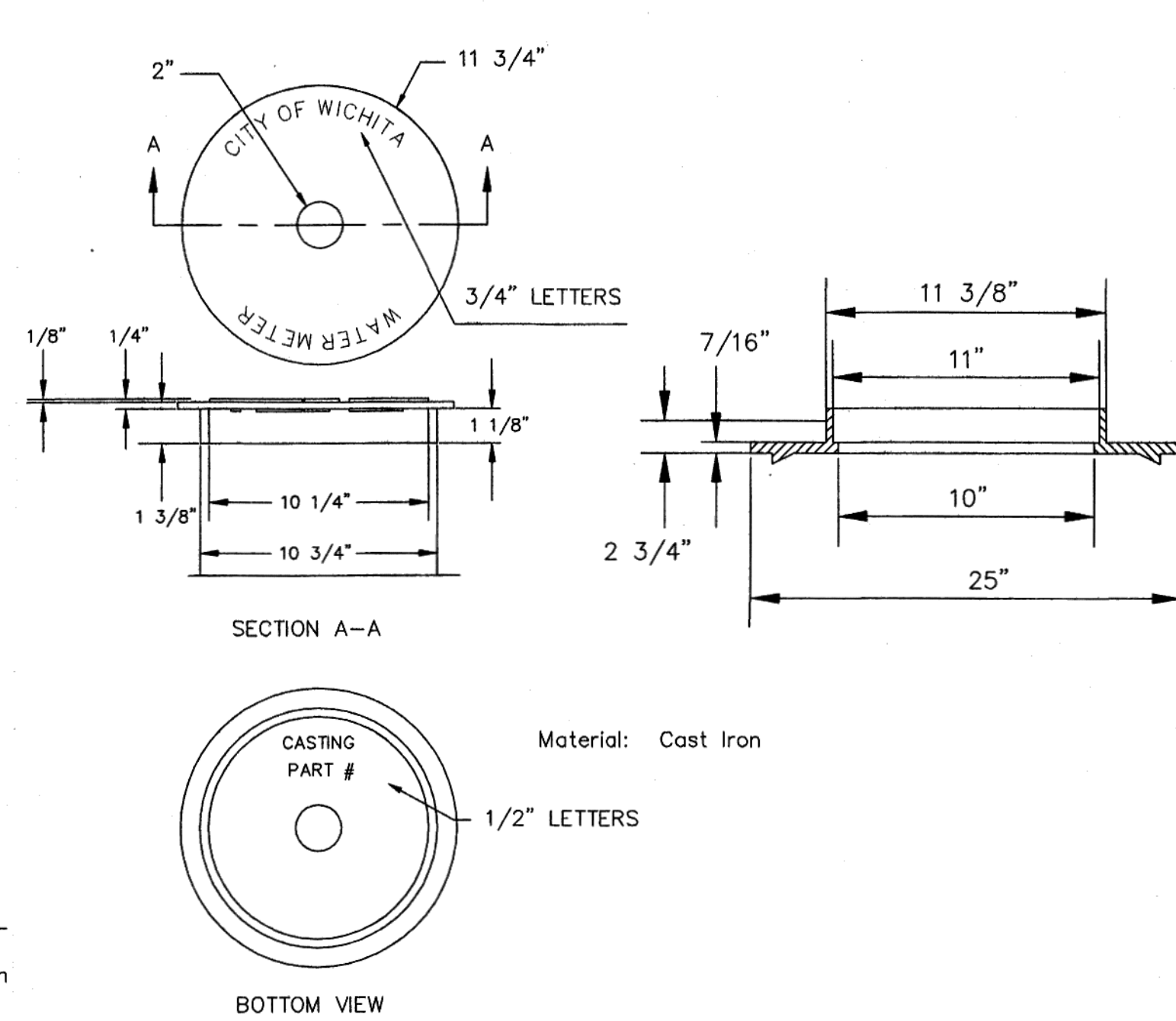


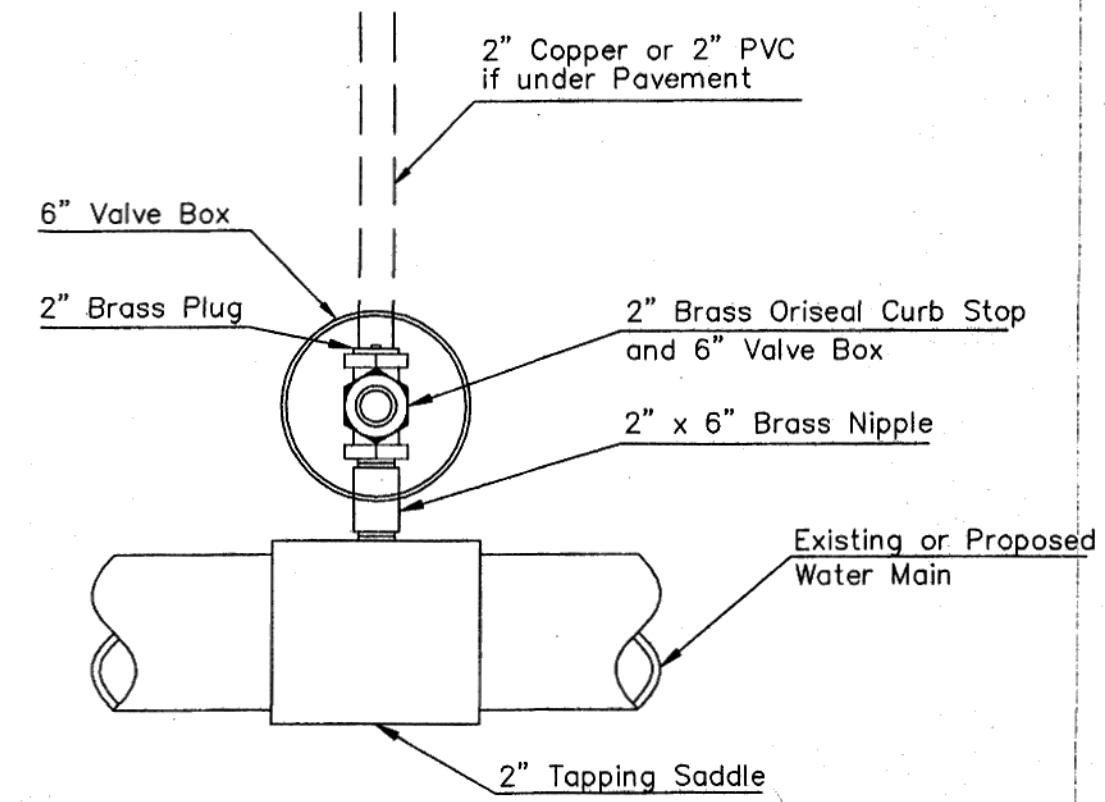
TYPICAL 1" METER SETTING



- 1 - Ø Mueller Thread Corporation Stop
- Ø Type "K" Copper Tubing
- 1 - Ø Copper to Iron Union (Male)
- 1 - Ø Brass Curb Stop (Iron to Iron)
- 2 - Øx4" Brass Nipple
- Air Release
- 2 - Ø Brass Elbows (90°)
- 1 - 1"x6" Brass Nipple
- 1 - 30" Monitor Cover
- 1 - 20" Meter Lid

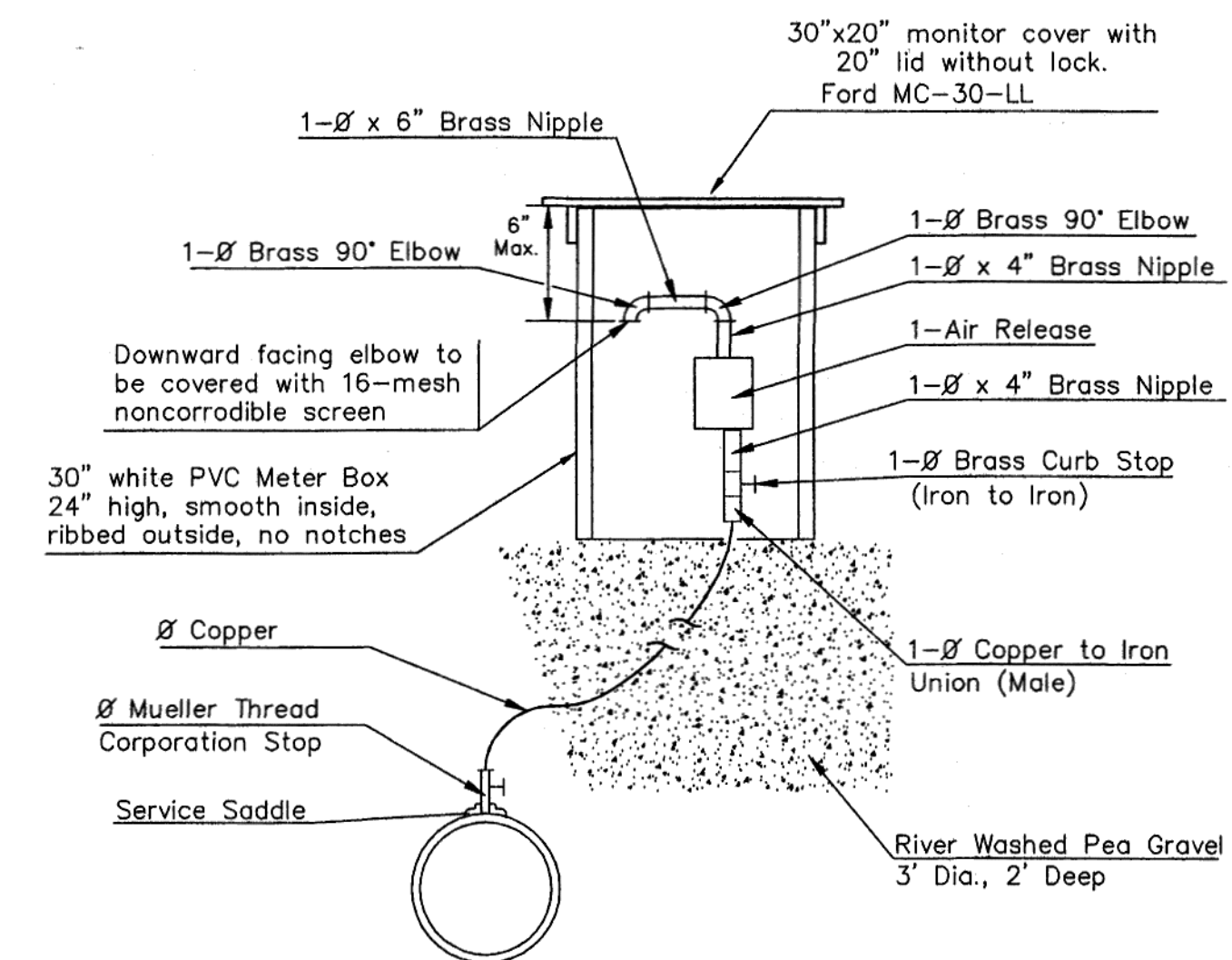
NOTE:

THE 1 1/2" AIR RELEASE ASSEMBLY WILL TYPICALLY BE USED ON WATER MAINS 24" AND SMALLER, AS SPECIFICALLY DESIGNATED IN THE PLANS. COMBINATION AIR RELAEASE ASSEMBLIES WILL BE SPECIFICALLY DESIGNED FOR PROJECTS WITH LARGER MAINS, AND WILL BE INCLUDED IN THE PLANS.

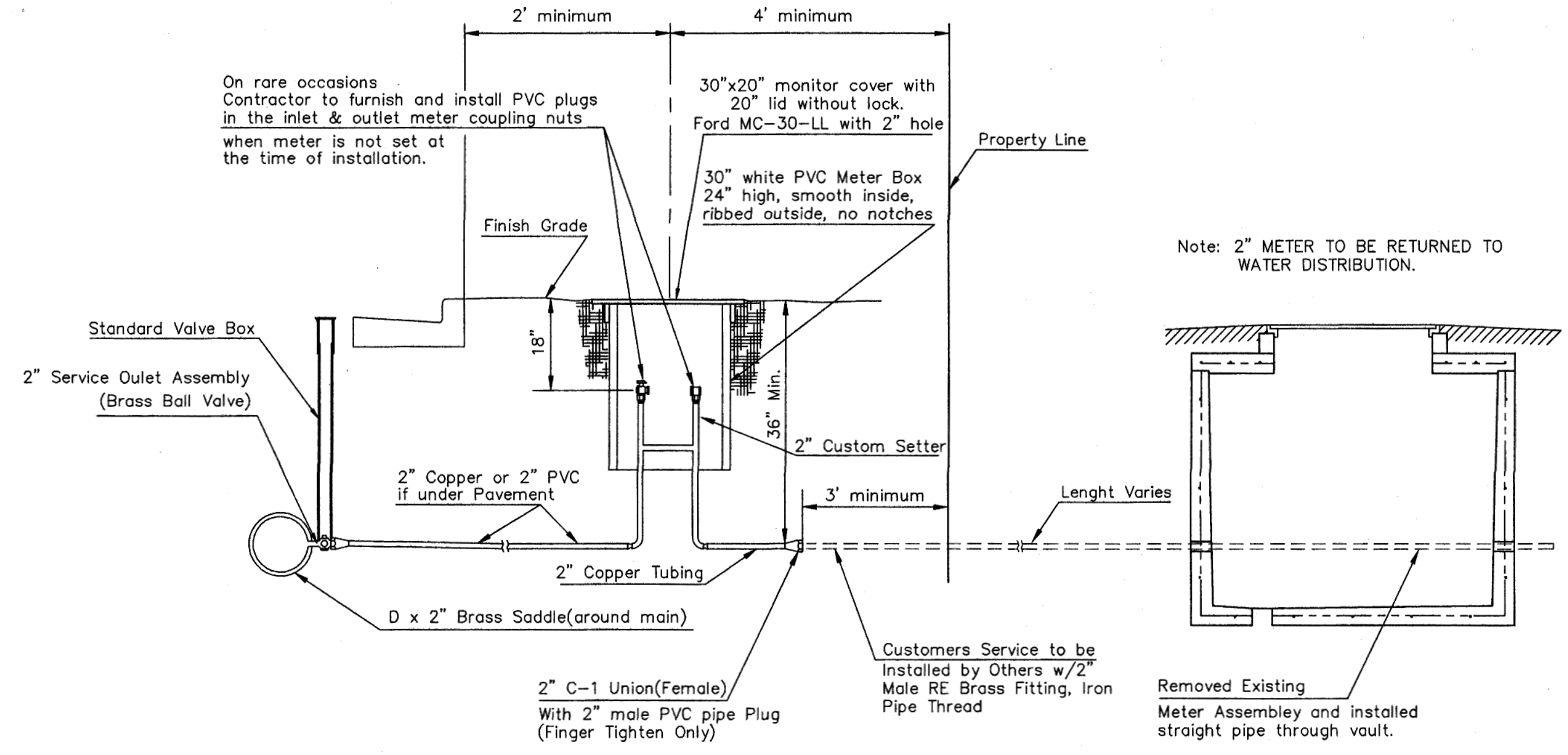


Note: Where the 2" Service Outlet Assembly is to be used to connect a 2" main to another main, the 2" valve shall be a 2" IPT Gate Valve. 2" ball or globe vavies shall not be approved for this use.

2" SERVICE OUTLET ASSEMBLY
TOP VIEW

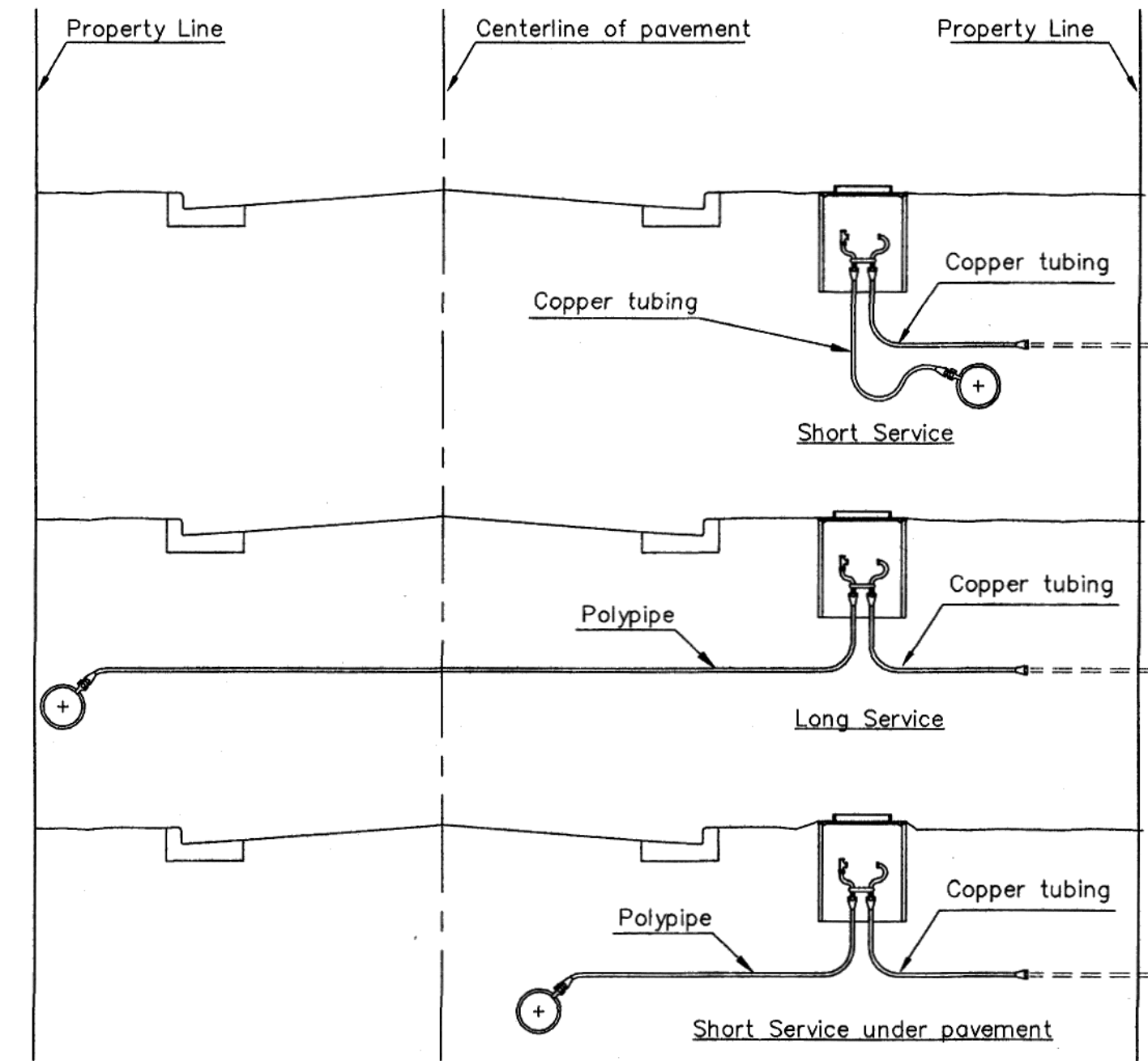


MATERIALS FOR 1" or 2" AIR RELEASE ASSEMBLY
Ø = 1" or 2"



TYPICAL 2" METER SETTING

TYPICAL 2" METER SETTING INVOLVING EXISTING 2" METER VAULT



SERVICE TYPES



STANDARD WATER SERVICE DETAIL		
CITY ENGINEER GARY JANZEN, P.E.		
PROJECT NUMBER 448-90610	OCA NUMBER 635816	DATE SEPT. 2017
CITY ENGINEER'S OFFICE CITY HALL - SEVENTH FLOOR 455 NORTH MAIN STREET WICHITA, KANSAS 67202-1620 (316) 268-4501		SHEET 06 OF 77

j:\Projects\2013\1301010713_COW Eastborough North Water Replace\5-Civil\CAD\Wtr\13713_CD2.dwg

REVISED: JANUARY 2015