

PLOTTED: Friday, September 29, 2017 10:23AM

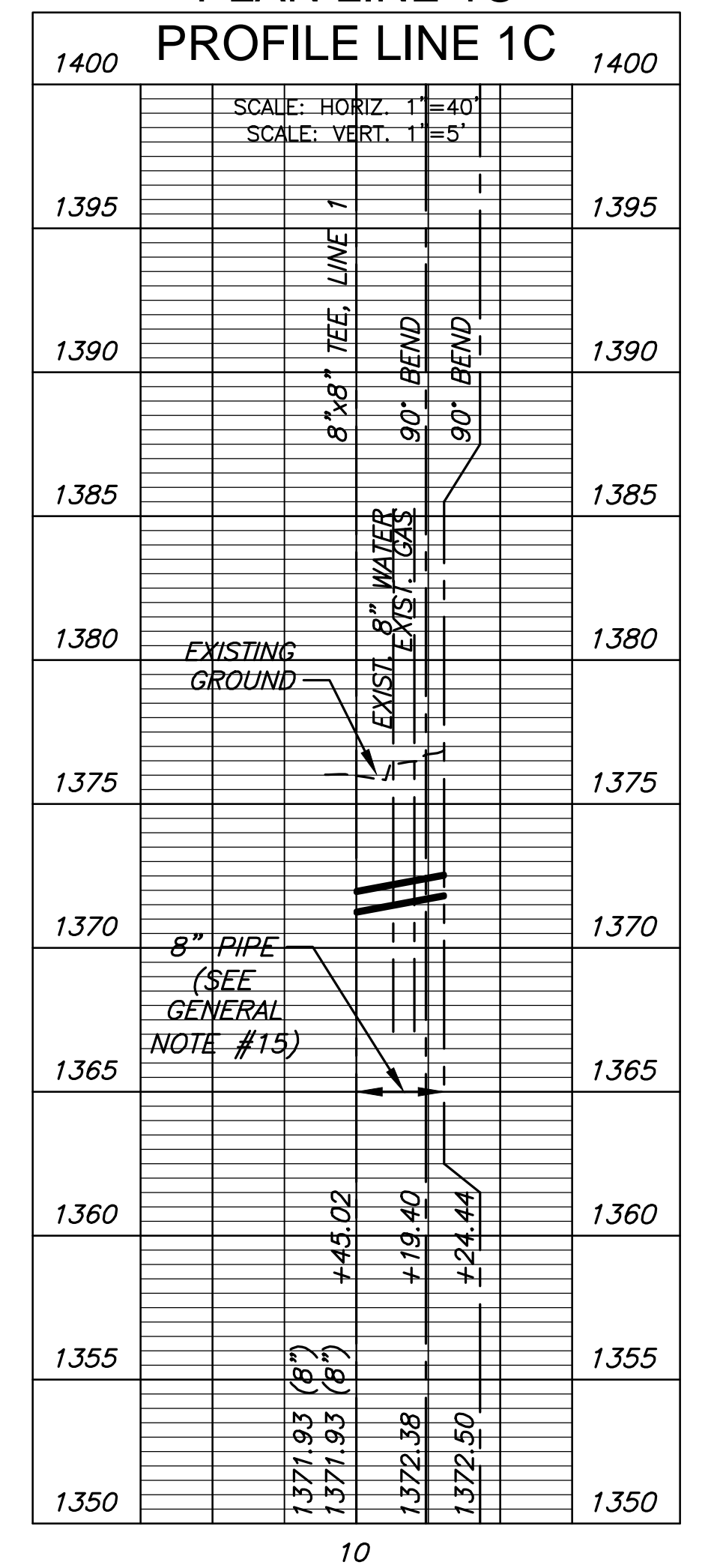
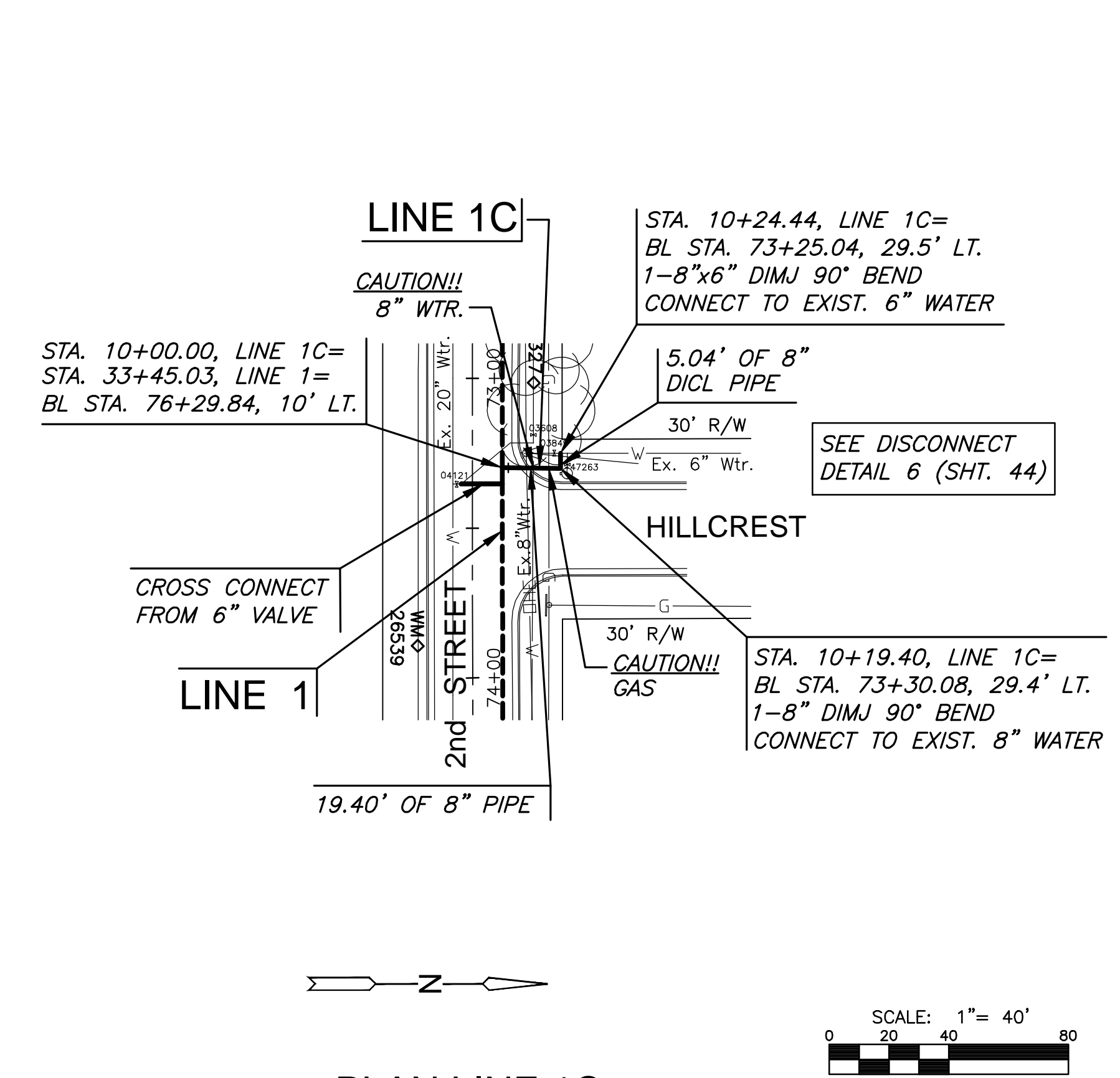
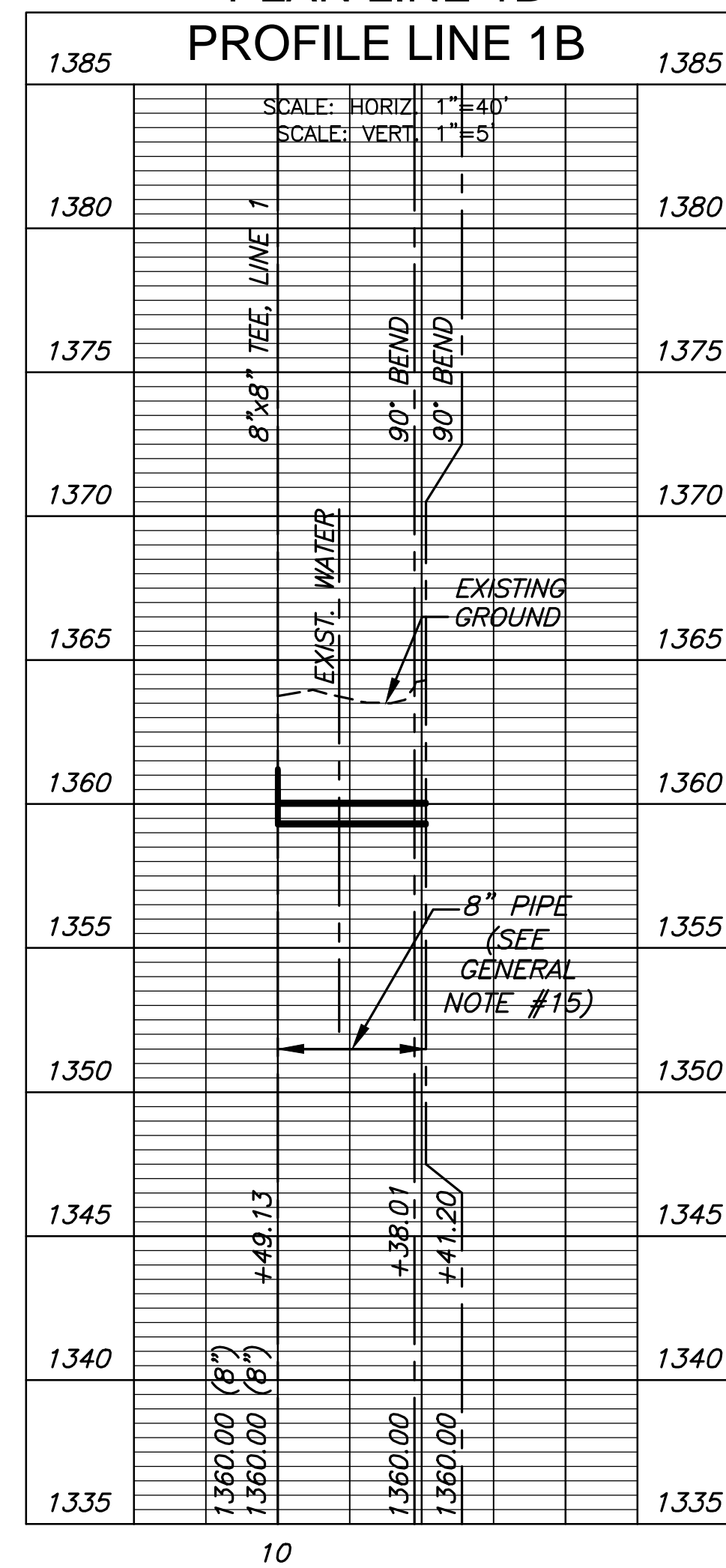
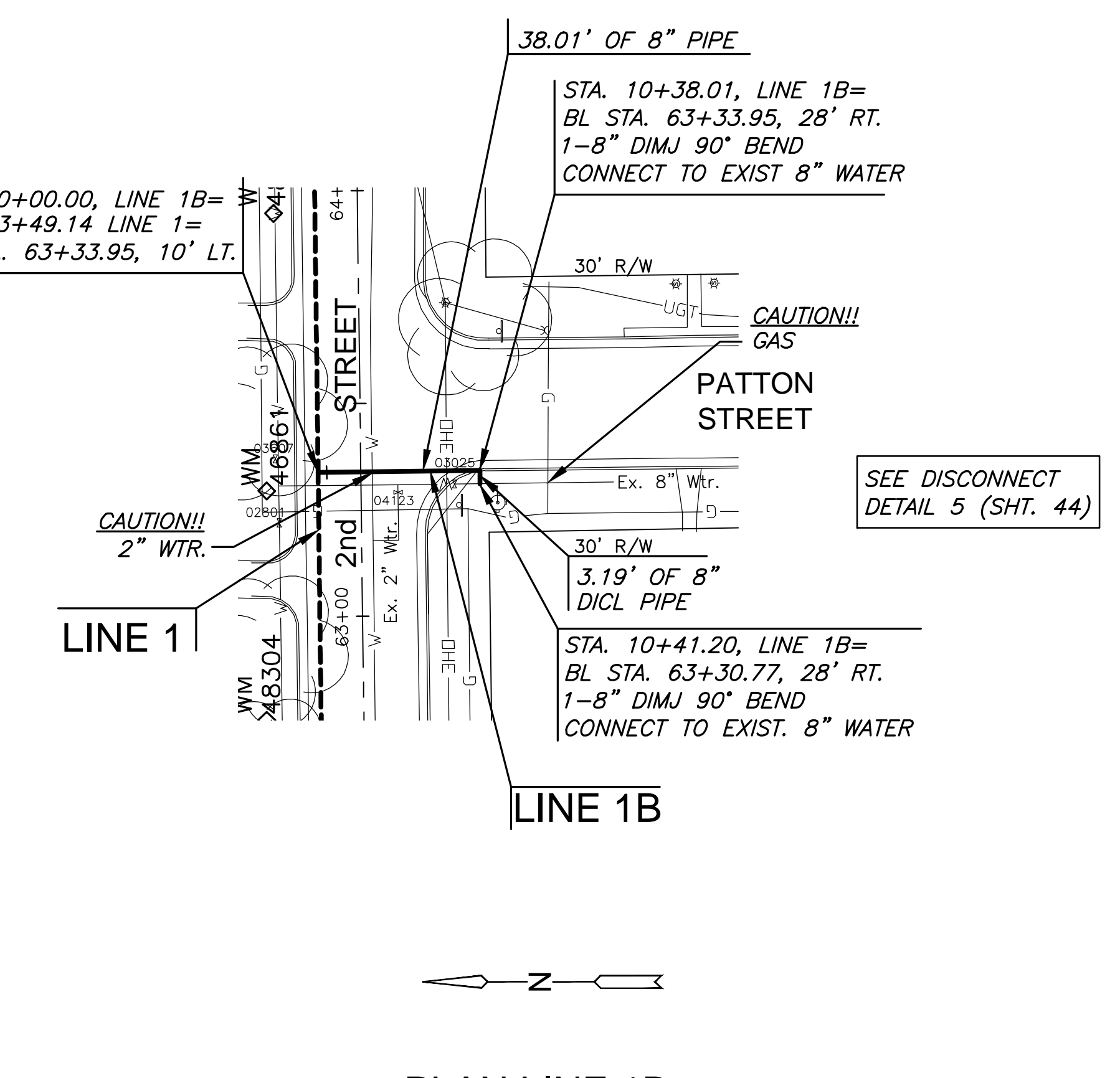
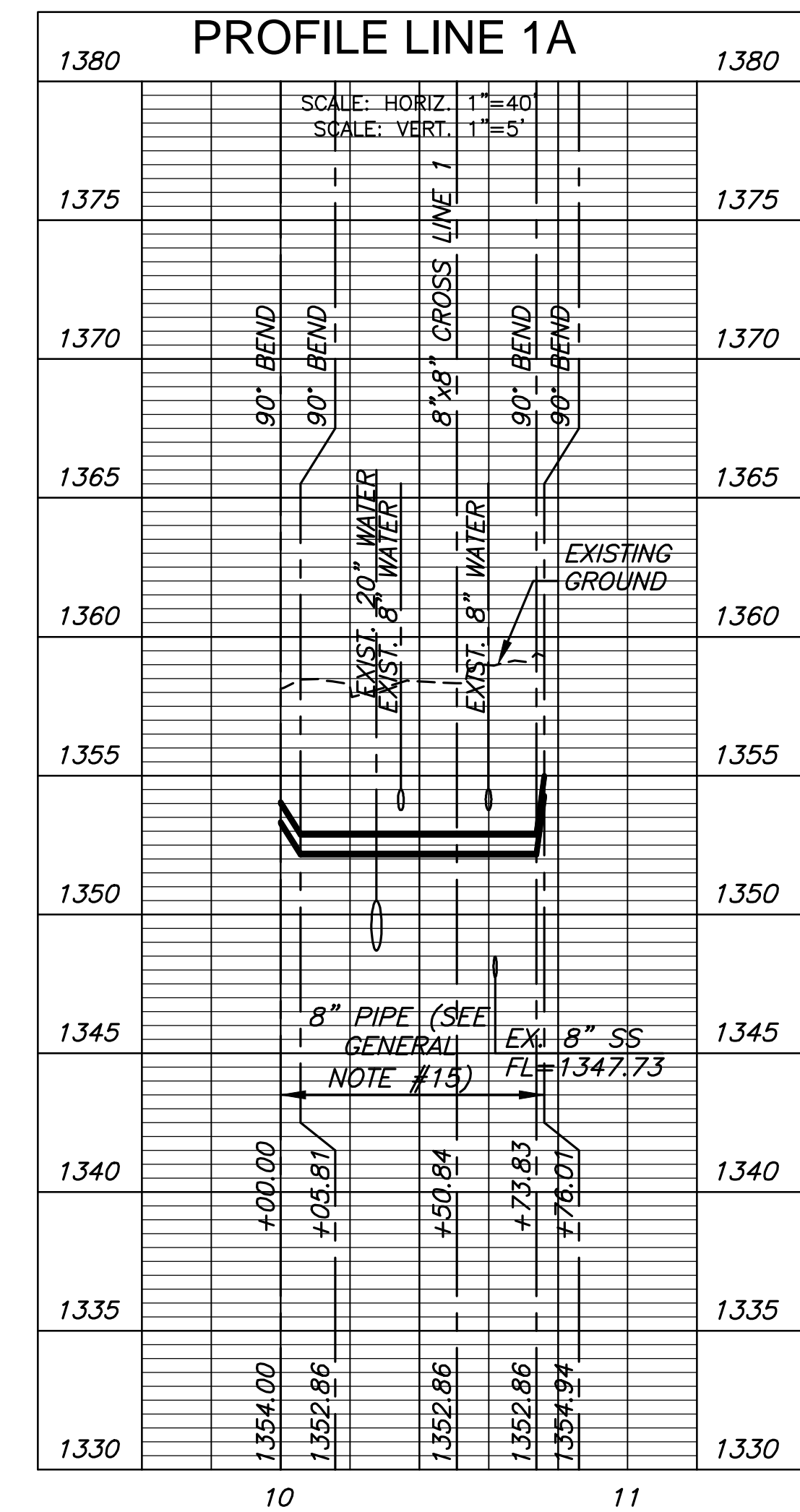
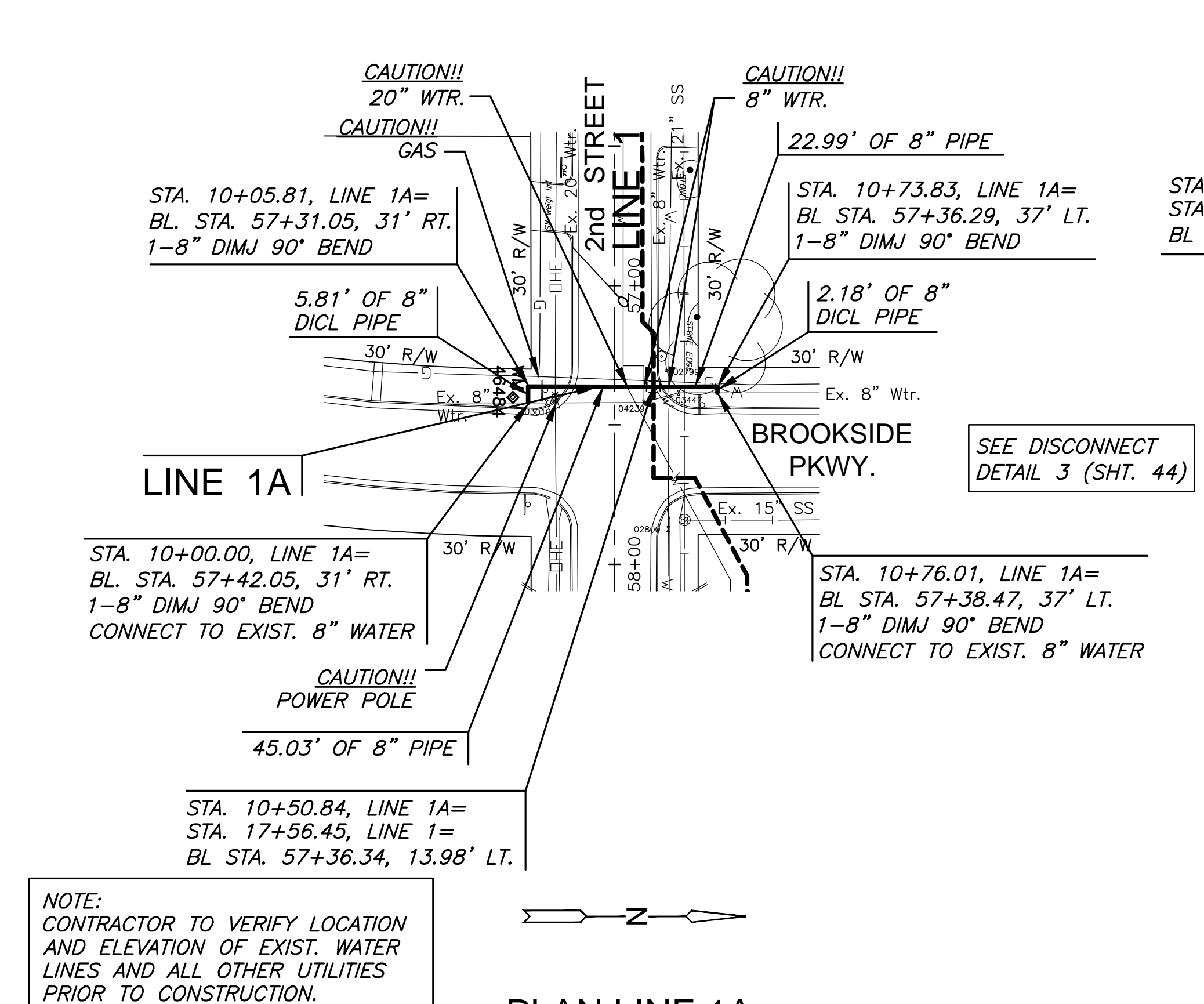


WATER LINE REPLACEMENT PLANS
EASTBOROUGH NORTH
DESIGN



©2013 MKEC Engineering All Rights Reserved
www.mkec.com
These drawings and their contents, including, but not limited to, all concepts, designs, & ideas are the exclusive property of MKEC Engineering (MKEC), and may not be used or reproduced in any way without the express consent of MKEC.

LINES 1A-1C	
PROJECT NO.	448-90610
DATE	SEPT. 2017
SCALE	AS SHOWN
DESIGNED	DRAWN
JTC	DM
CHECKED	JRA
NO.	REVISION
SHEET NO.	13 OF 77



J:\PROJECTS\2013\301010713_COW_EASTBOROUGH_NORTH_WATER_REPLACE\CAD\DWG\LINES 1A-1C.DWG