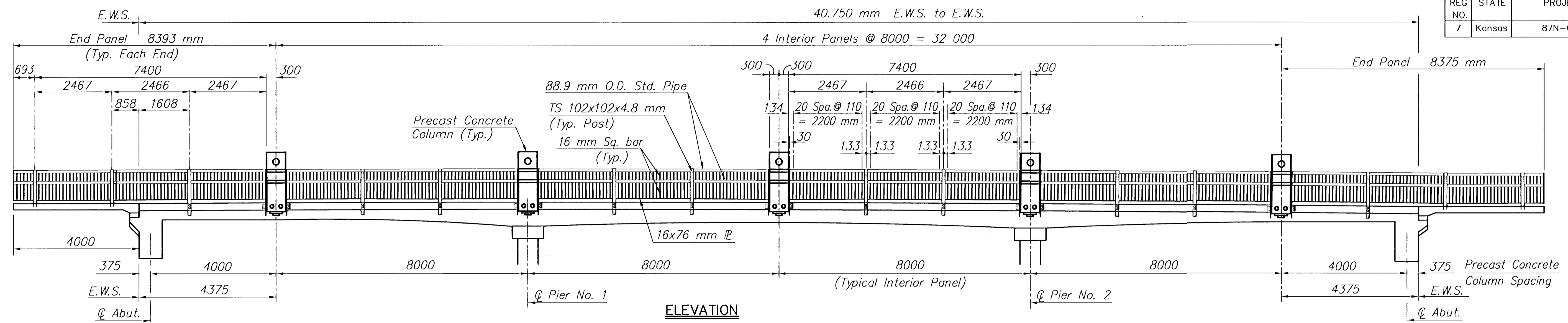
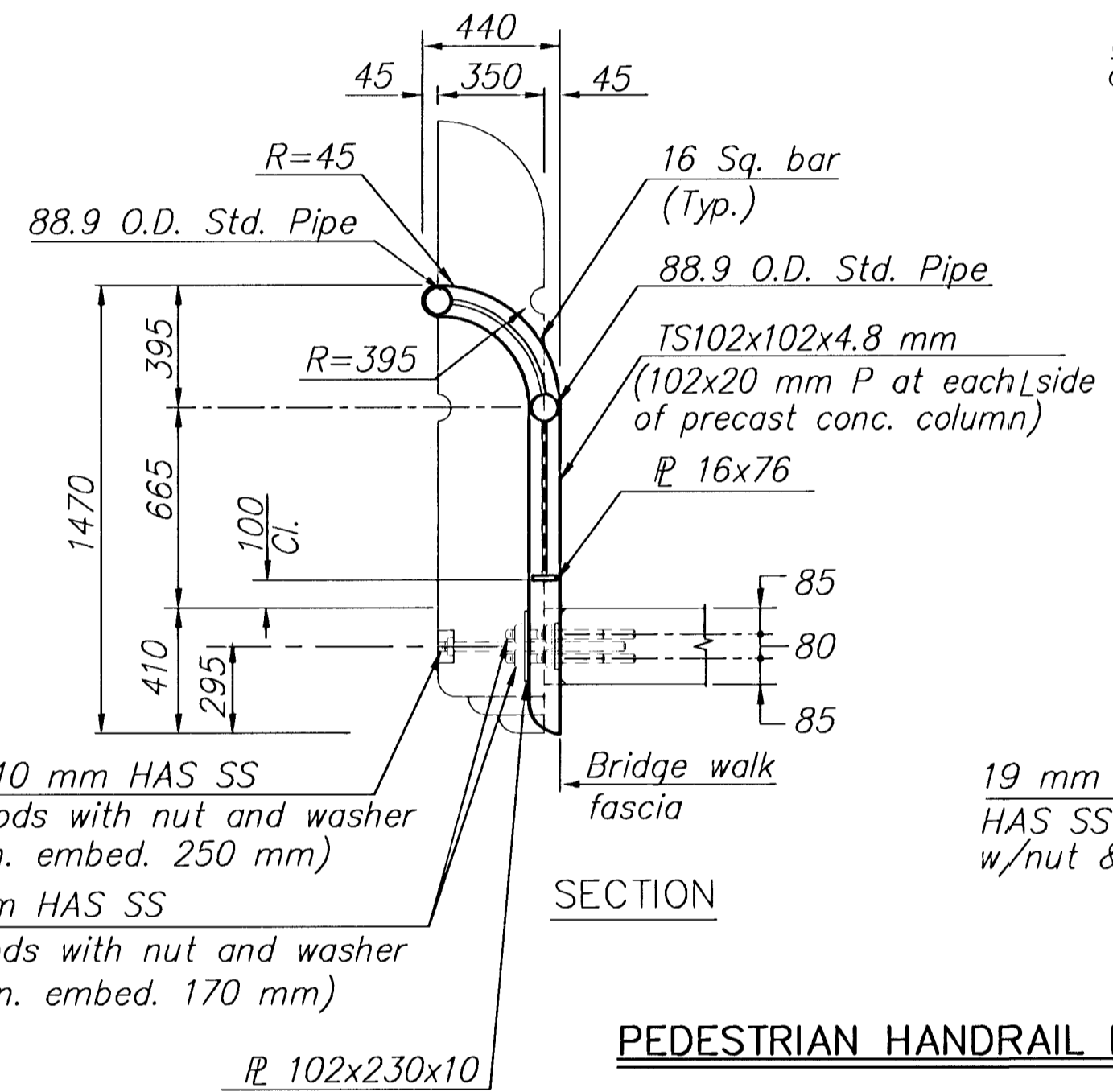


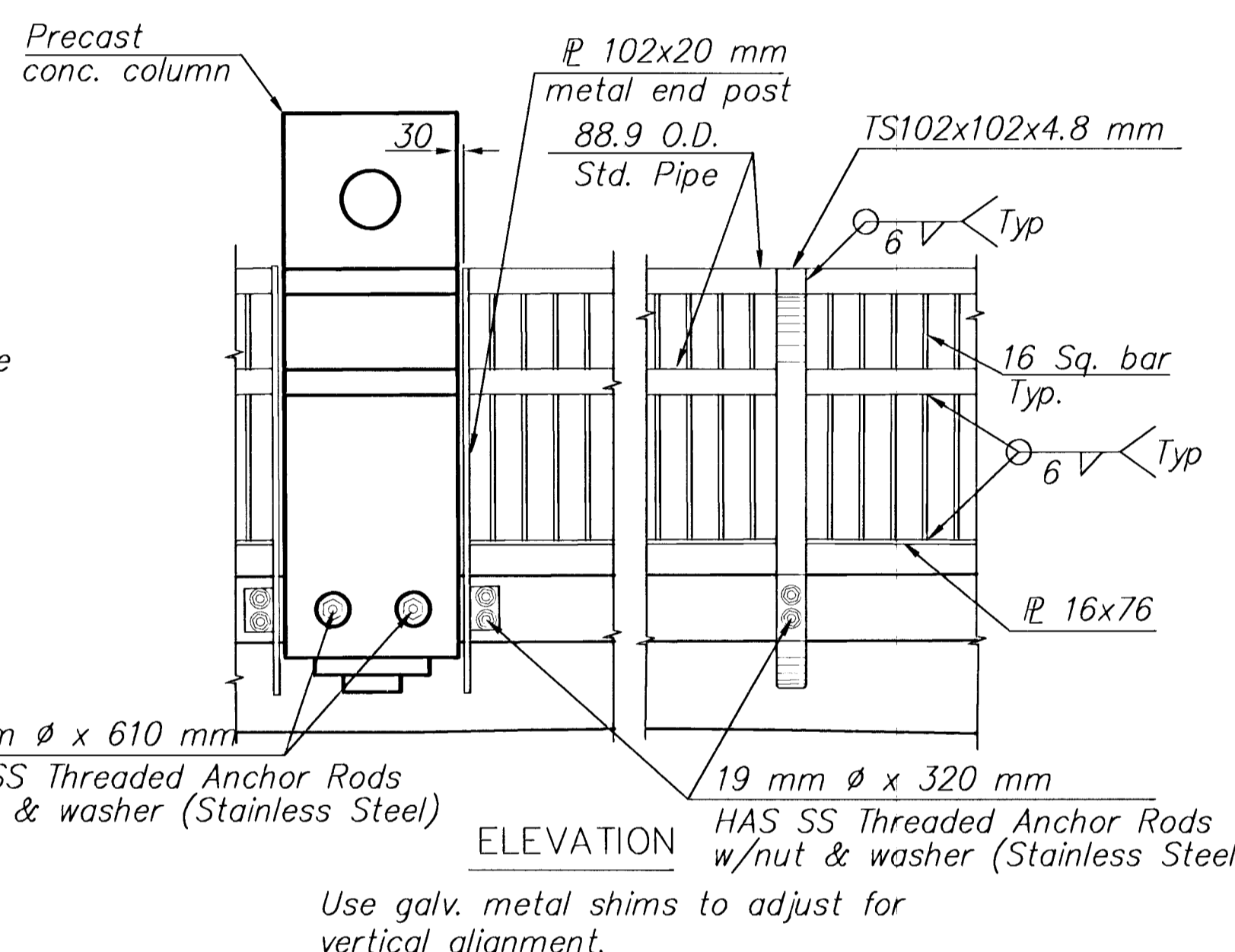
| | | | | | |
|--------------|--------|-------------|------|----------|--------------|
| FHWA REG NO. | STATE | PROJECT NO. | YEAR | SHEET NO | TOTAL SHEETS |
| 7 | Kansas | 87N-0195-01 | 2001 | 37 | 127 |



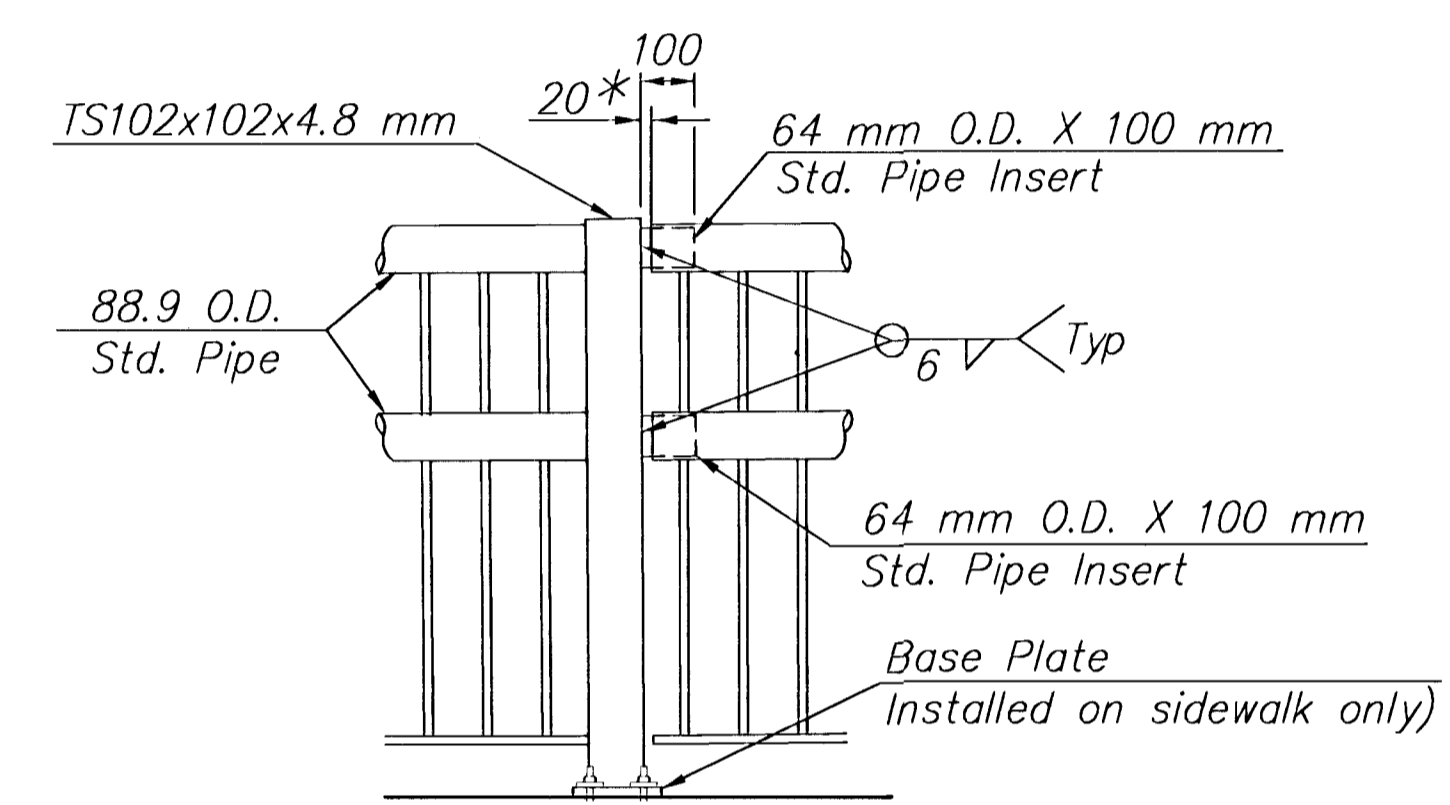
ELEVATION



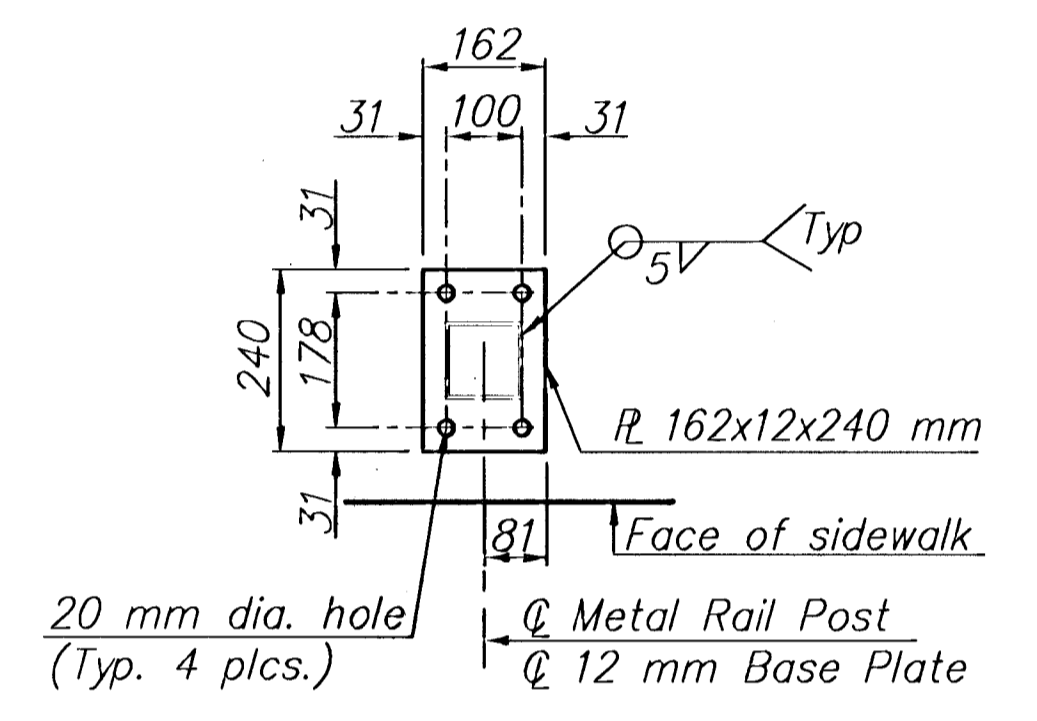
PEDESTRIAN HANDRAIL DETAIL



ELEVATION



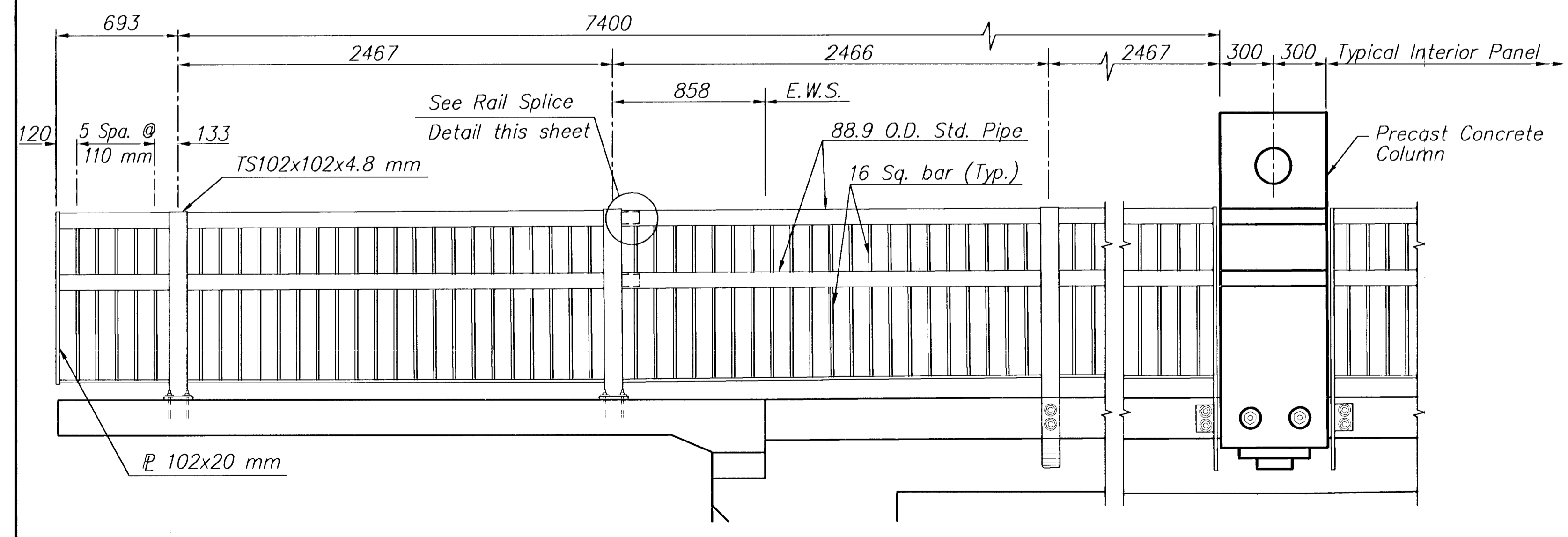
RAIL SPLICE DETAIL



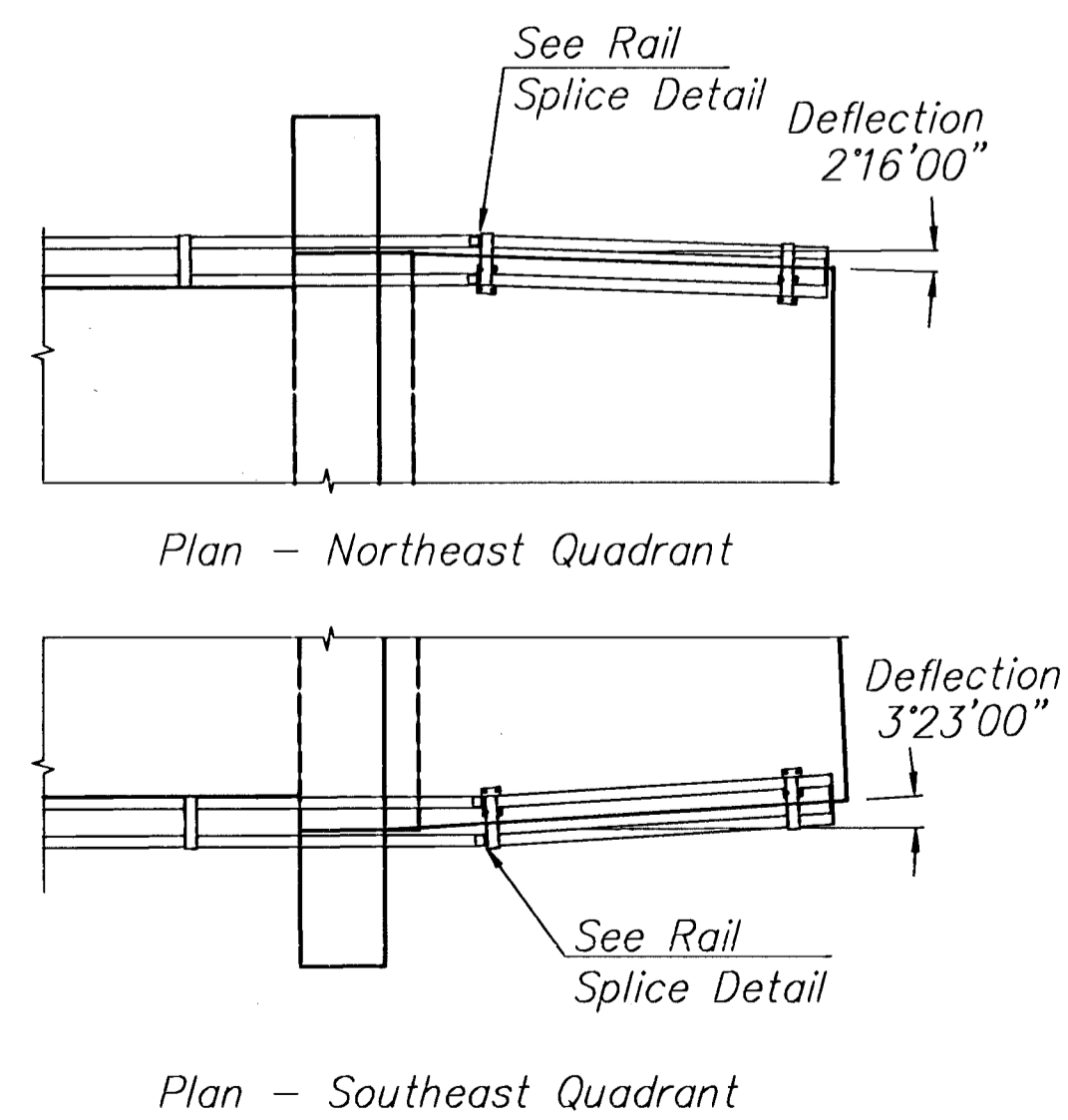
BASE PLATE DETAIL

NOTES:

1. The plate and bar rail members shall conform to ASTM A36 M. The tubular rail members shall conform to ASTM A53, Type E or S, Gr. B. The tubing for the posts shall conform to ASTM A500, Gr. B.
2. Rail shall be fabricated in lengths to include a minimum of two and a maximum of three panels. Posts shall be set vertical. Shims may be used between concrete and base plates of posts.
3. All parts of handrail shall be painted. The primer coat shall conform to the inorganic Zinc System. Surface preparation shall be in accordance with that for structural steel. The finish coat color shall be black. A waterborne acrylic paint system shall be used for the finish coat.
4. All material, equipment and labor necessary for the installation of the bridge and sidewalk handrail shall be subsidiary to the bid item, "Bridge Handrail (Steel)".



HANDRAIL END PANEL



HANDRAIL END PANEL LAYOUT

SRB 924 NORTH MAIN WICHITA, KANSAS 67203 316-284-8008 FAX 284-4821
SAVOY, RUGGLES & BOHM, P. A.
 ENGINEERING & SURVEYING

MKEC ENGINEERING CONSULTANTS
 411 N. WEBB ROAD WICHITA, KS. 67206 316-684-9600

MAPLE STREET BRIDGE (OVER CALFSKIN CREEK)
 PROJECT NAME

PEDESTRIAN BRIDGE HANDRAIL
 SHEET TITLE

KJS DESIGN BY: **DPG** DRAWN BY: **MDK** CHECKED BY:
 NOVEMBER 2001 DATE: **00142PED** DRAWING NAME: **37 / 127** SHEET / OF

H:\CVL\10142\BRIDGE\00142PED.DWG Wed Nov 21 11:58:03 2001

H:\CVL\10142\BRIDGE\00142PED.DWG