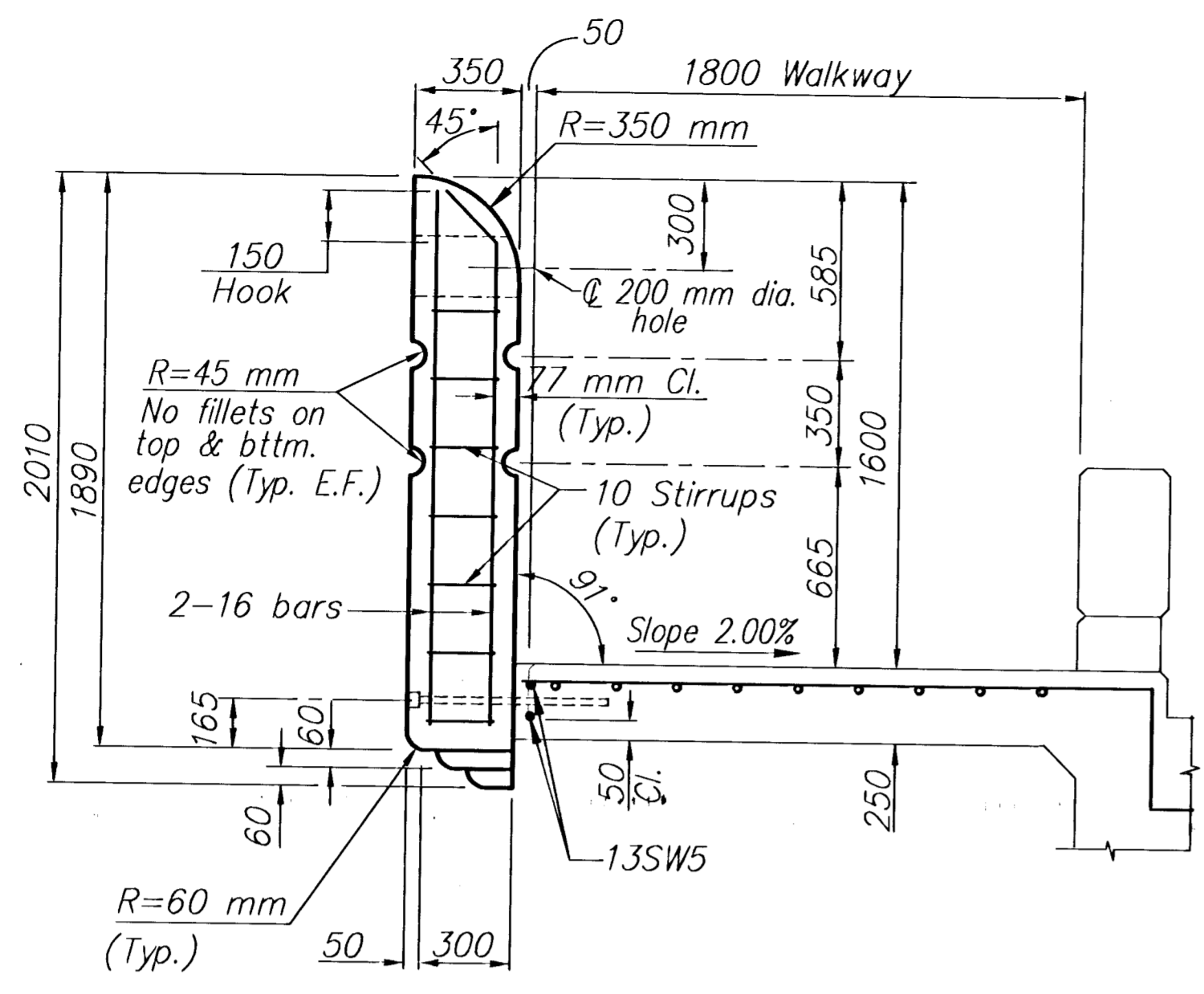
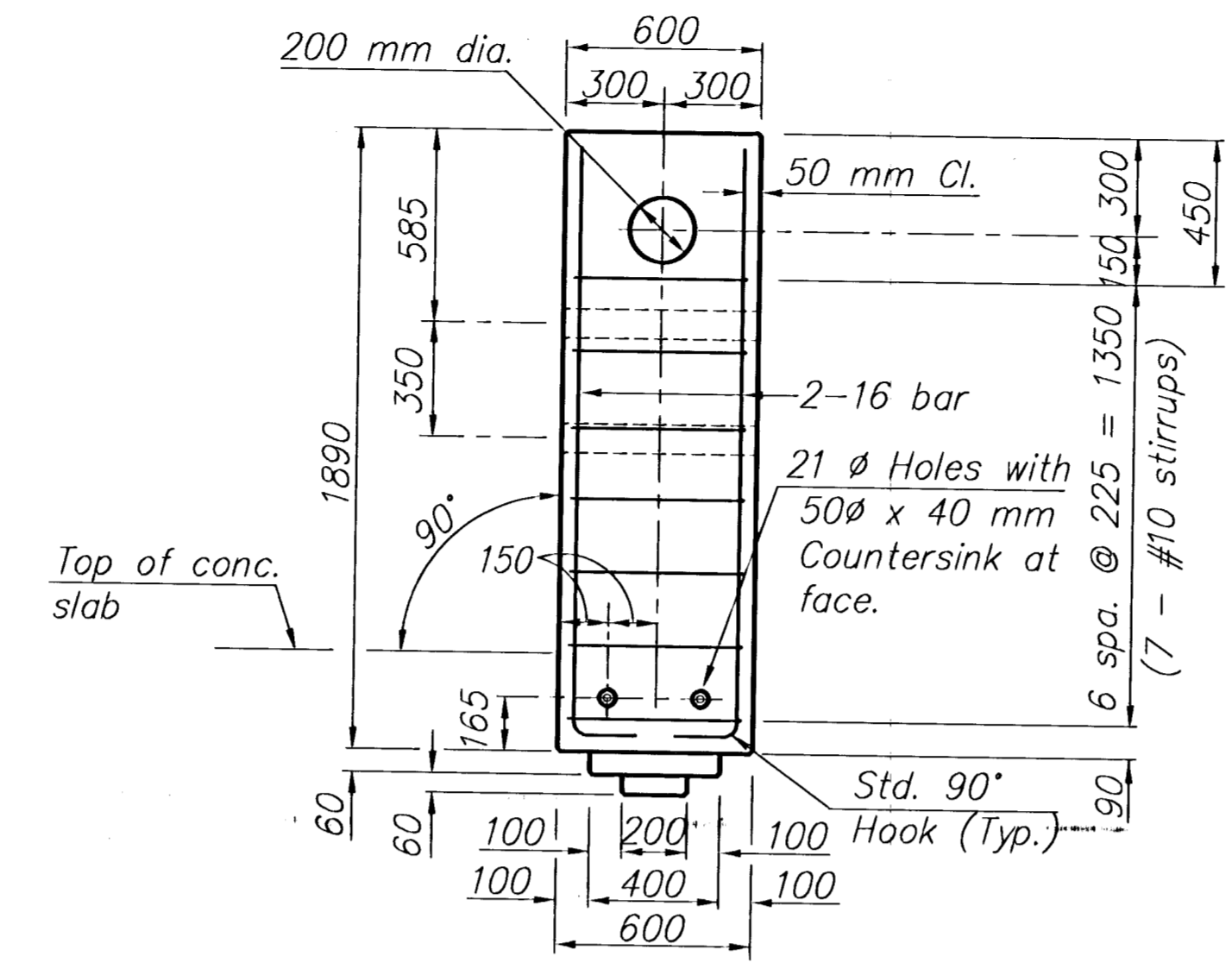


FHWA REG. NO.	STATE	PROJECT NO.	YEAR	SHEET NO.	TOTAL SHEETS
7	Kansas	87N-0195-01	2001	37A	127

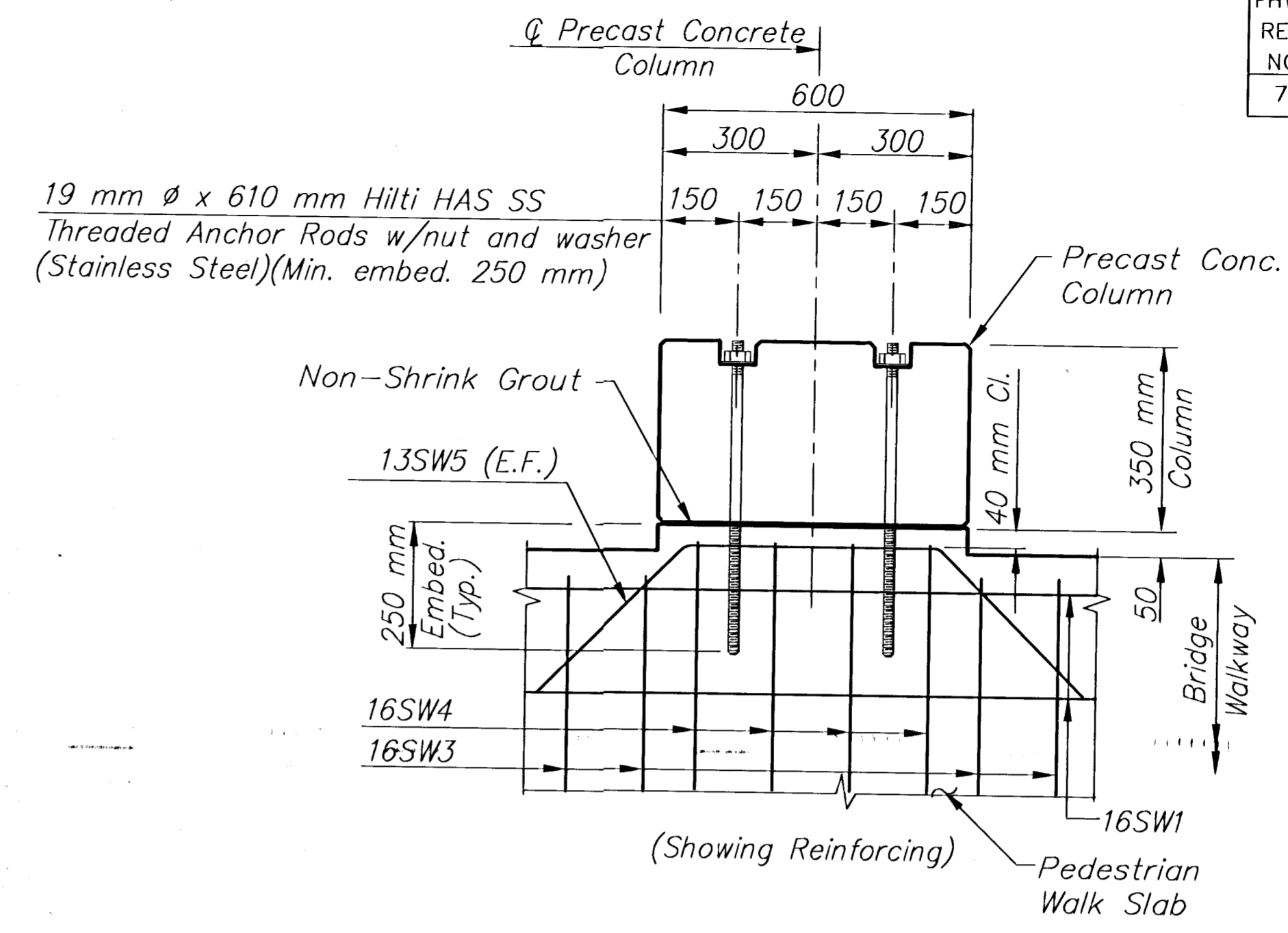


SECTION

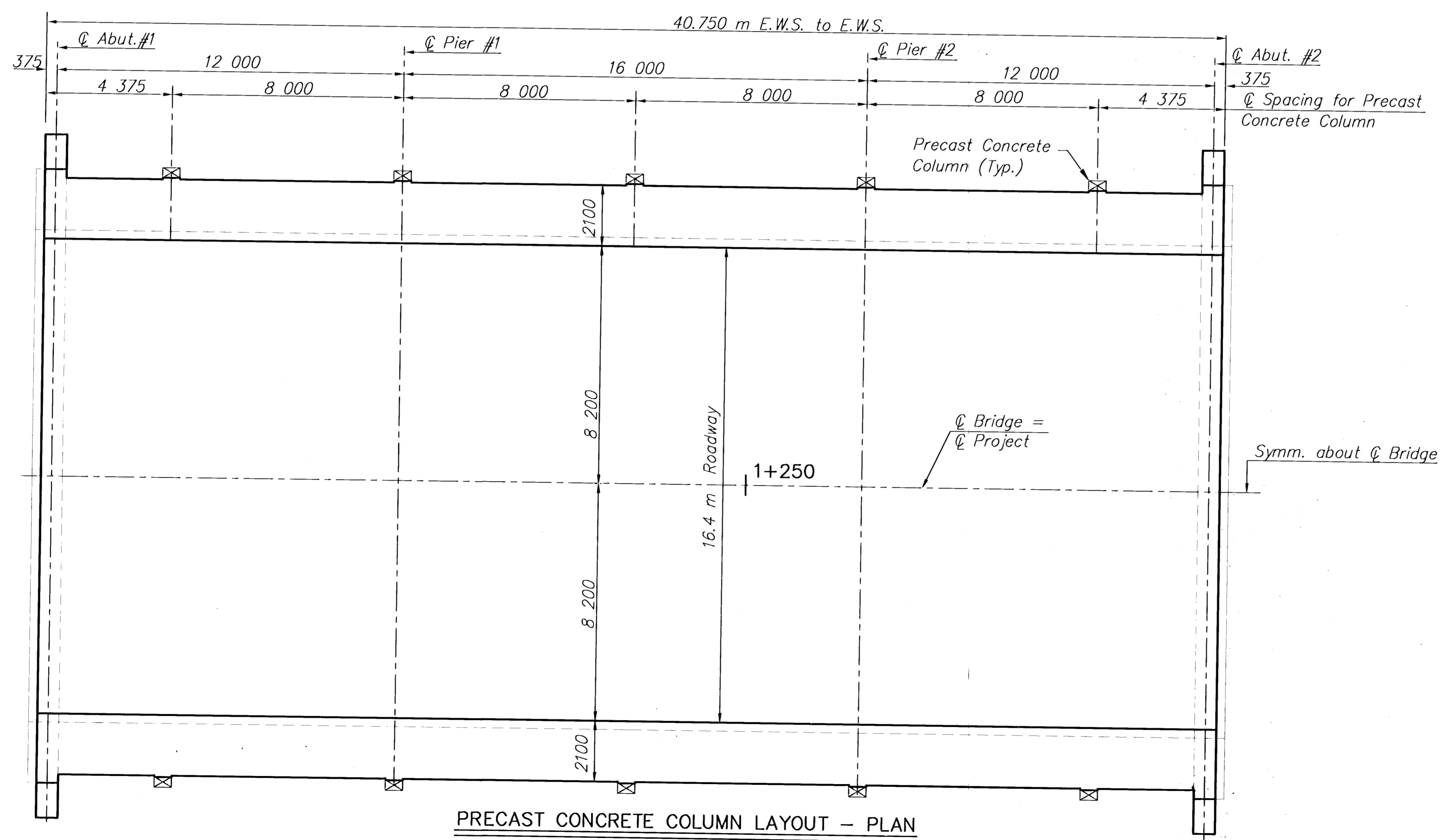


ELEVATION

PRECAST CONCRETE COLUMN DETAIL



PRECAST CONC. COLUMN PLAN



PRECAST CONCRETE COLUMN LAYOUT - PLAN

NOTE:

1. The Precast Concrete Columns shall be installed following a minimum of 14 days after the sidewalks have been cast.
2. All exposed surfaces of the Precast Concrete Columns shall receive a Concrete Masonry Coating.
3. Use 9 mm fillet on all concrete edges of the Precast Concrete Column except as noted.
4. Use galvanized metal shims to adjust vertical alignment of precast columns. Fill void with non-shrink grout between column and sidewalk.
5. Use Hilti HVA adhesive anchoring system with Hilti HAS SS threaded anchor rods or equal. Minimum embedment of Precast Concrete Column anchors is 250 mm.



	924 NORTH MAIN WICHITA, KANSAS 67203	316-264-8008 FAX 264-4621
	SAVOY, RUGGLES & BOHM, P. A. ENGINEERING & SURVEYING	
	MAPLE STREET BRIDGE (OVER CALFSKIN CREEK) PROJECT NAME	
	MISCELLANEOUS BRIDGE DETAILS SHEET TITLE	
MDK DESIGN BY:	DPG DRAWN BY:	MDK CHECKED BY:
NOVEMBER 2001 DATE	00142PE2 DRAWING NAME	37A / 127 SHEET OF

H:\ACTIVL\00142\BRIDGE\00142PE2.DWG Wed Nov 21 11:56:45 2001

H:\ACTIVL\00142\BRIDGE\00142PE2.DWG