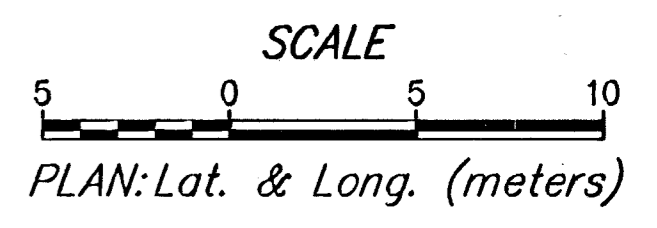
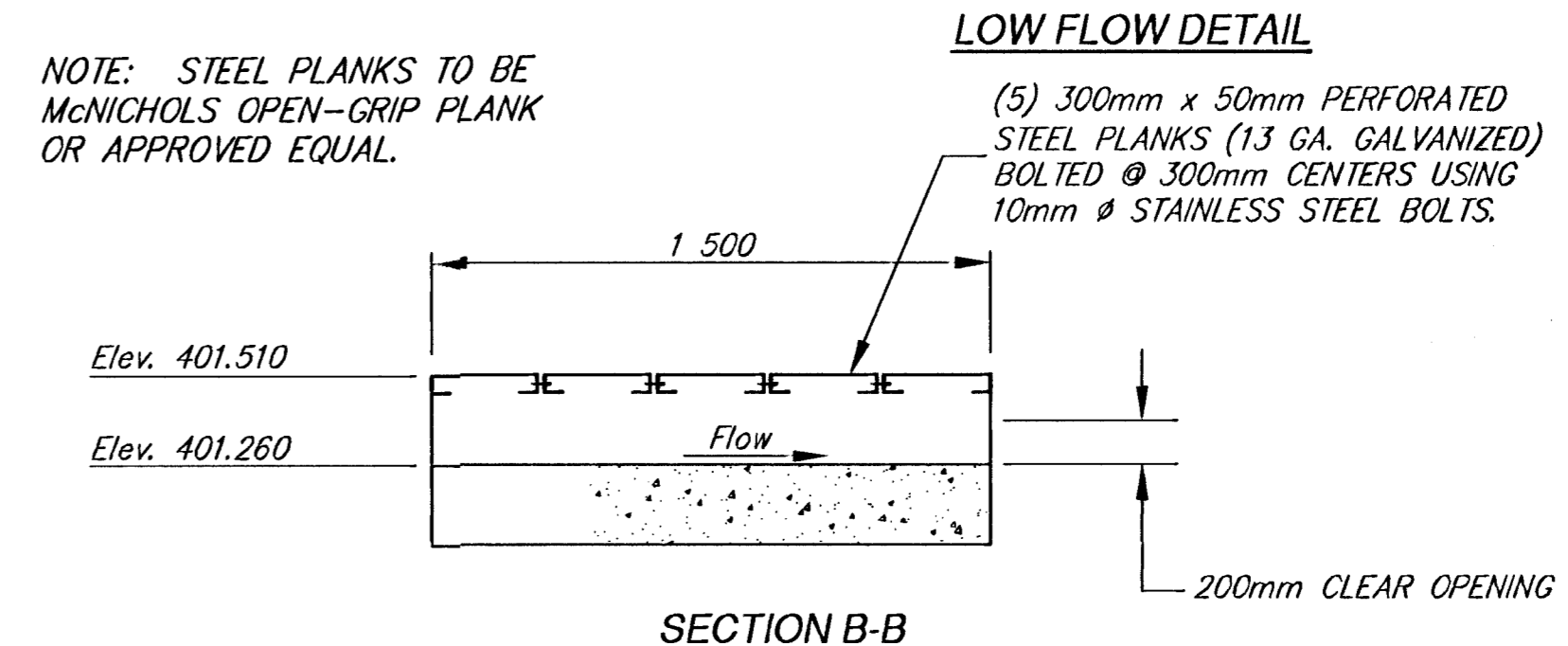
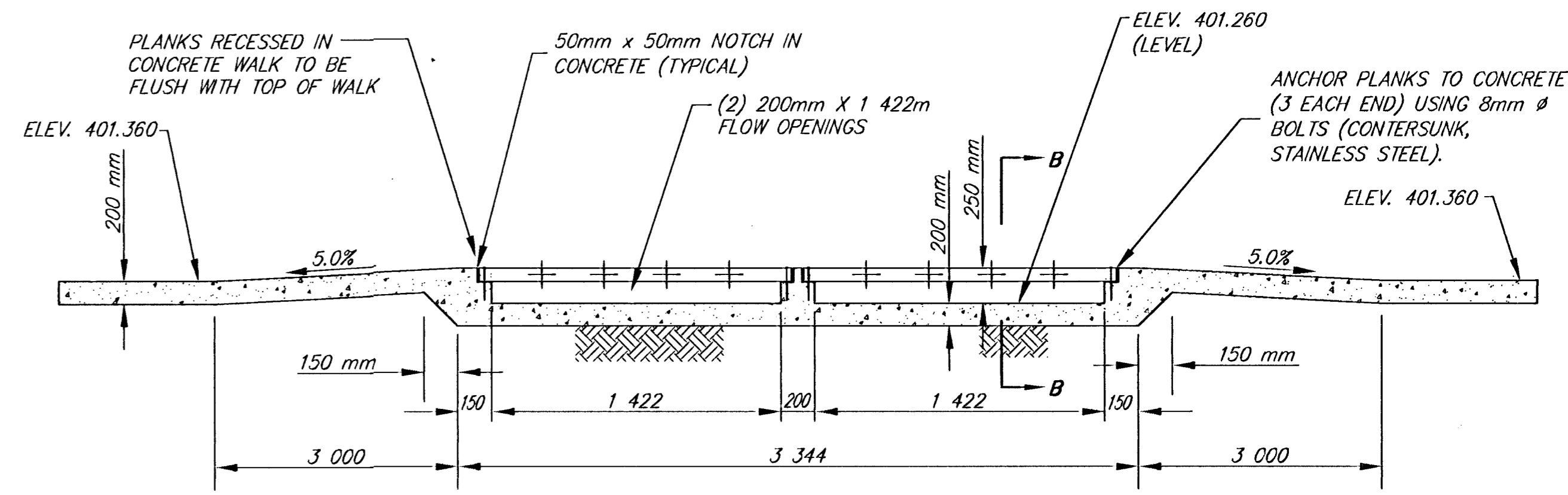
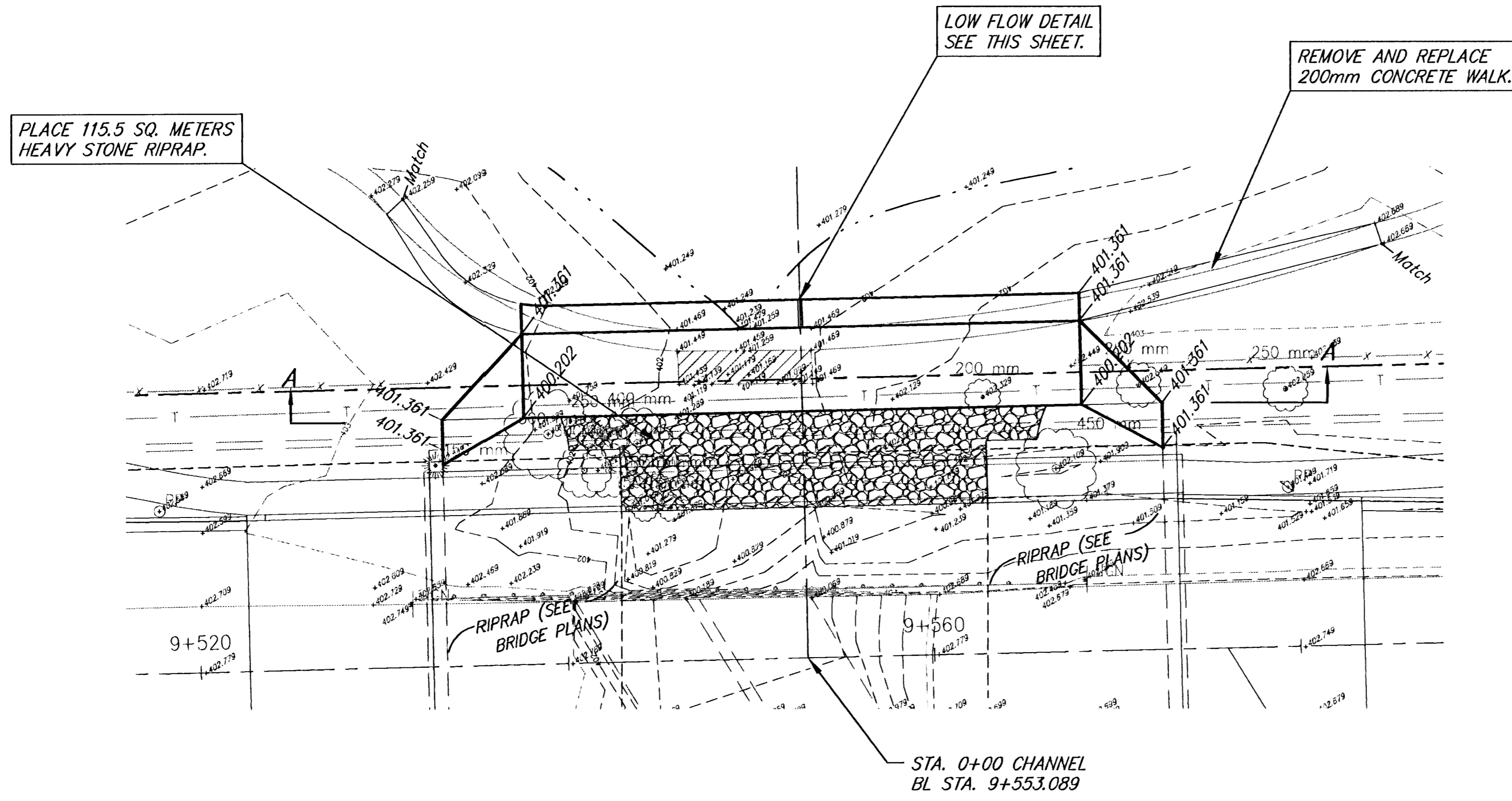


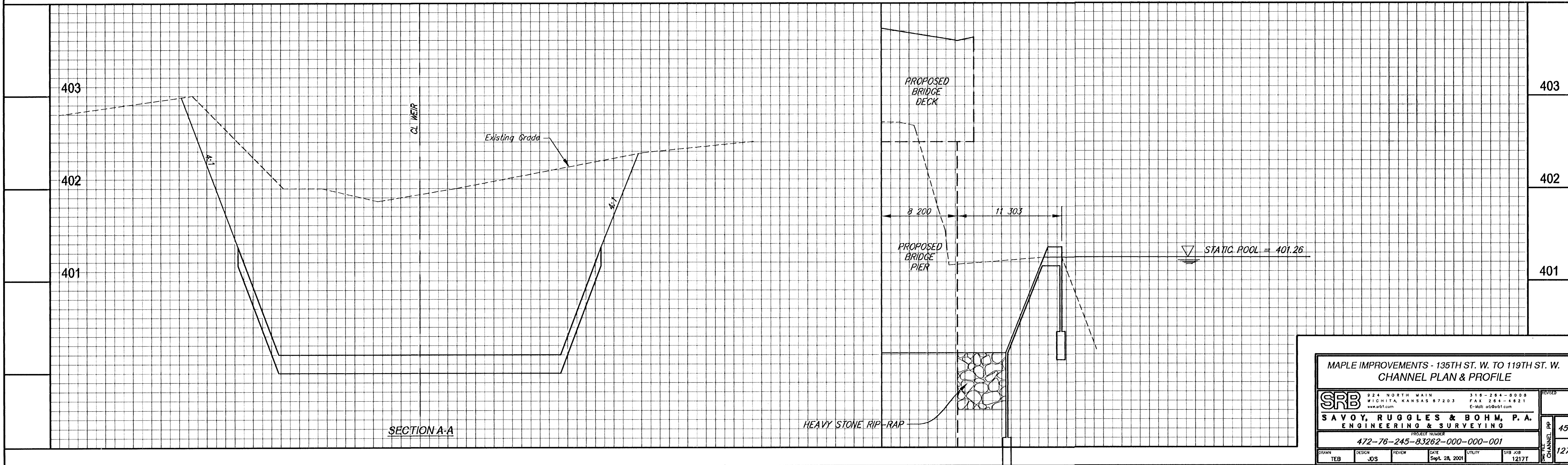
FHWA REGION NO.	STATE	PROJECT NUMBER	FISCAL YEAR	SHEET NUMBER	TOTAL SHEETS
7	KANSAS	87N-0195-01	2001	45	127

BY	DATE

REFERENCES NOTED	REFERENCES CHECKED



SEE WEIR DETAIL, SHEET 46.



MAPLE IMPROVEMENTS - 135TH ST. W. TO 119TH ST. W.  
CHANNEL PLAN & PROFILE

**SRB** 324 NORTH MAIN WICHITA, KANSAS 67203 318-264-8008  
FAX 318-264-4921 www.srb.com E-Mail: ar@srbi.com

**SAVOY, RUOLES & BOHM, P.A.**  
ENGINEERING & SURVEYING

PROJECT NUMBER: 472-76-245-83262-000-000-001

DATE: Sept. 28, 2001

DESIGN: JDS REVIEW: [ ] UTILITY: [ ] SRB JOB: 1217T

REVISION: [ ]

CHANNEL PLAN: 45  
CHANNEL P.P.: 127