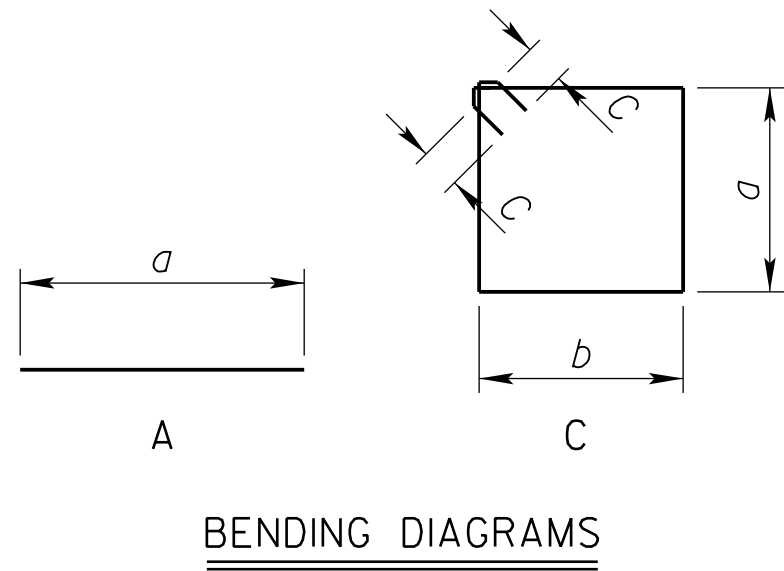
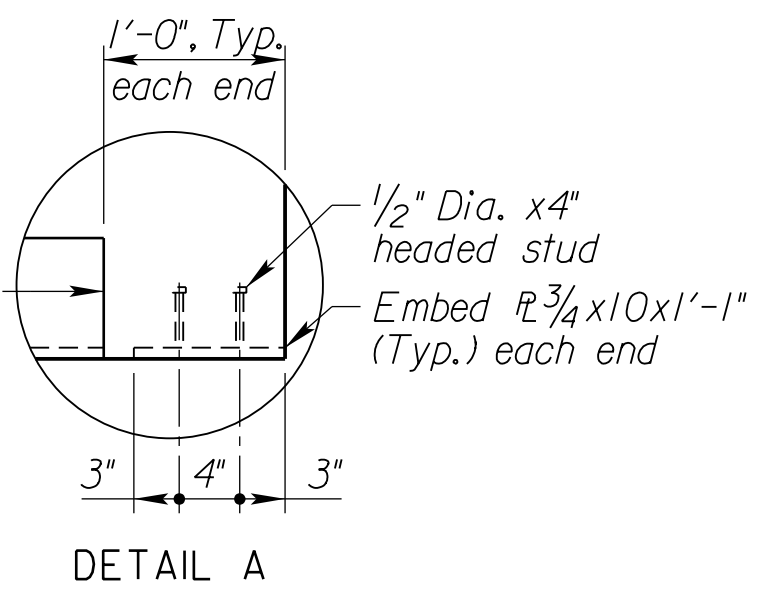
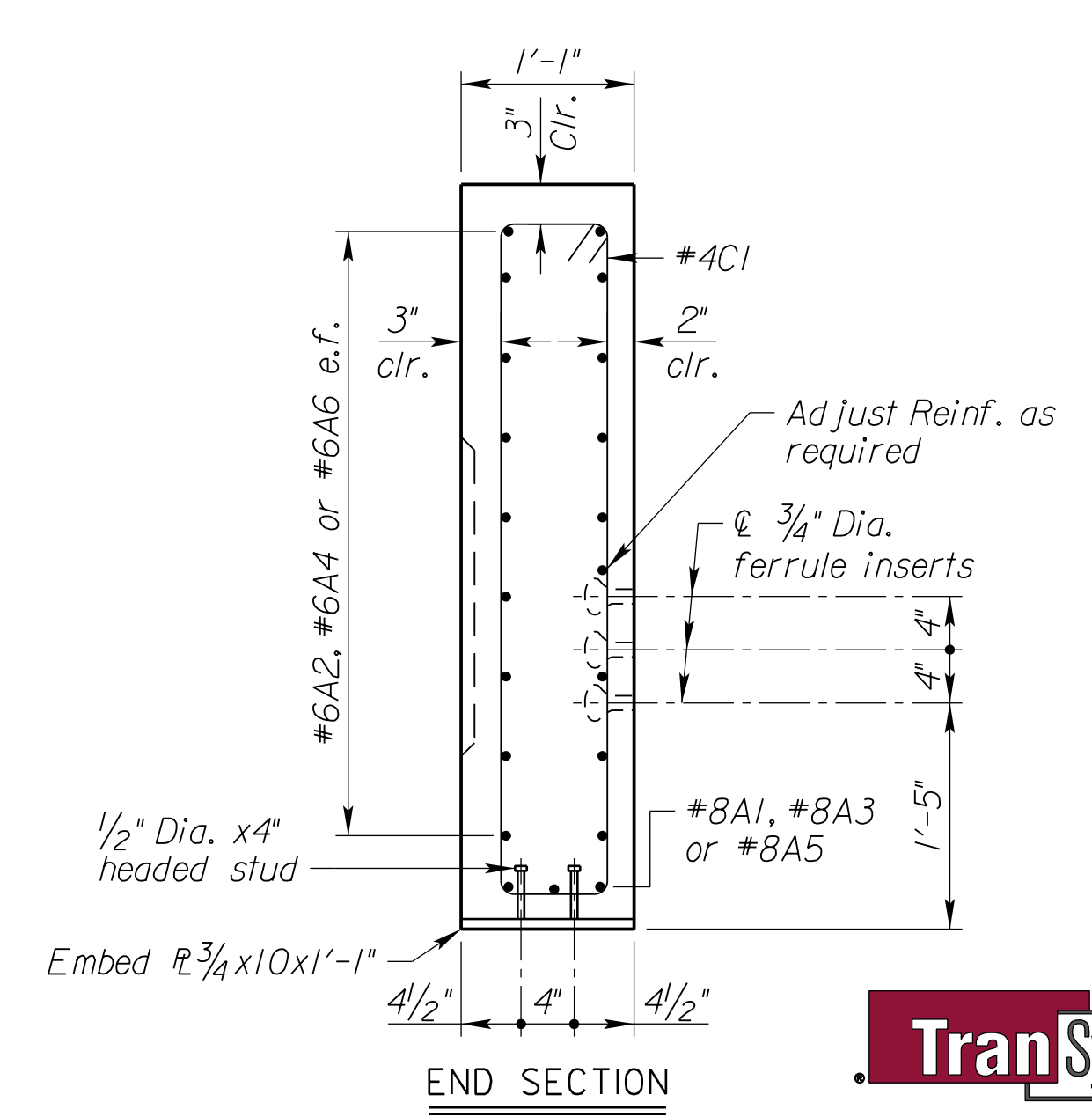
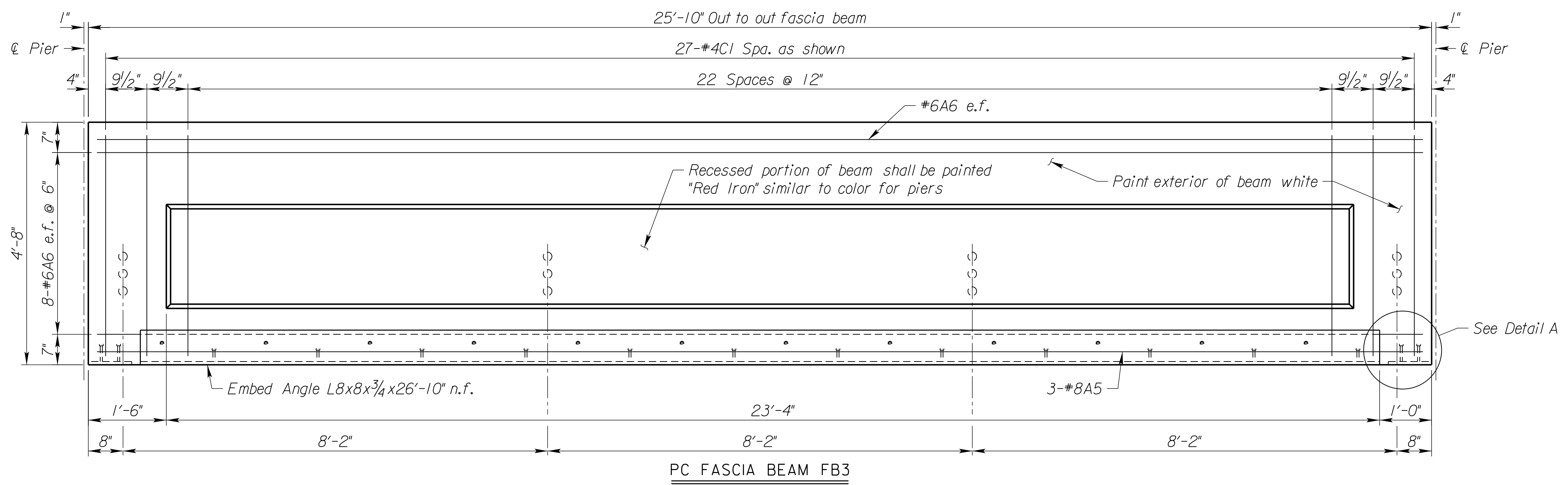
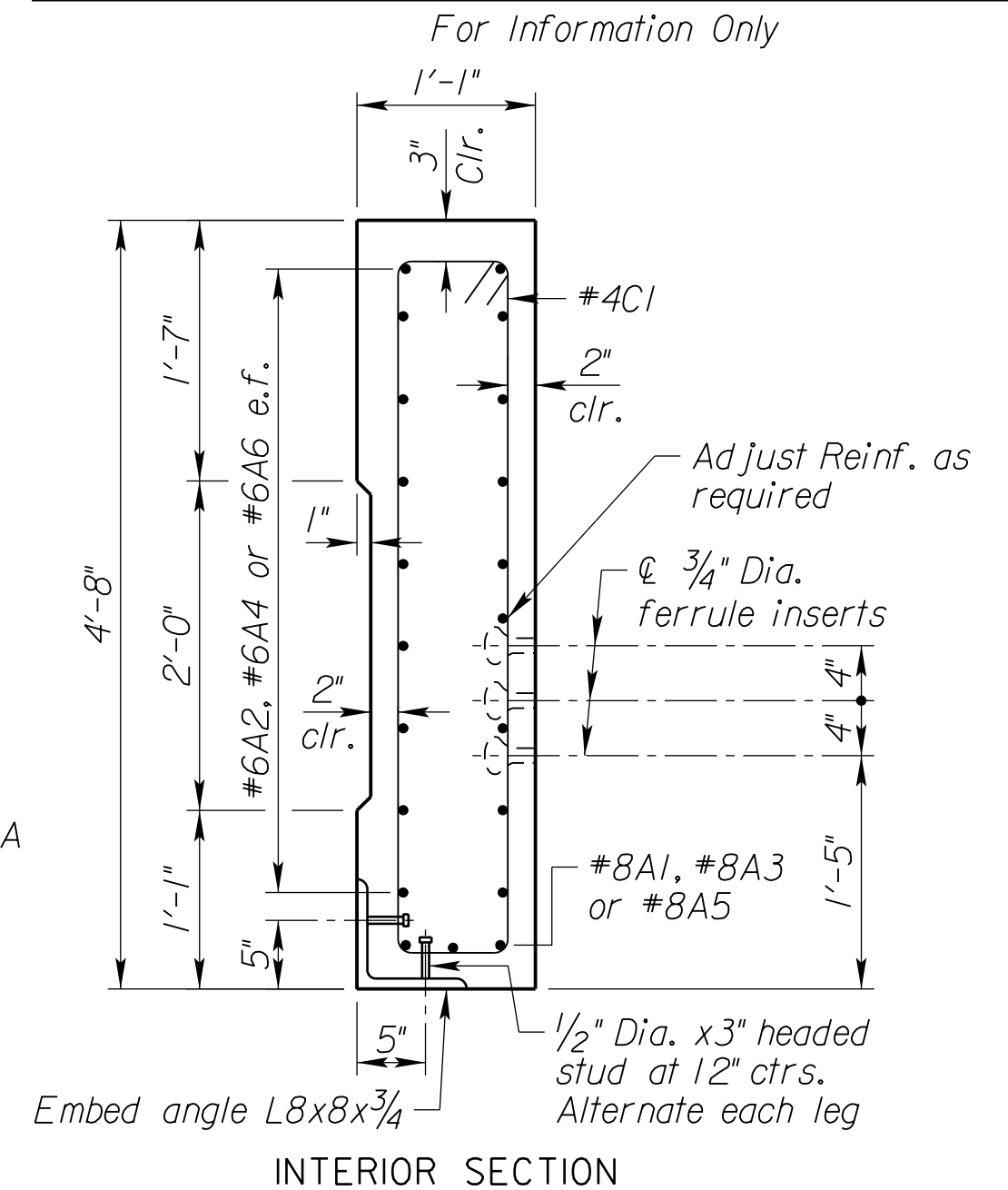
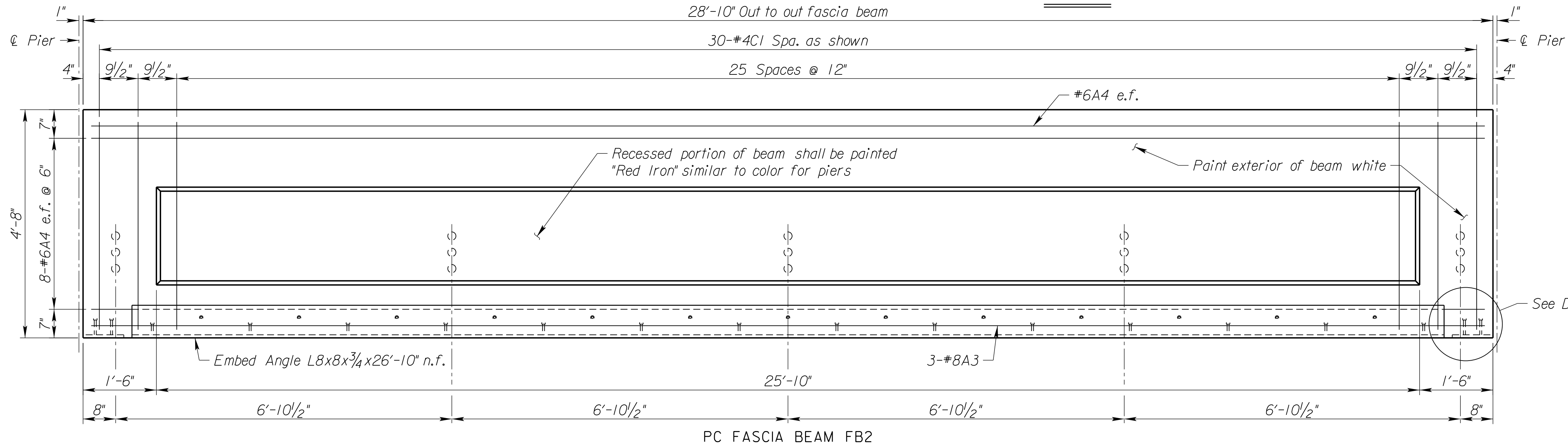


Notes:
"A" denotes bending mark. Dimensions are out to out unless noted otherwise.
No allowance for bend curvature is to be made except for standard hook and radii in excess of the same.
All labor and materials required to remove the existing fascia beam, fabricate, ship and erect the new fascia beams, including demolition and disposal of existing beam, blocking and shoring, as well as concrete, diaphragms, rebar and bearings for new beams shall be included in the bid item "Concrete Beam Replacement".
Removal and replacement of existing fence along East fascia, as well as installation and maintenance of temporary fence during construction shall also be included in the bid item "Concrete Beam Replacement".



BILL OF REINFORCING STEEL - PC FASCIA BEAM GRADE 60 - EPOXY COATED								
LOCATION	BAR LABEL	NO. REQUIRED	BEND	SIZE	TOTAL LENGTH	DIMENSIONS		
						a	b	c
FBIL	A1	3	A	8	16'-0"	16'-0"		
	A2	18	A	6	16'-0"	16'-0"		
	C1	18	C	4	10'-5"	4'-2"	8"	4 1/2"
FBIR	A1	3	A	8	16'-0"	16'-0"		
	A2	18	A	6	16'-0"	16'-0"		
	C1	18	C	4	10'-5"	4'-2"	8"	4 1/2"
FB2	A3	3	A	8	28'-6"	28'-6"		
	A4	18	A	6	28'-6"	28'-6"		
	C1	30	C	4	10'-5"	4'-2"	8"	4 1/2"
FB3	A5	3	A	8	25'-6"	25'-6"		
	A6	18	A	6	25'-6"	25'-6"		
	C1	27	C	4	10'-5"	4'-2"	8"	4 1/2"



PRINTS ISSUED
DATE PURPOSE NO.
7.31.17 90% Submittal Set

DOUGLAS AVE.-BNSF
RAILROAD UNDERPASS
IMPROVEMENTS
WICHITA, KS

LKArchitecture
Architecture • Engineering • Planning • Interior Design • Landscape Architecture

LK Architecture Inc. ©
345 RIVERVIEW, WICHITA, KS 67203
Phone (316) 268-0230 Fax: (316) 268-0205

PROJECT NUMBER:
17145
SHEET TITLE:
**EAST FASCIA BEAM
DETAILS 3 OF 3**

SHEET NUMBER:
12
LAT: 37.68622°N
LONG: 97.33001°W

