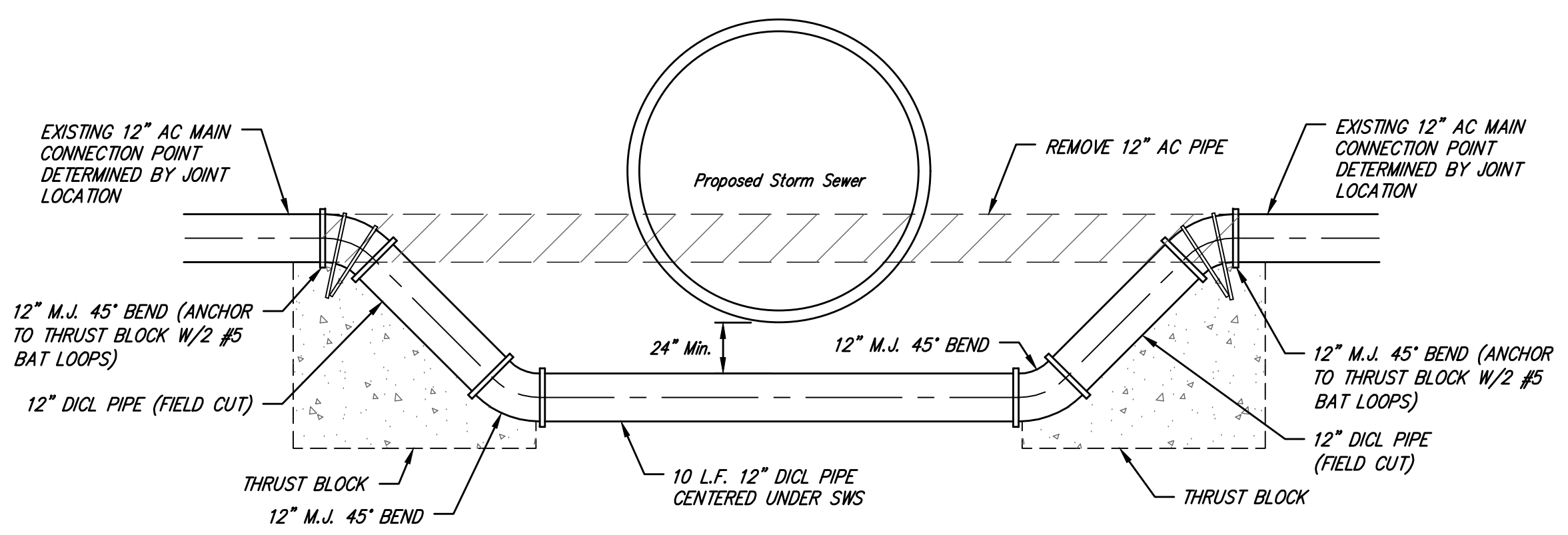
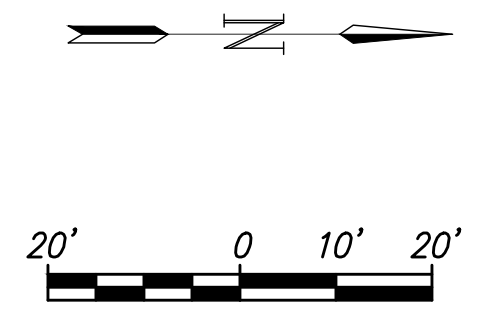
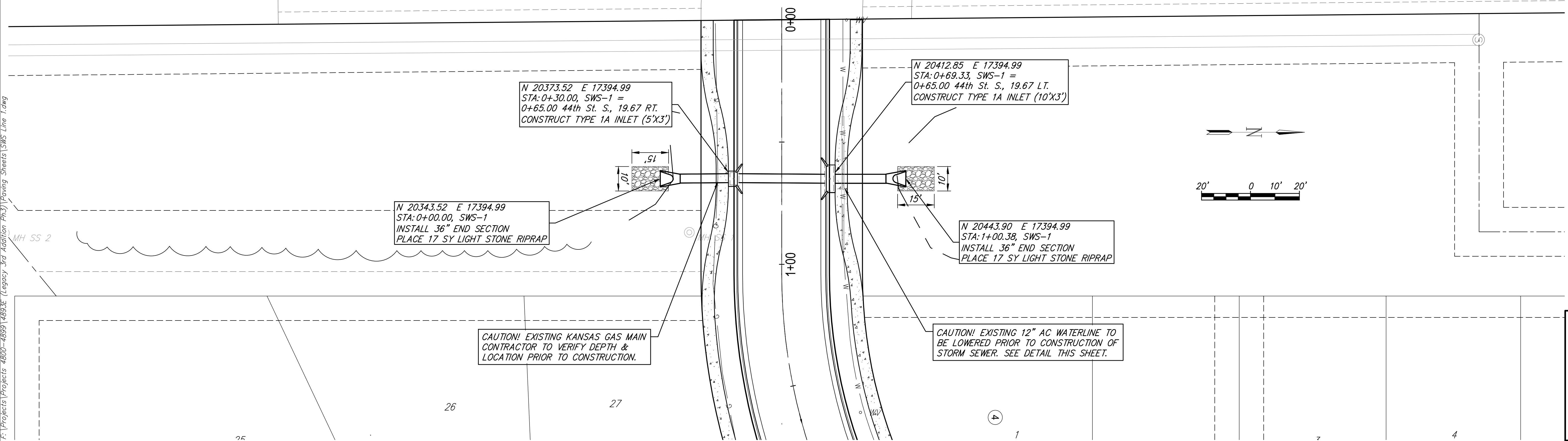


NOI

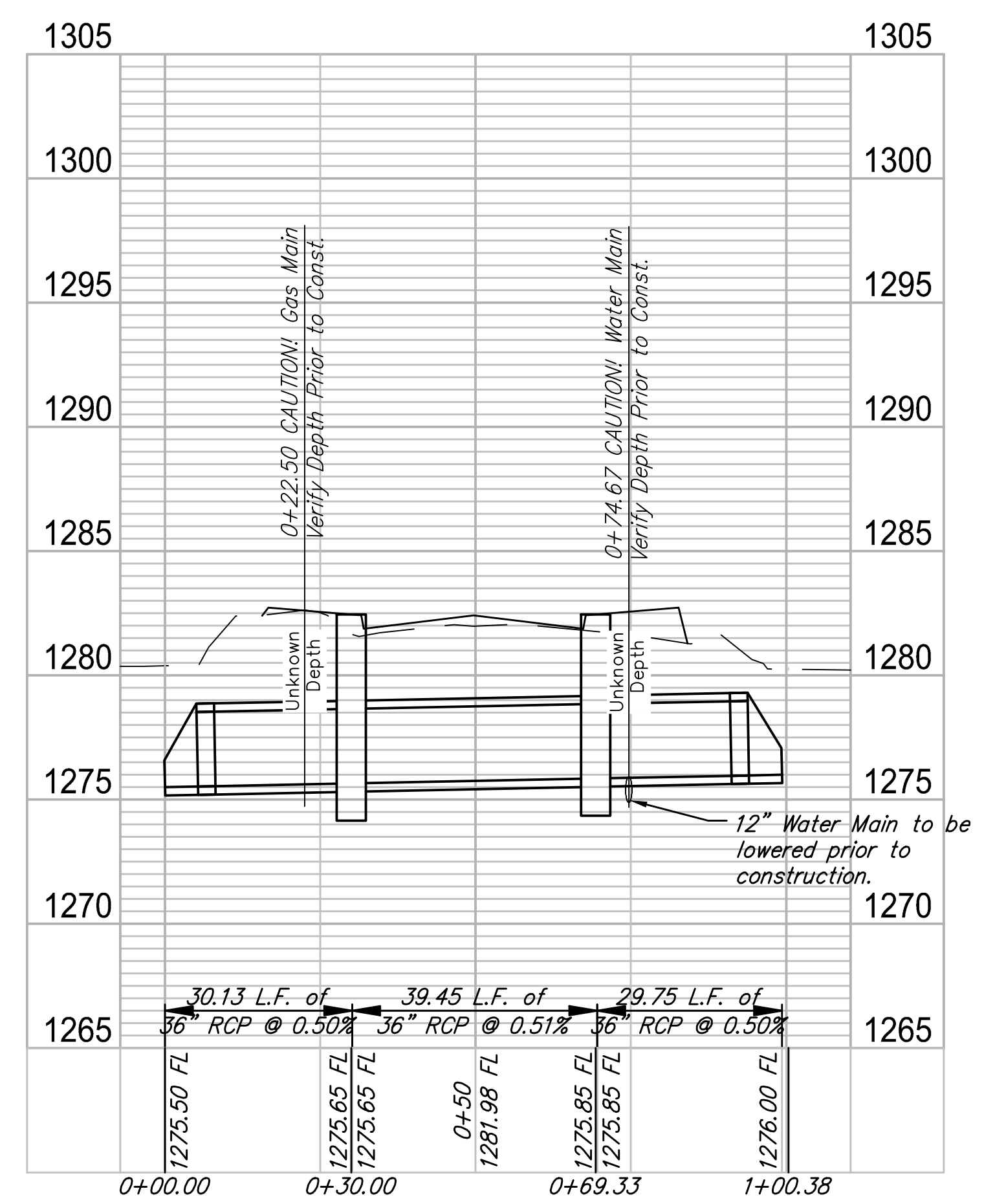
COTTONWOOD

F:\Projects\Projects\4800-4893E (Legacy 3rd Addition Ph3) Paving Streets (SWS Line 1.dwg



**WATER MAIN LOWERING DETAILS**

NOT TO SCALE  
PAID AS "WATER MAIN LOWERING, EA."



PROJECT NUMBER: 472-85404  
 DRAWING FILE: SWS Line 1  
 DESIGN: EG  
 DRAWN: DS  
 REVIEW: [Blank]  
 DATE: 01/03/2018  
 GARVER JOB: 4893E  
 SHEET: 14 OF 31  
 © Copyright 2017, Garver