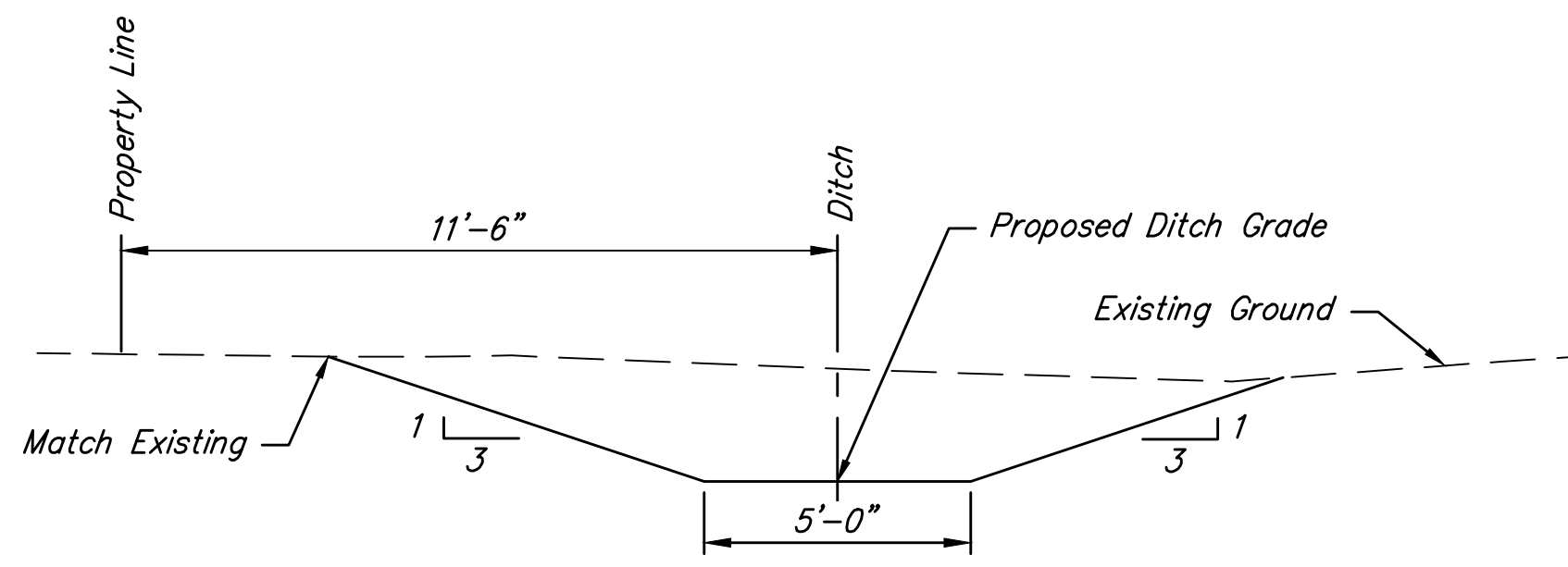
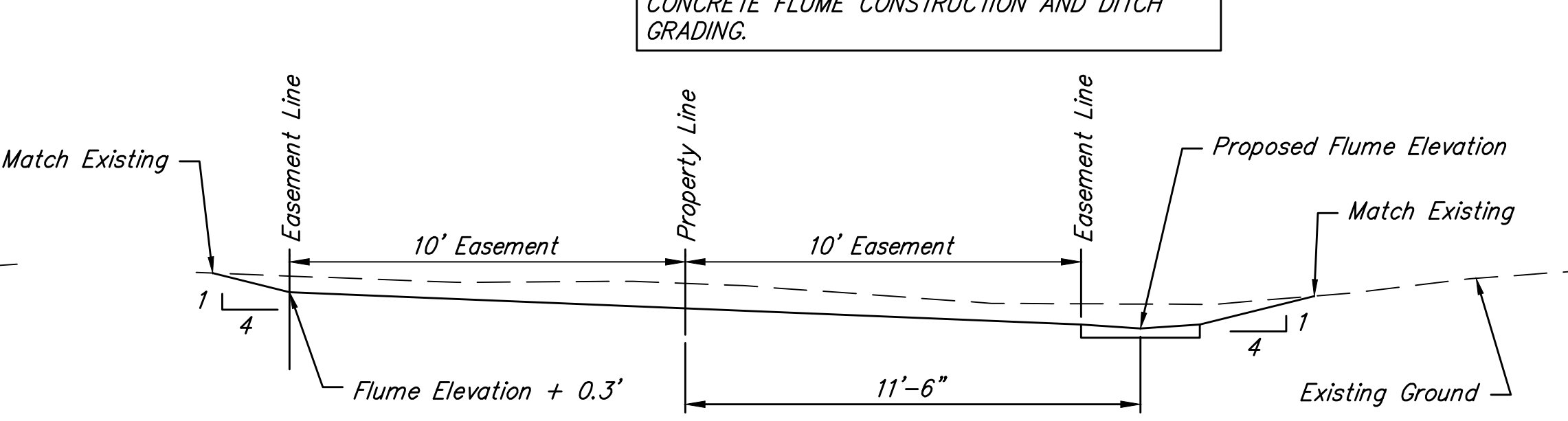


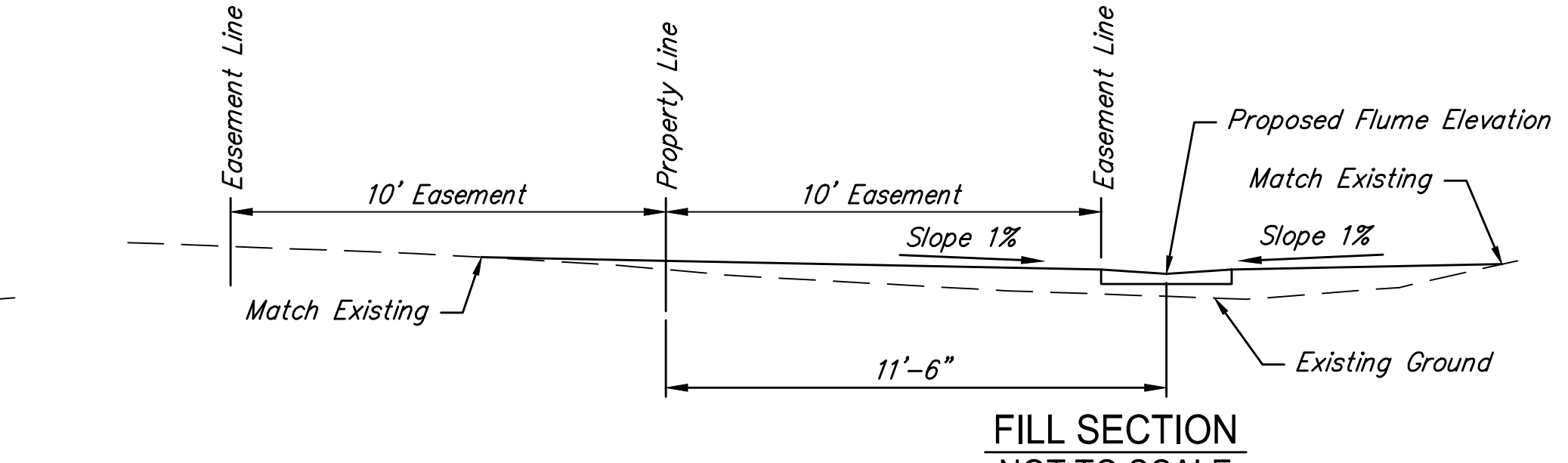
NOTE: REMOVE ALL TREES FROM LOTS 3-13, BLOCK 7. REMOVE ALL TREES IN CONFLICT WITH CONCRETE FLUME CONSTRUCTION AND DITCH GRADING.



DITCH SECTION
NOT TO SCALE

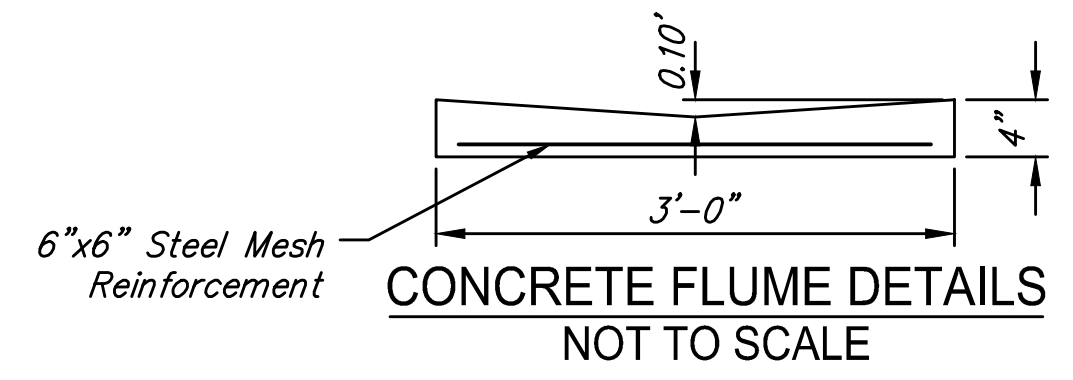


CUT SECTION
NOT TO SCALE



FILL SECTION
NOT TO SCALE

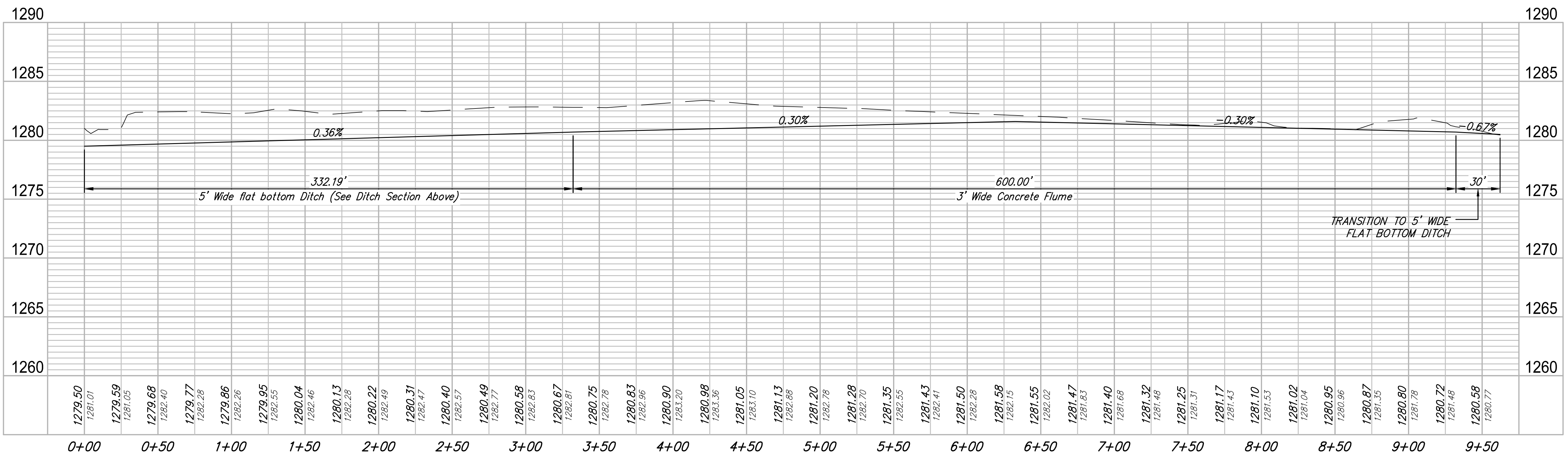
NOTE: CONSTRUCTION JOINTS SPACED @ 25'
(CONSTRUCTION JOINTS MAY BE SAWN JOINTS)



CONCRETE FLUME DETAILS
NOT TO SCALE

** EARTHWORK QUANTITIES	
Description	Cu. Yds.
Cut	893
Fill	2
Net (Cut)	891

** THIS SHEET ONLY



F:\Projects\Projects_4800-4899\4893\Legacy_3rd Addition_Ph3\4893E_Engineering_Base.dwg

DESIGN: EG
 PROJECT NUMBER: 472-85404
 DRAWING FILE: 4893E_Engineering_Base
 REVIEW: DS
 DATE: 01/03/2018
**Legacy 3rd Addition Phase 3
Ditch-Flume**
 Wichita, Kansas
 GARVER JOB 4893E
 SHEET 15 OF 31
 © Copyright 2017, Garver