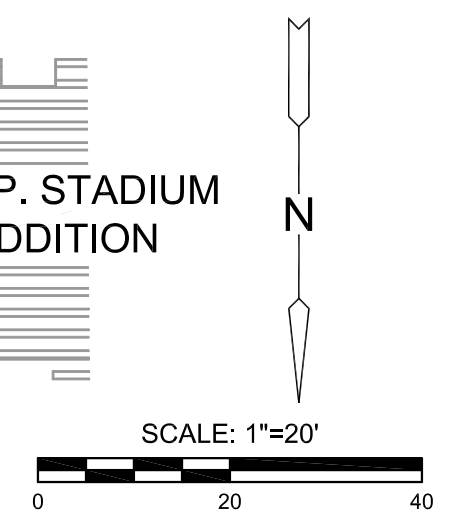
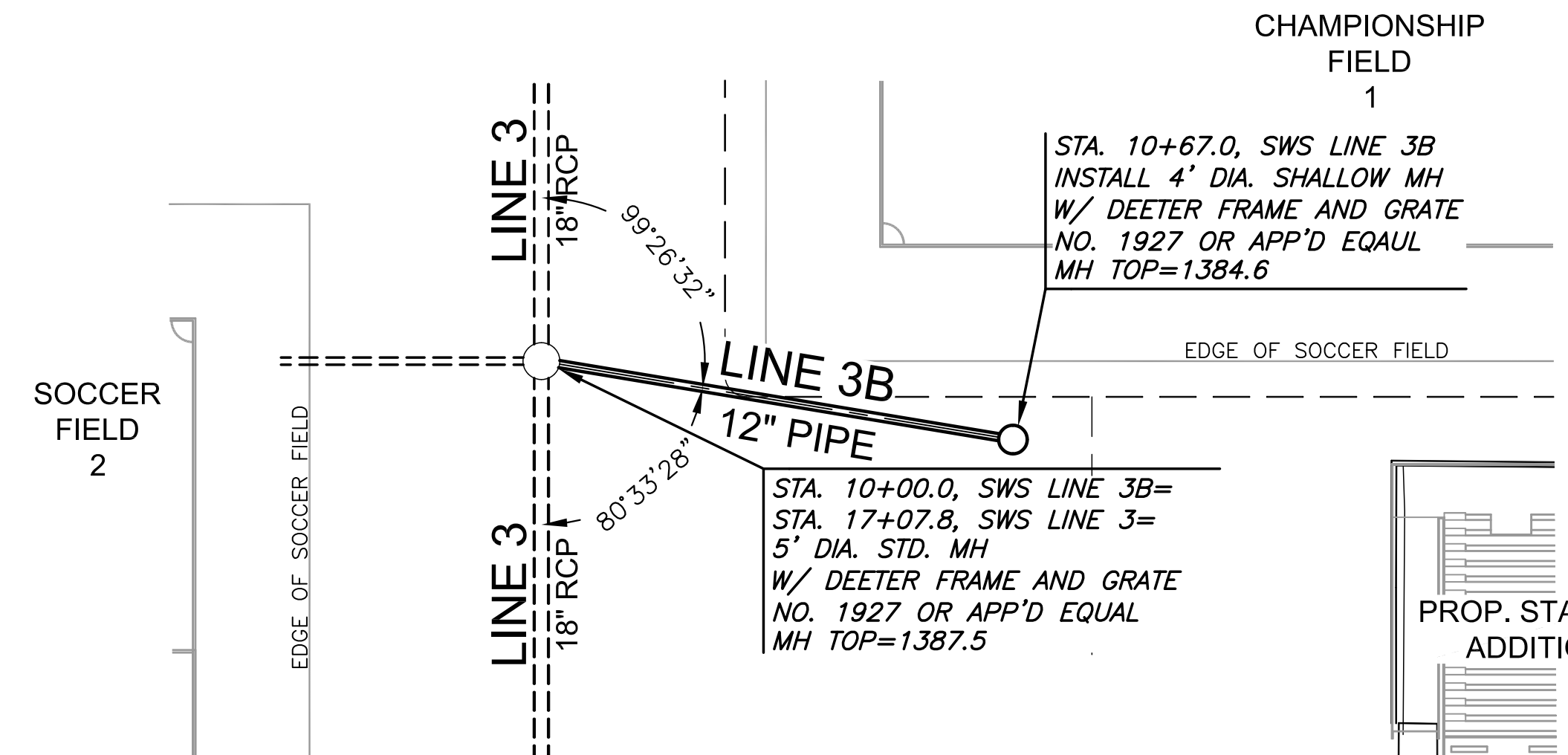
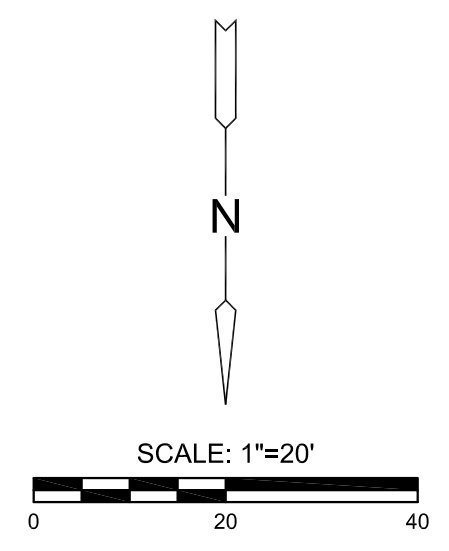
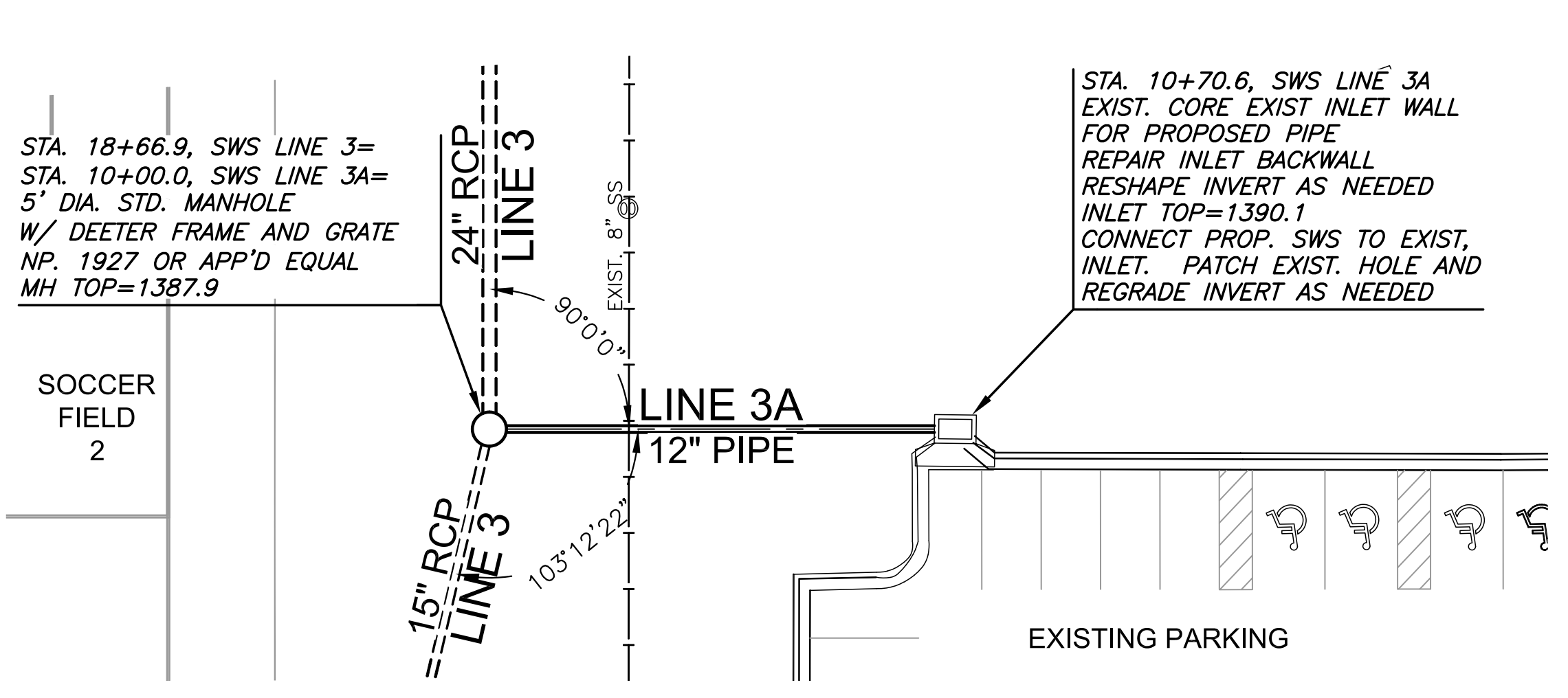


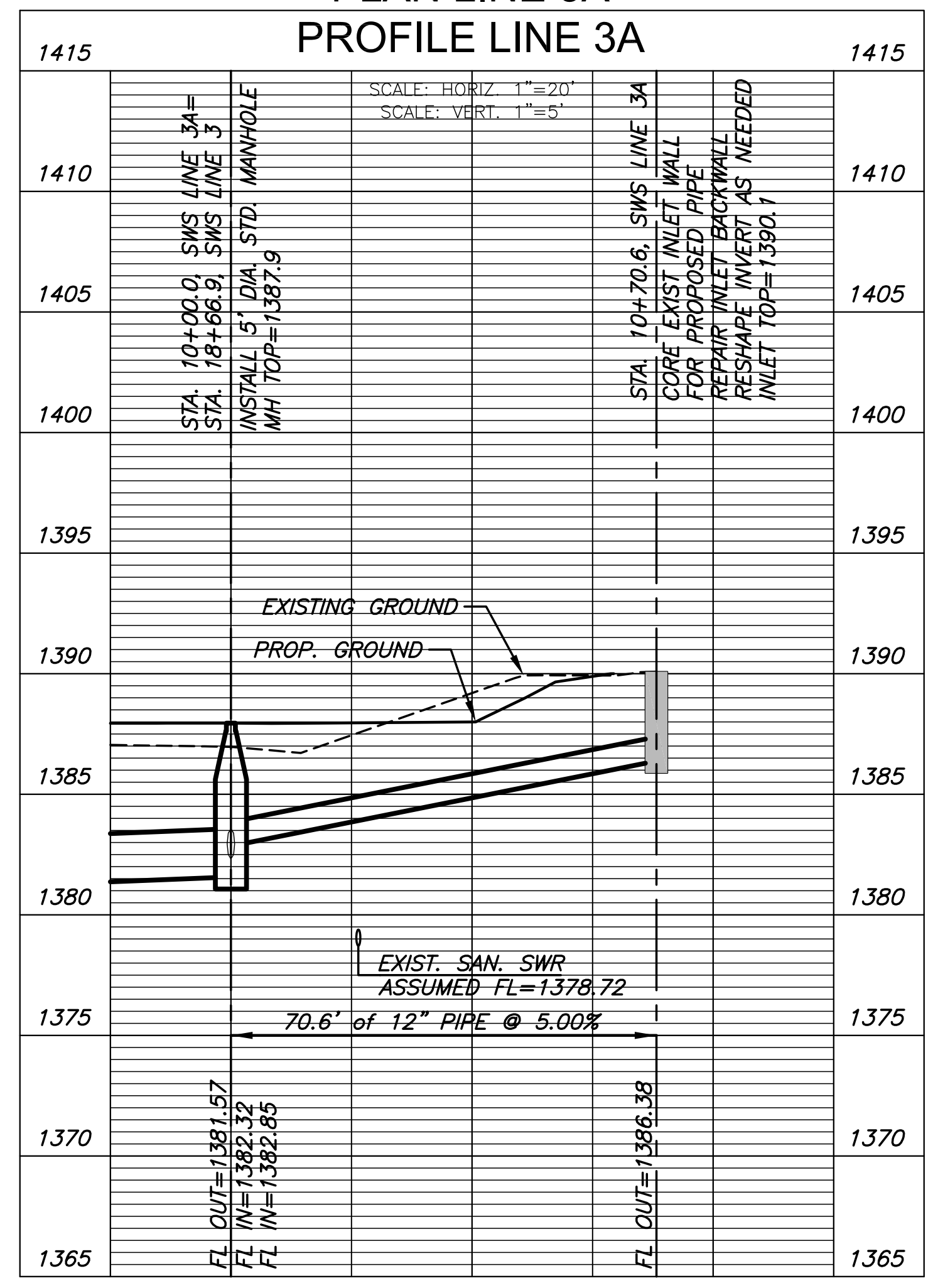
J:\PROJECTS\2017\1010567_COW_STRYKER_170567_CAD\SHOTS\05_CIVIL\SW\170567-05-4212.DWG
 J:\PROJECTS\2017\1010567_COW_STRYKER_170567_CAD\SHOTS\05_CIVIL\SW\170567-05-4212.DWG
 PLOTTED: Wednesday, January 10, 2018 @ 09:14AM



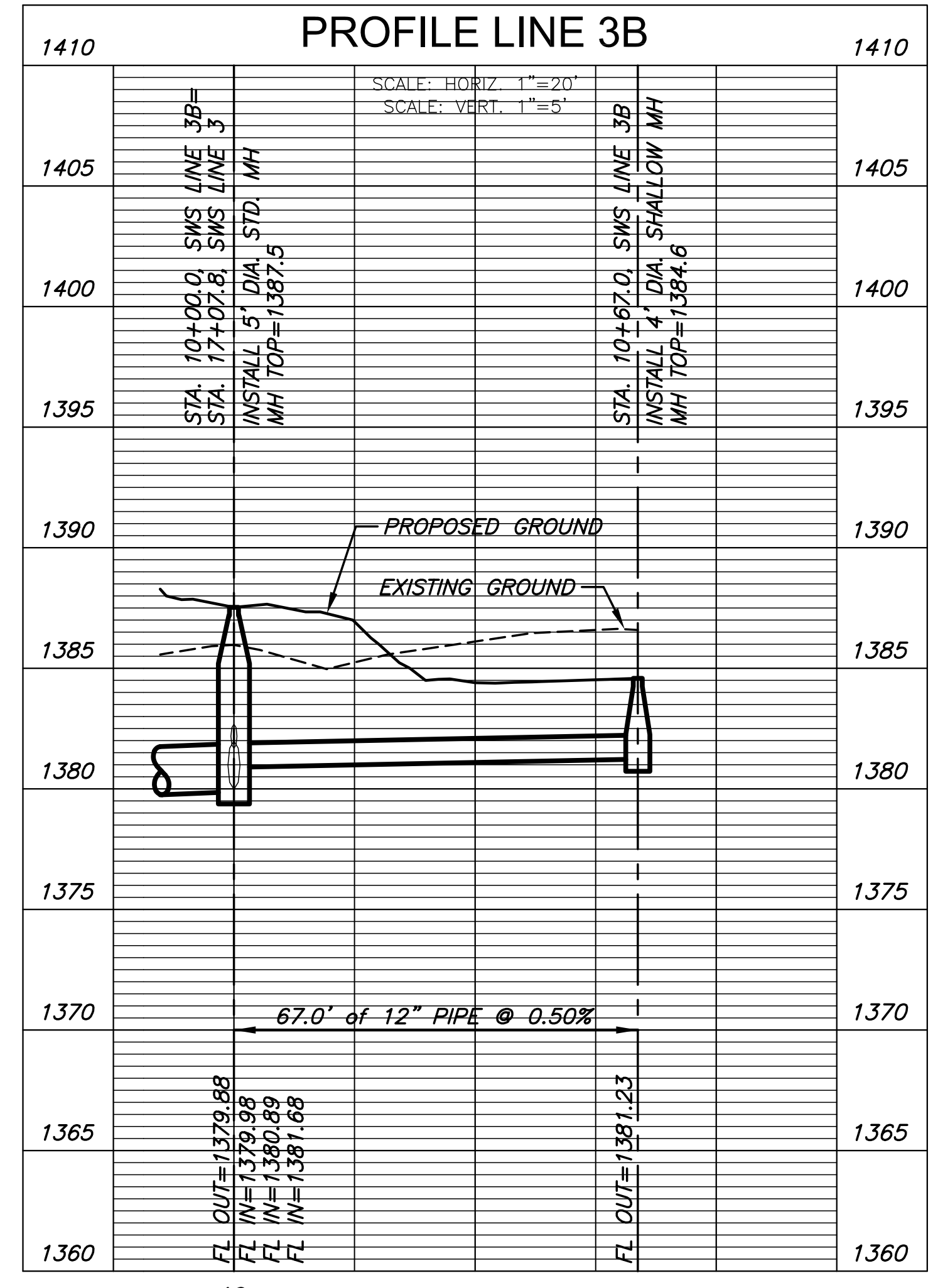
NOTES:
 CONTRACTOR TO VERIFY LOCATION AND ELEVATION OF EXISTING UTILITES LINE PRIOR TO CONSTRUCTION.

 PROPOSED ELECTRICAL CONDUIT RUNS AS SHOWN ARE SCHEMATIC IN NATURE. REFERENCE ELECTRICAL SHEETS FOR INSTALLATION DETAILS.

PLAN LINE 3A
PROFILE LINE 3A



PLAN LINE 3B
PROFILE LINE 3B



GRADING & UTILITIES PLANS FOR
STRYKER SPORTS
 WICHITA, KANSAS



©2018
 MKEC Engineering
 All Rights Reserved
 www.mkec.com
 These drawings and their contents, including, but not limited to, all concepts, designs, & ideas are the exclusive property of MKEC Engineering (MKEC), and may not be used or reproduced in any way without the express consent of MKEC.

SWS LINE 3A & 3B

PROJECT NO.	170567
DATE	01-10-18
SCALE	1" = 20'
DESIGNED	MAB
DRAWN	RWB
CHECKED	MAB

0	ISSUED FOR CONST.	1-10-18
NO.	REVISION	DATE