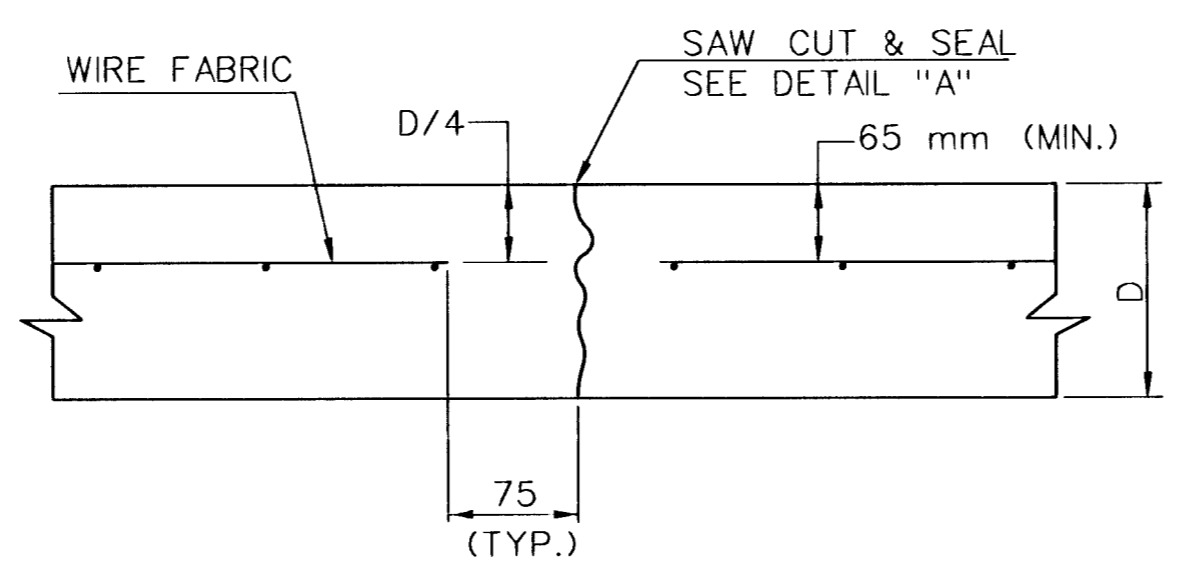
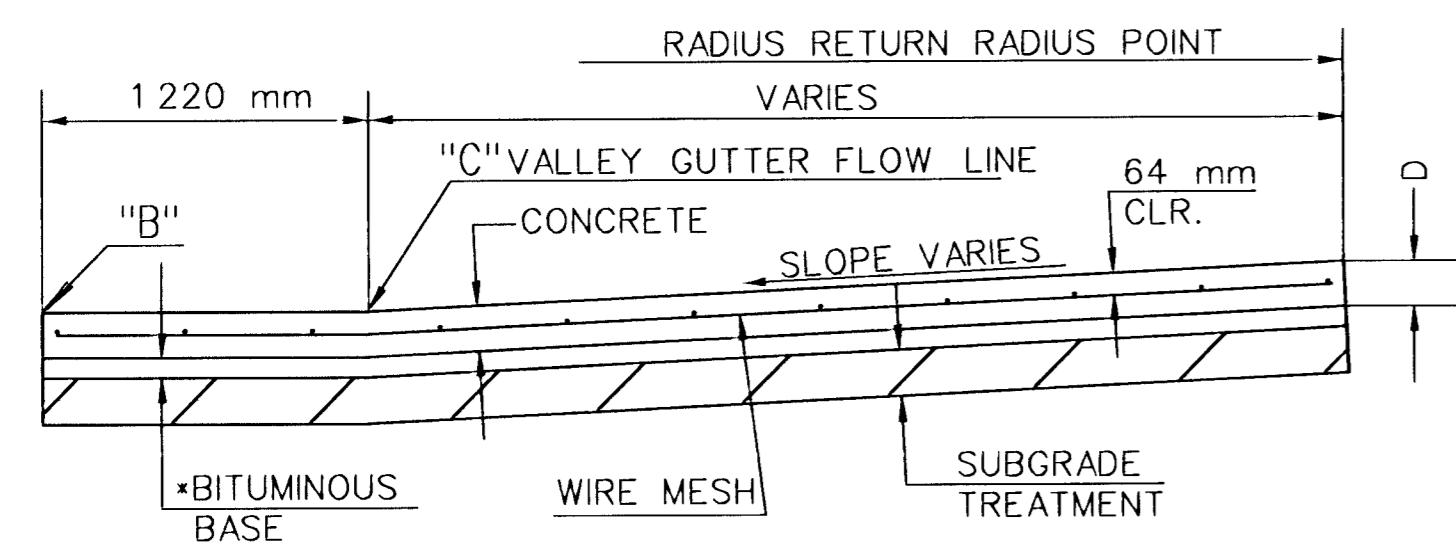
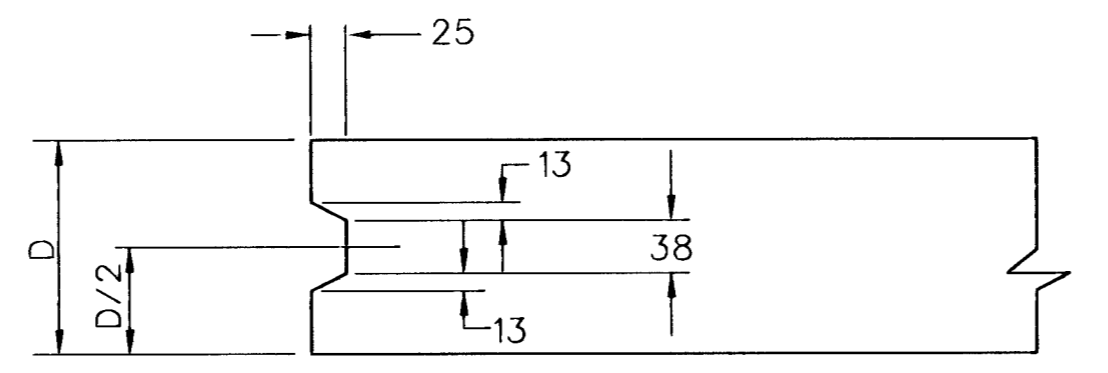
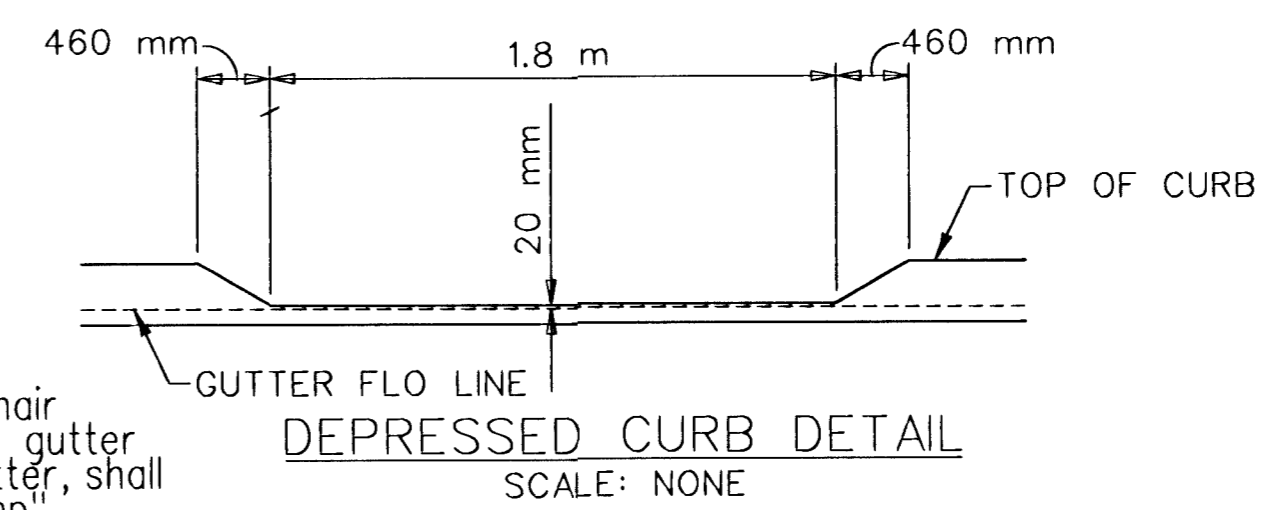
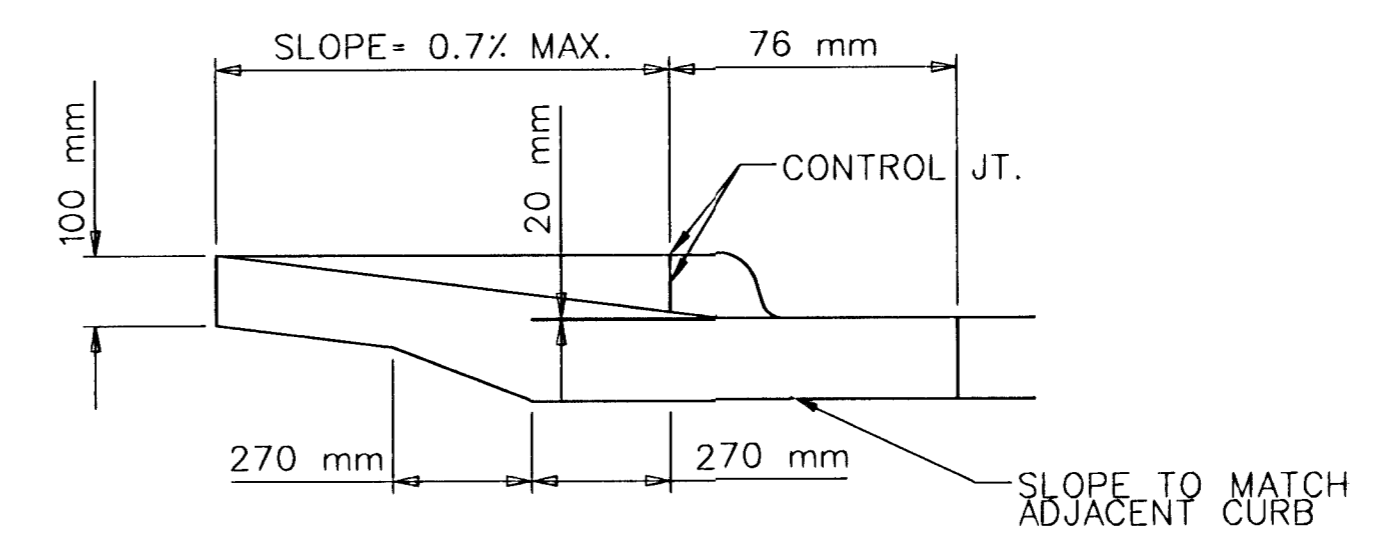
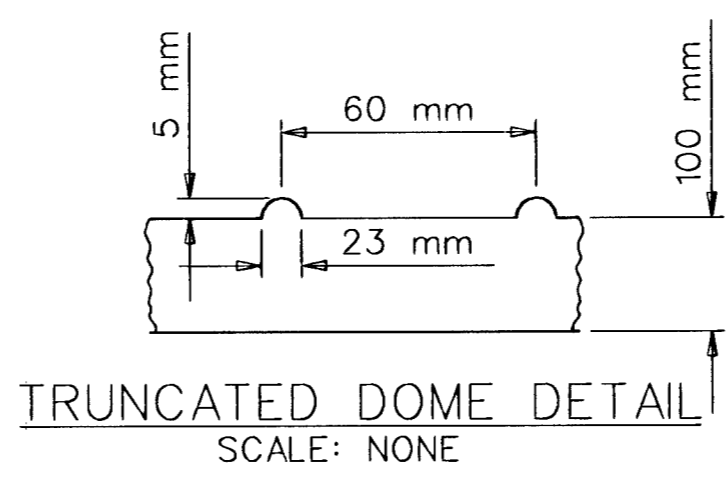
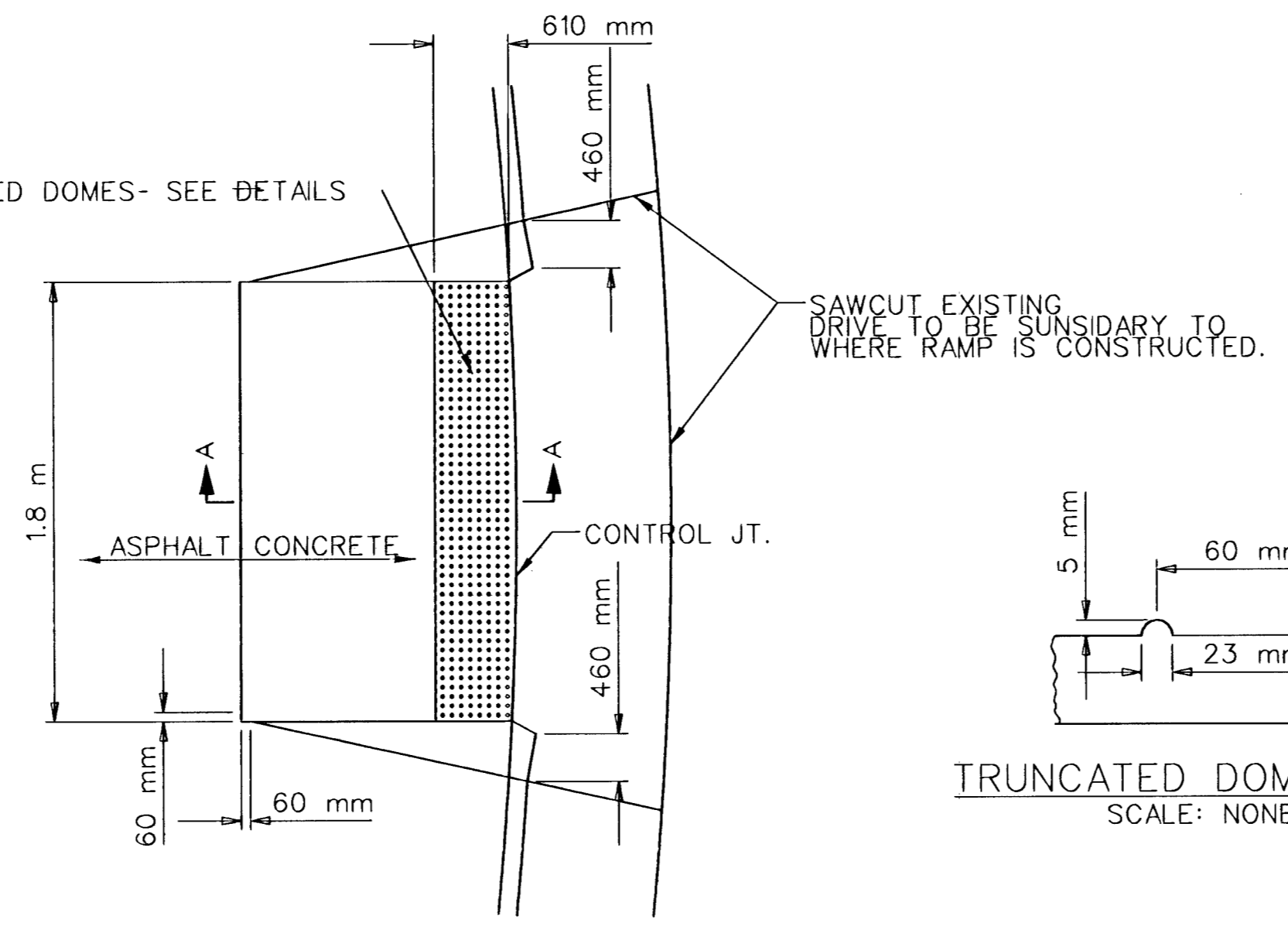
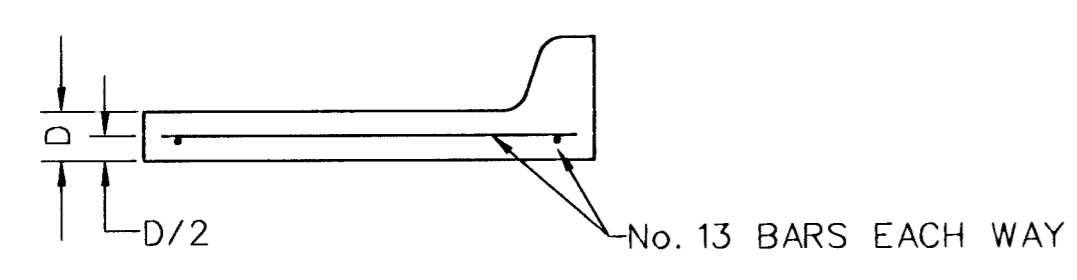
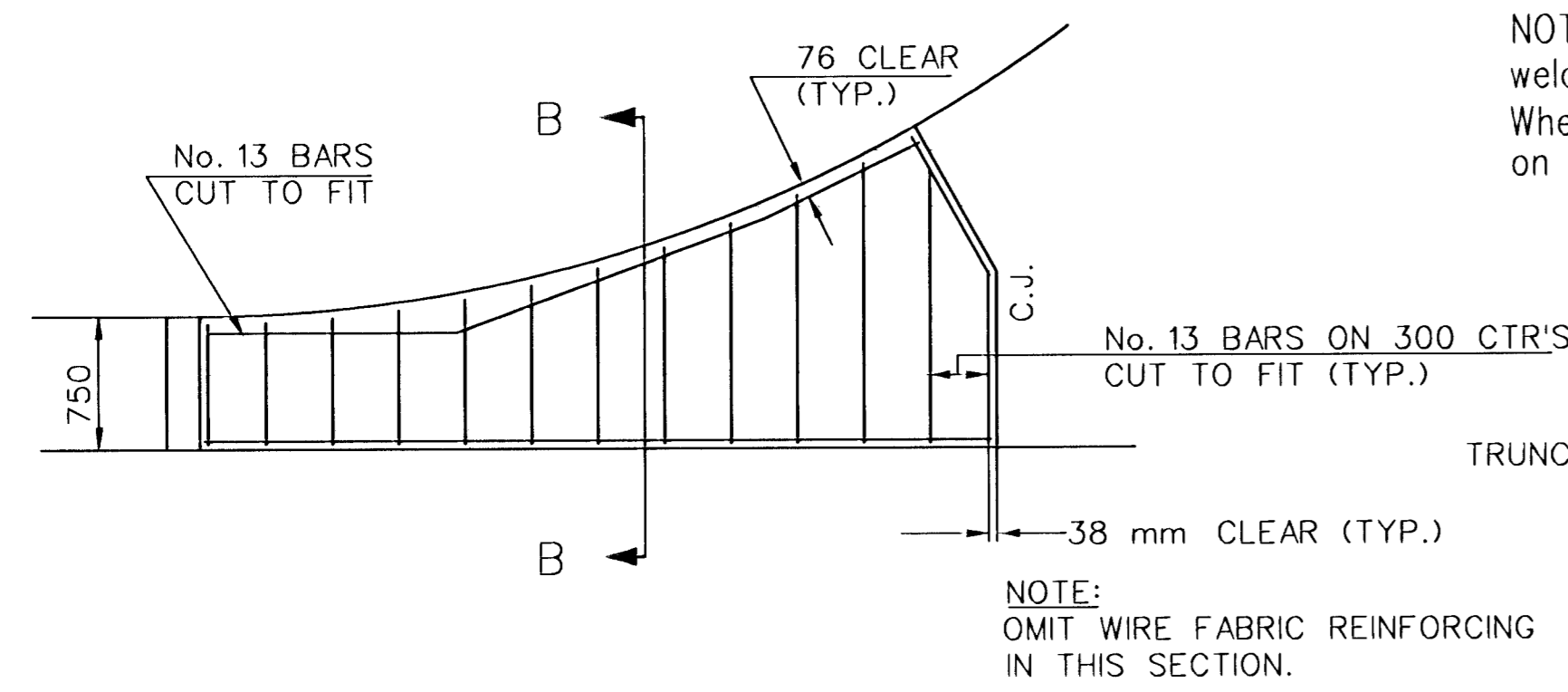


NOTE:  
ALL CONCRETE VALLEY GUTTER REINFORCEMENT SHALL BE ADEQUATELY SUPPORTED BY BAR CHAIRS IN THE REQUIRED POSITION UNLESS APPROVED OTHERWISE BY THE ENGINEER.

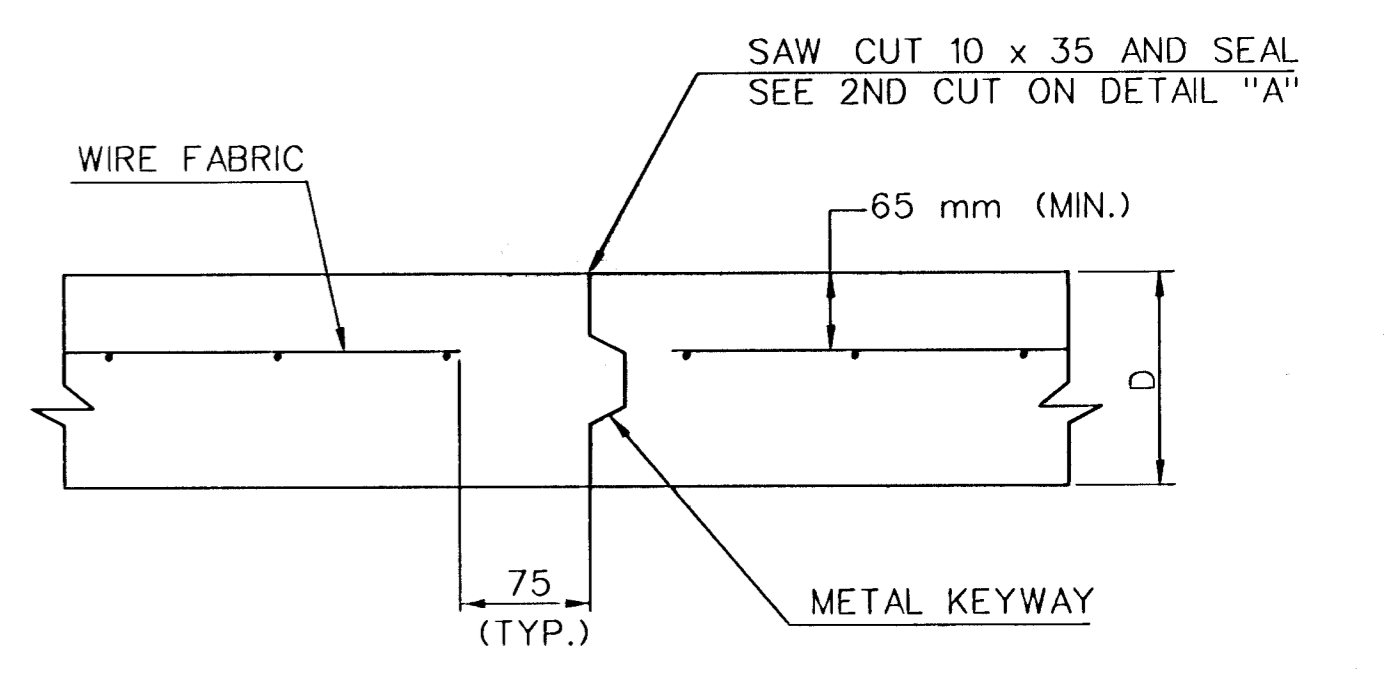
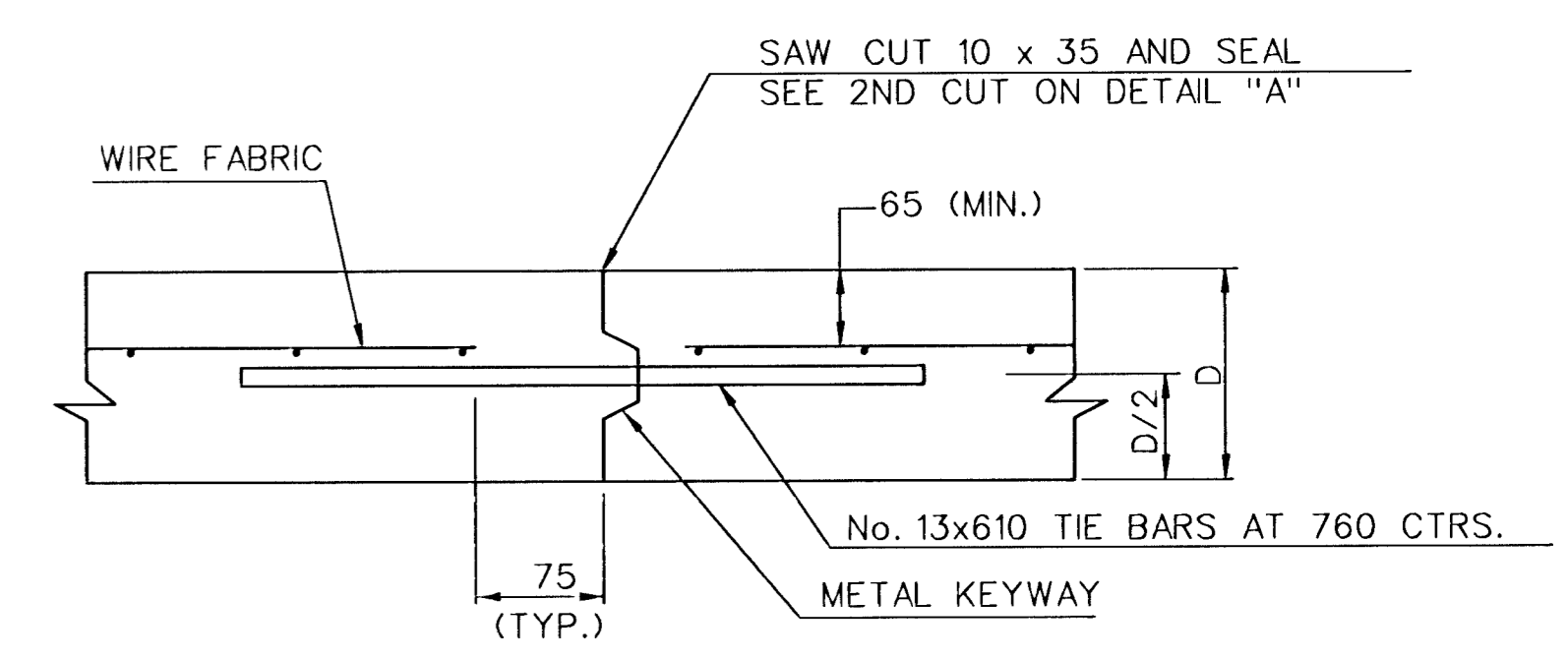
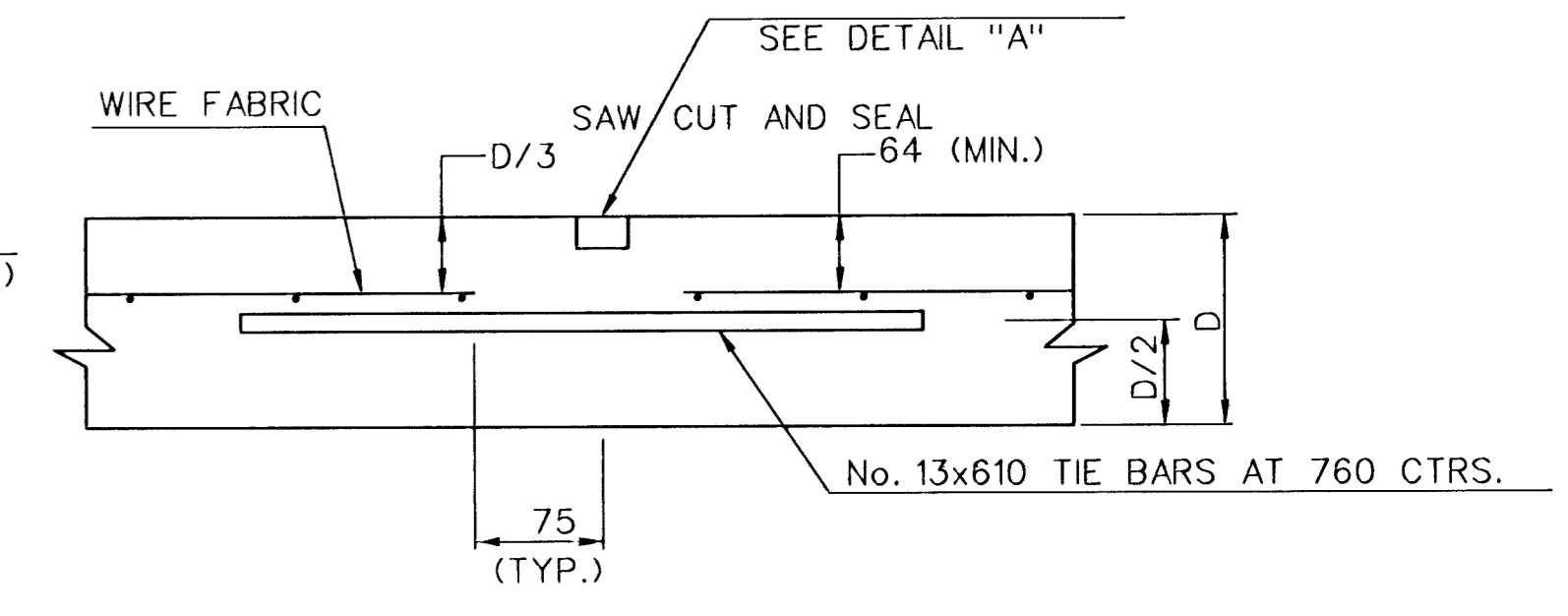
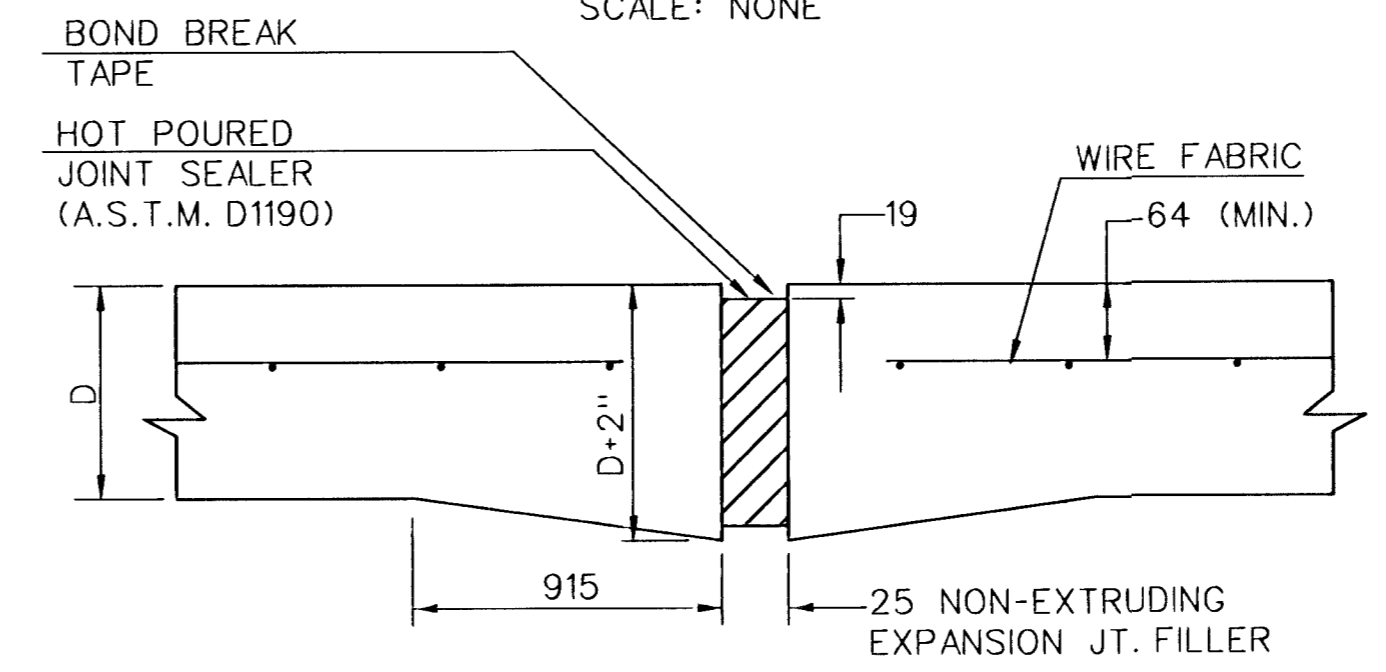
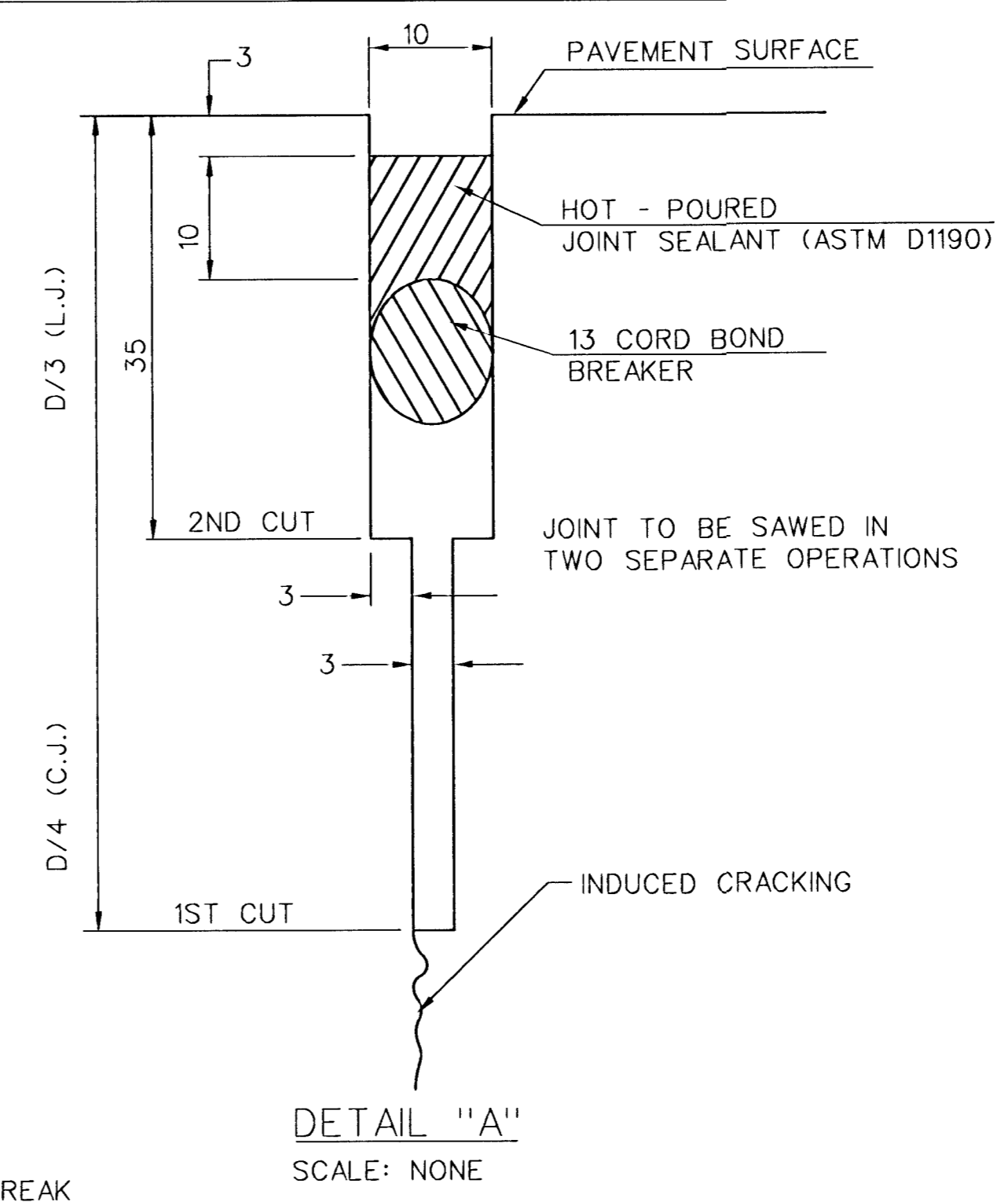
\* NOT TO BE USED WITH CRUSHED ROCK BASE.



NOTE: Valley gutter concrete pavement shall be of 200 mm uniform thickness, with welded wire mesh. Approximate mass of welded wire mesh= 2.1 kg/m<sup>2</sup>. Where valley gutter, alley, and/or entrance pavement is the only pavement on the project, Class A Concrete (AE) may be used.



NOTE: All work with installation of the wheelchair ramps, including removal of existing curb and gutter and construction of depressed curb and gutter, shall be included in the bid item "Wheelchair Ramp".



LEGEND  
C.J. IDENTIFIES CONTRACTION JOINT  
L.J. IDENTIFIES LONGITUDINAL JOINT

<p>THE CITY OF WICHITA</p> <p>CITY ENGINEER'S OFFICE CITY HALL - SEVENTH FLOOR 455 NORTH MAIN STREET WICHITA, KANSAS 67202 (316) 268-4501 (316) 268-4114 FAX</p>	VALLEY GUTTER DETAILS	
	WHEELCHAIR RAMP DETAILS	
	NEIL CABLE P.E. - CITY ENGINEER	
	PROJECT NUMBER XXX-XXXXX	INDEX CODE XXXXXX
DATE MAR 96	SHEET 31 OF 85	