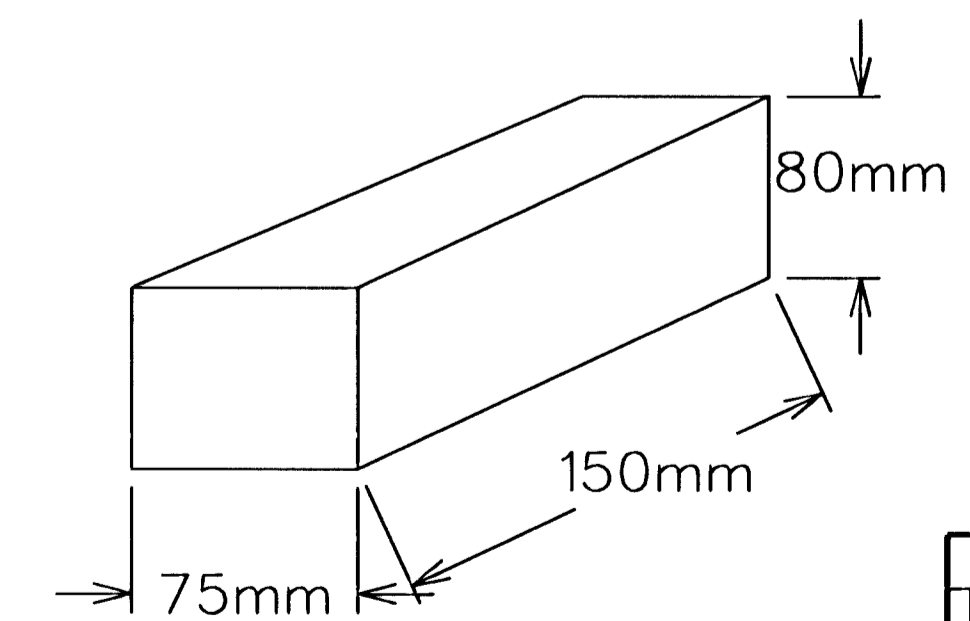


CROSSWALK BRICK PAVER SURFACE DETAIL

NOTE: Construction of the interlocking precast concrete paving stones shall conform to KDOT special provisions 90-P-3956



CITY OF WICHITA CENTRAL AVENUE IMPROVEMENTS	
PEDESTRIAN CROSS WALK DETAIL	
DESIGNED BY B.A.L.	DRAWN BY M.P.M.
DATE 1/2003	SCALE
<b>TRANSYSTEMS CORPORATION</b> 244 North Waco, Suite 400 Wichita, Kansas 67202	
PROJECT NO. 07-NA102-01	SHEET NO. 32