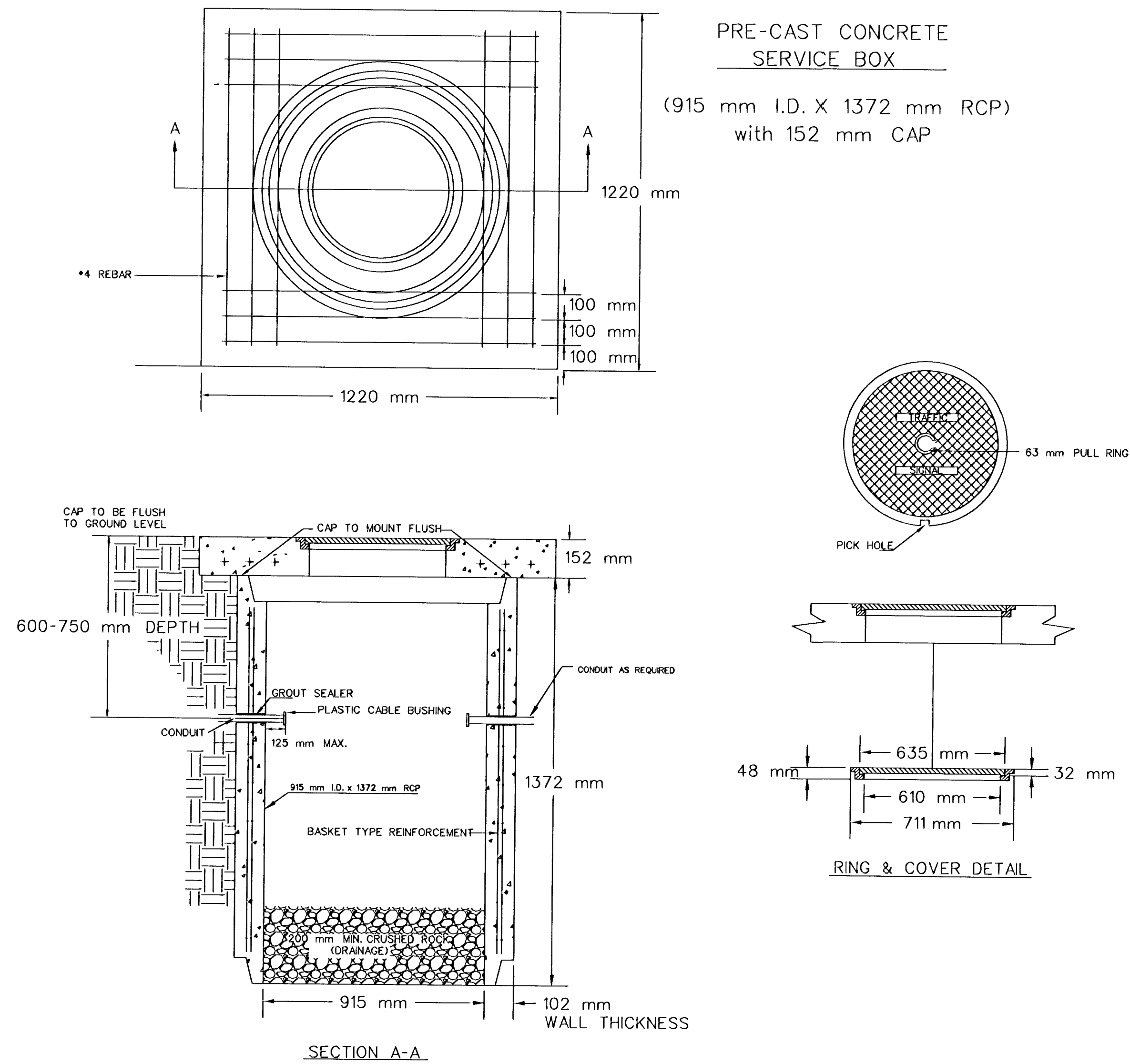
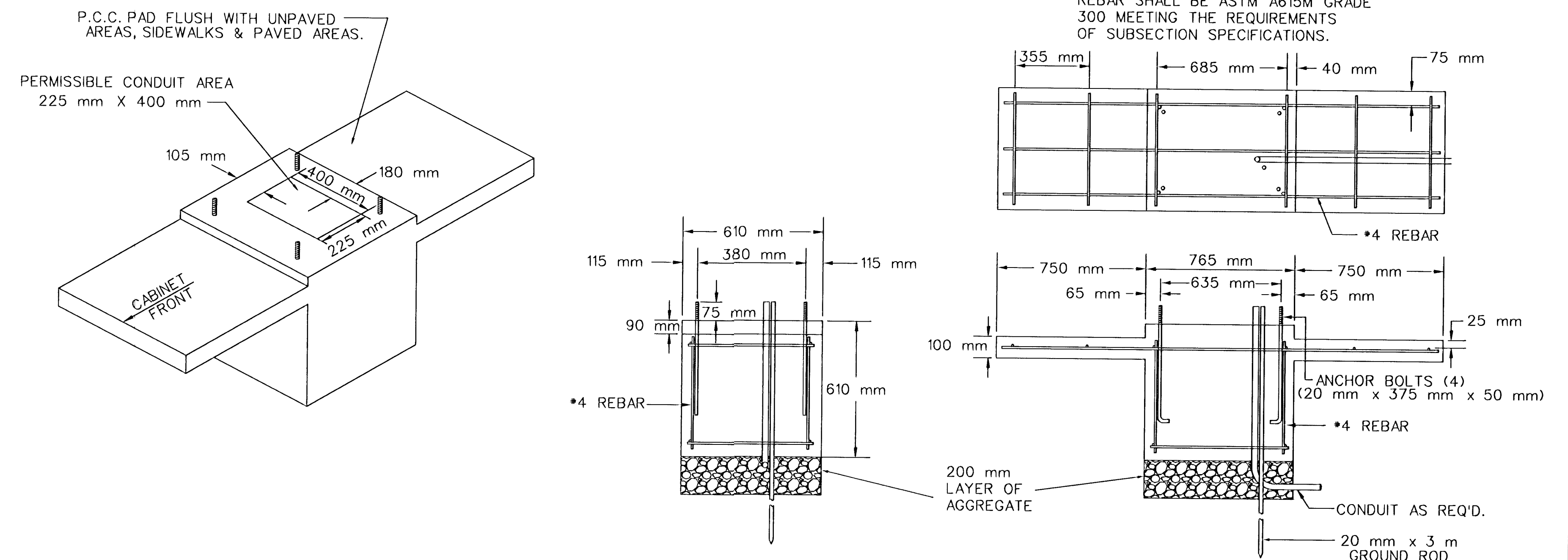


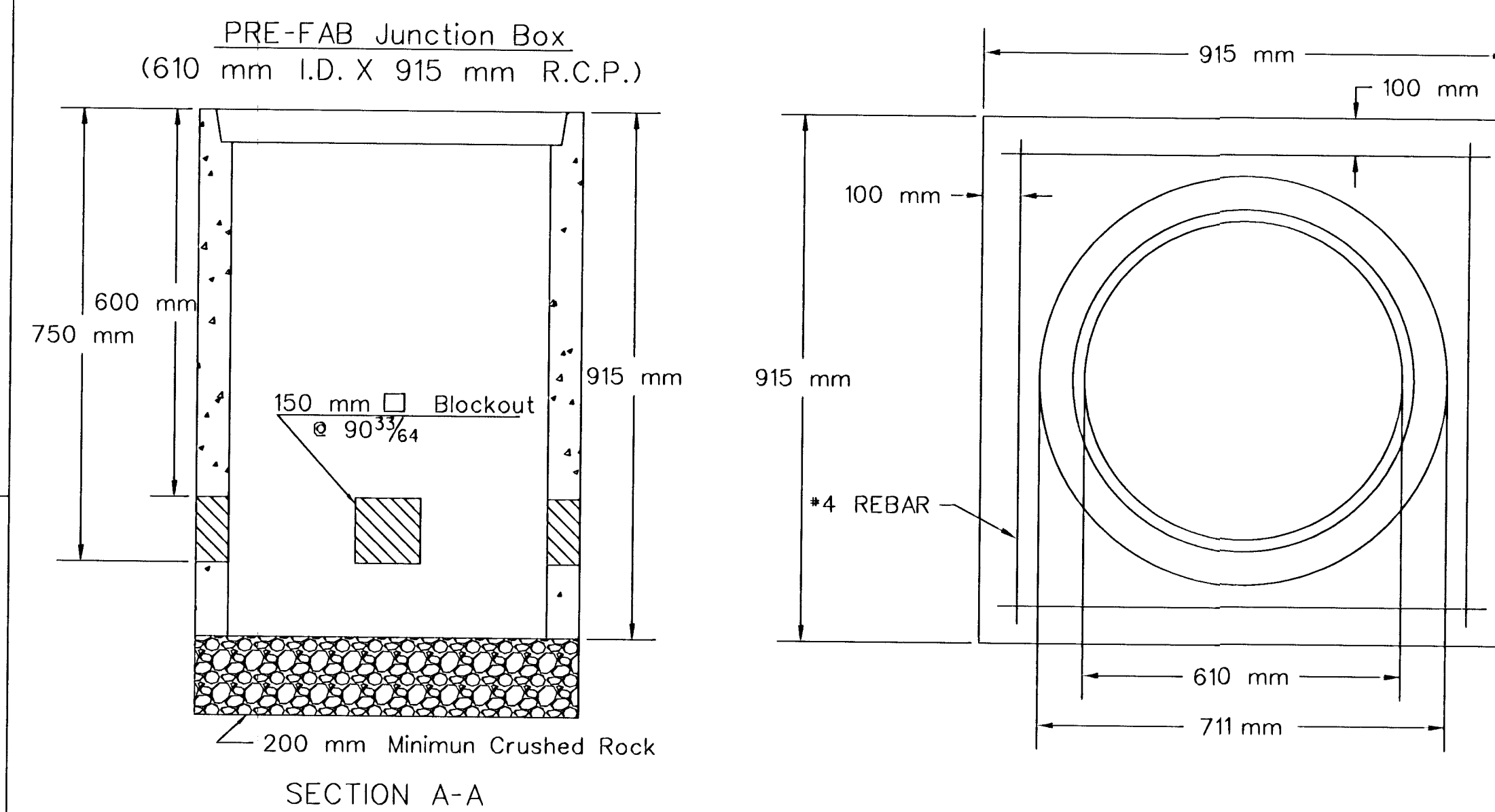
SERVICE BOX CONSTRUCTION/INSTALLATION DETAILS



170 CONTROLLER PAD DETAILS



JUNCTION BOX DETAILS



NOTES:

SERVICE & JUNCTION BOX:

- CONDUIT CONNECTION TO BE FLUSH TO WITHIN 125 mm OF INSIDE FACE OF SIDE WALL, CONDUIT TO DRAIN INTO SERVICE BOX.
- CONDUIT CONNECTIONS TO SERVICE BOX SHALL BE TERMINATED WITH PLASTIC CABLE BUSHING.
- CONDUIT SHALL BE SEALED WITH APPROVED SEALER AT INSIDE WALL FACE.
- ALL SERVICE & JUNCTION BOXES TO HAVE 200 mm OF CRUSHED ROCK.

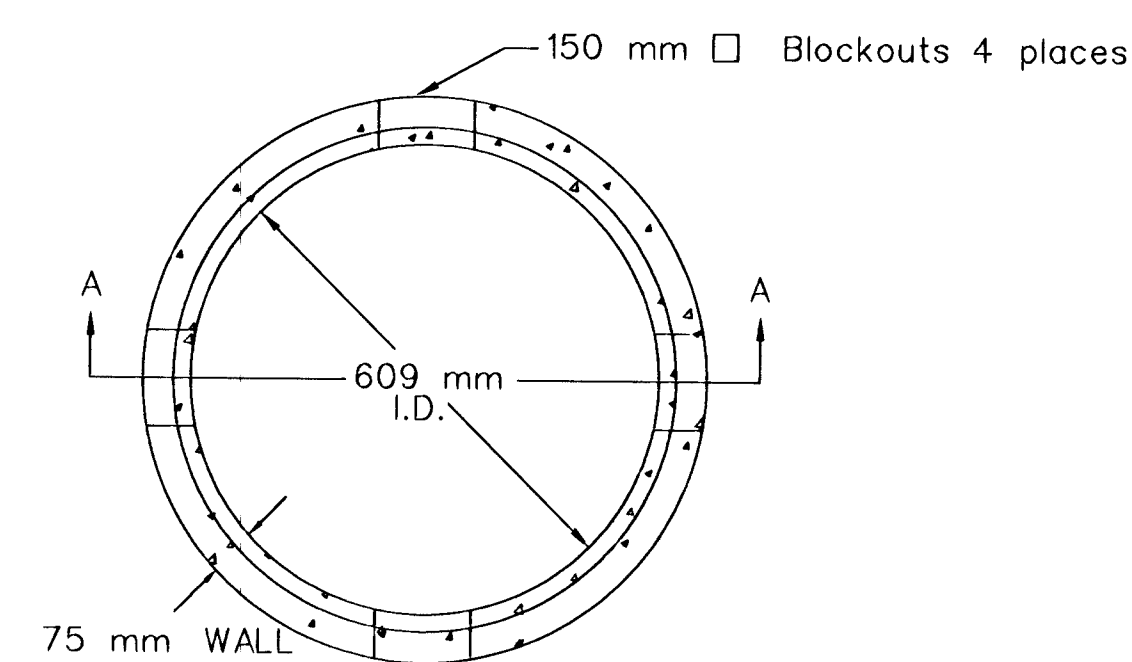
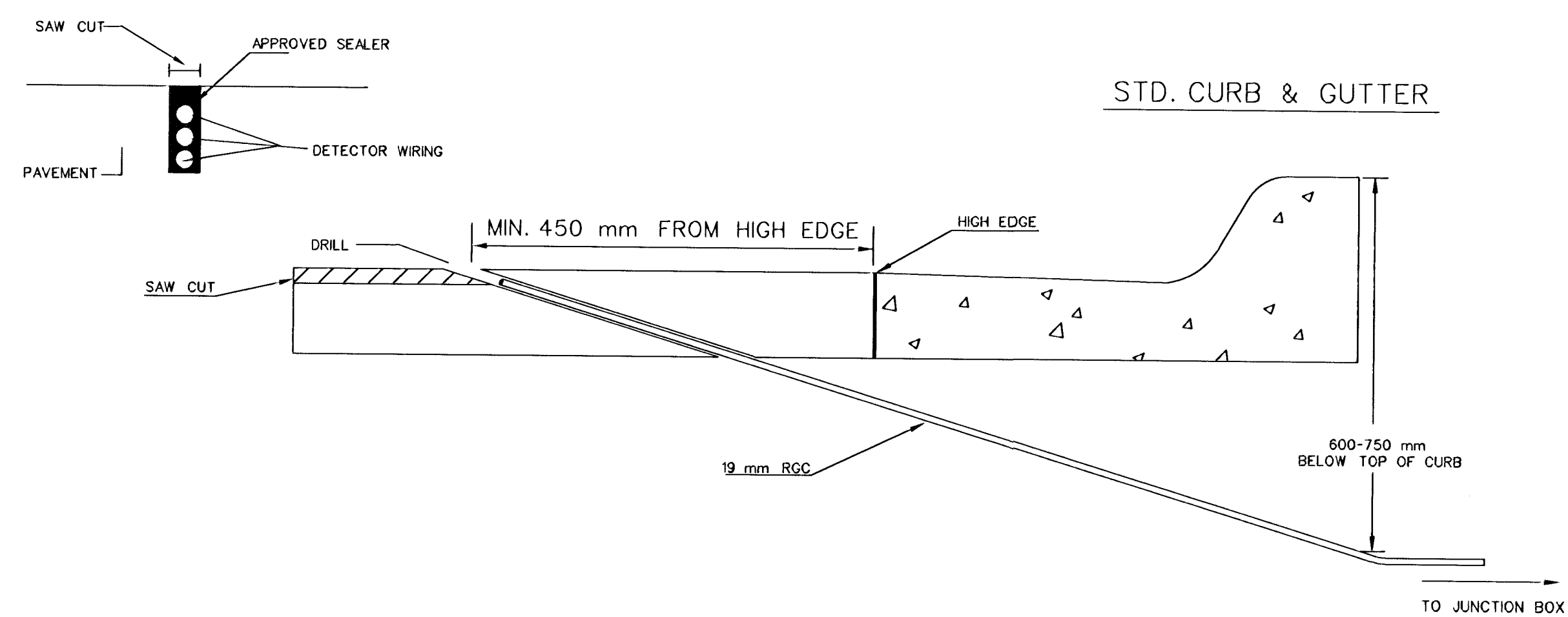
TRENCHING:

- DEPTH TO BE 750 mm MINIMUM WITH ROCK & STUBBLE FREE BACKFILL TO SERVE AS BEDDING MATERIAL. MAINTAIN MINIMUM CONDUIT DEPTH IN TRENCH.
- BACKFILL TO BE COMPACTED IN 150 mm LOOSE LIFTS BY HAND OR MECHANICAL TAMPING TO A 95% STANDARD DENSITY.

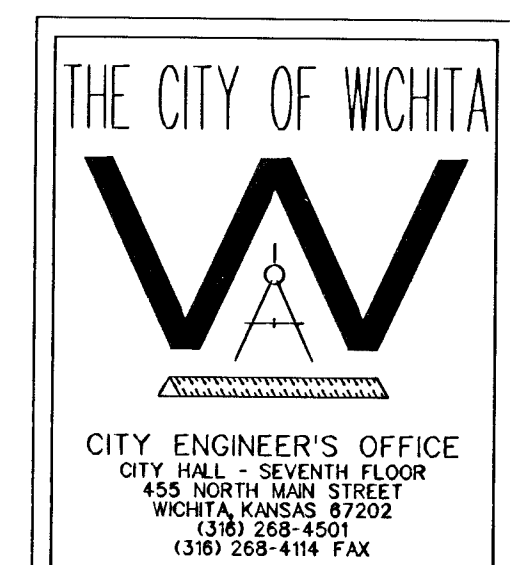
CONDUIT:

- SLOPE CONDUIT TO DRAIN AS DIRECTED BY THE ENGINEER.
- 75 mm RIGID STEEL CONDUIT BTWN. SERVICE BOXES.
32 mm " " " BTWN. SERVICE & JUNCTION BOXES.
19 mm " " " BTWN. JUNCTION BOXES.
19 mm " " " BTWN. JUNCTION BOX & DETECTOR LOOP SAW CUT

CONDUIT/DETECTOR WIRE INSTALLATION DETAILS



**SEE SERVICE BOX INSTALLATION FOR RING & COVER DETAILS.



SERVICE/JUNCTION BOX CONTROLLER PAD CONSTRUCTION INSTALLATION DETAILS

NEIL CABLE P.E. - CITY ENGINEER

PROJECT NUMBER XXX-XXXXX INDEX CODE XXXXXX

DATE MAR 96 SHEET 56 OF 85