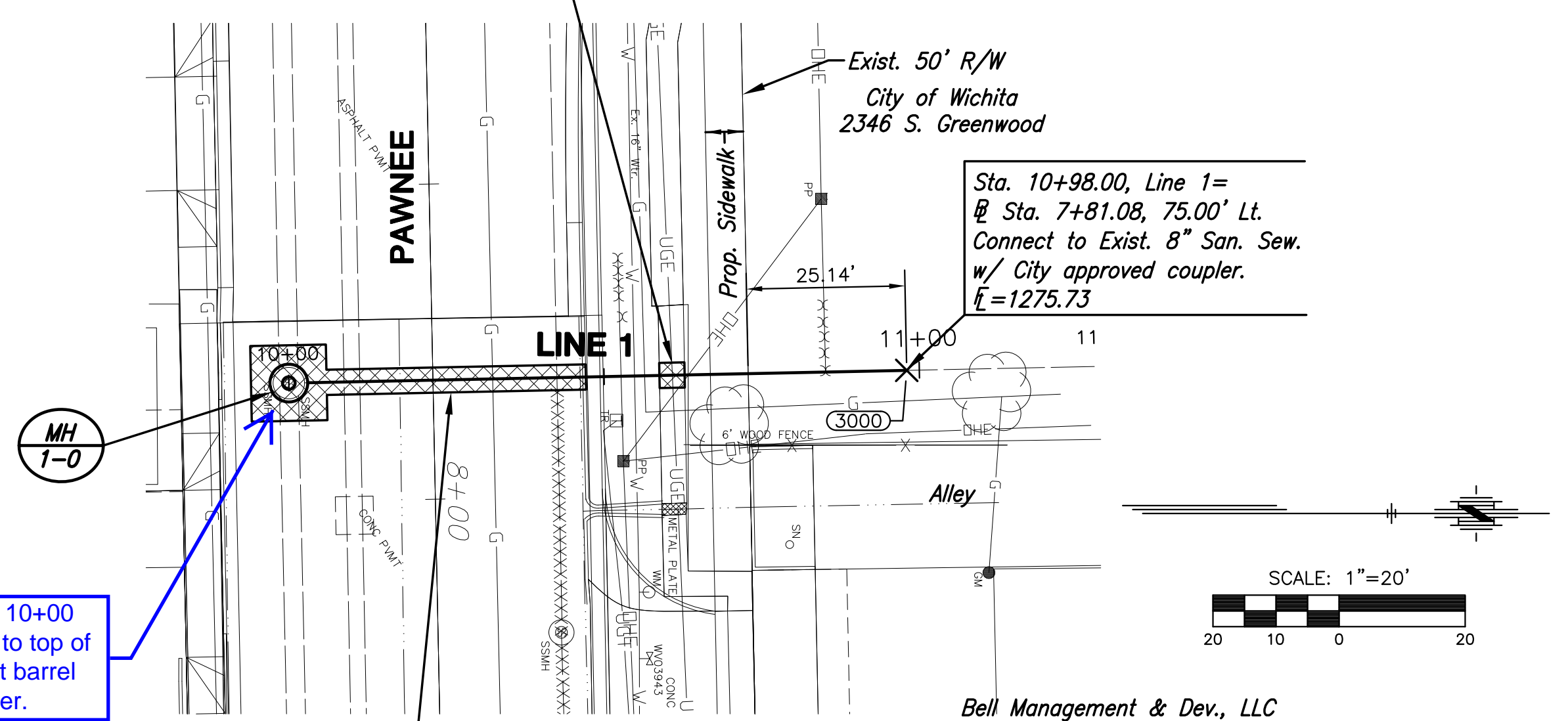


STATE	PROJECT NO.	YEAR	SHEET NO.	TOTAL SHEETS
KANSAS	87 N-0597-01	2016	84	191



STREET IMPROVEMENTS FOR:
PAWNEE AVENUE
FROM HYDRAULIC TO POPLAR
WICHITA, KANSAS

Construct 3.0 S.Y. of Temporary Utility Pavement Patch. See Sh. No. 83



MH #5544-001, STA 10+00
Line 1, removed MH to top of pipe, set new precast barrel sections, installed liner.

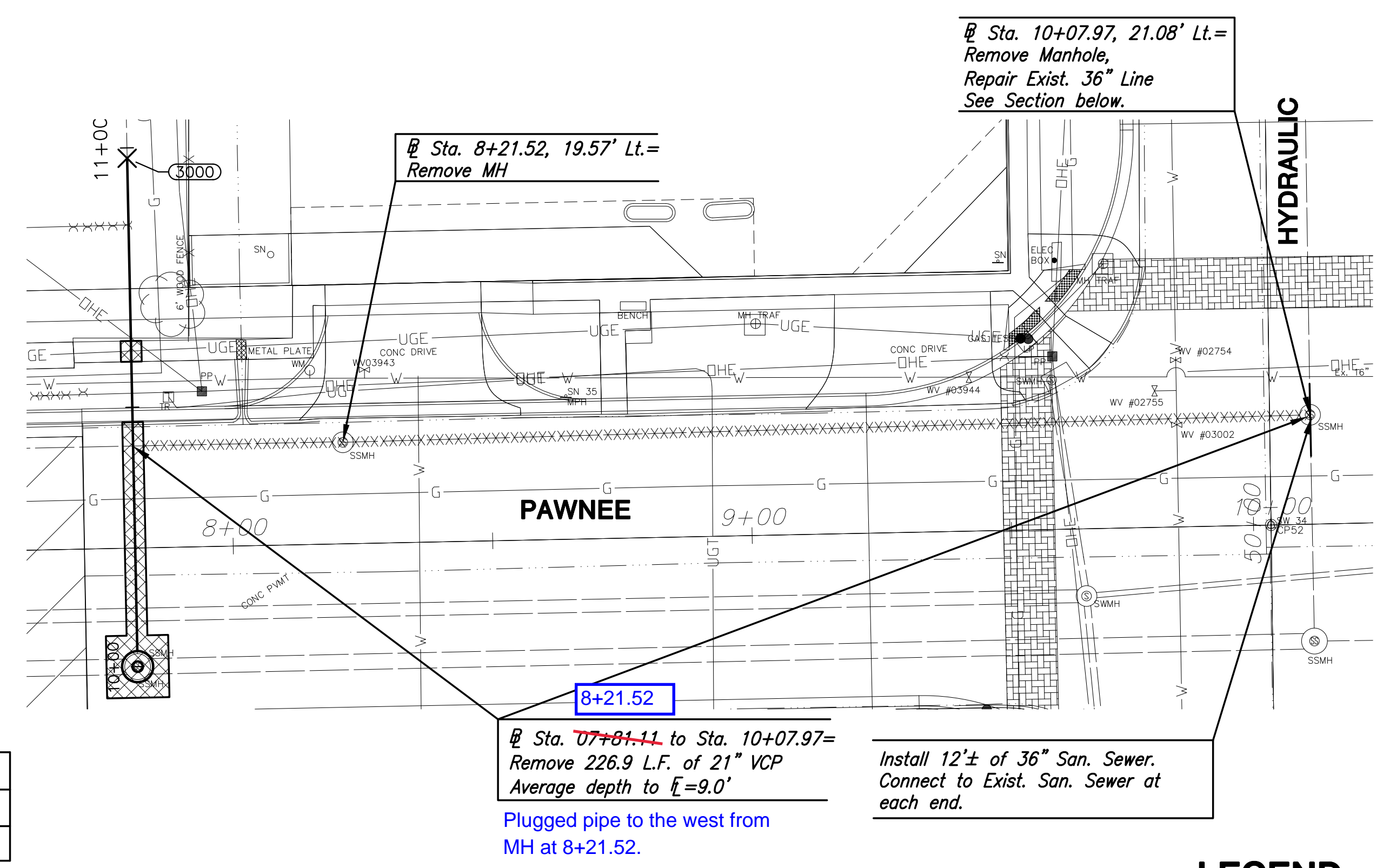
Construct 60.0 S.Y. of Temporary Utility Pavement Patch. See Sh. No. 83

PLAN LINE 1

Bell Management & Dev., LLC
1624 E. Pawnee Ave.



SANITARY SEWER POINTS					
Point #	Northing	Easting	Station	Offset	Desc.
3000	1672785.18	1654761.66	7+81.08	75.00' Lt.	Coupler



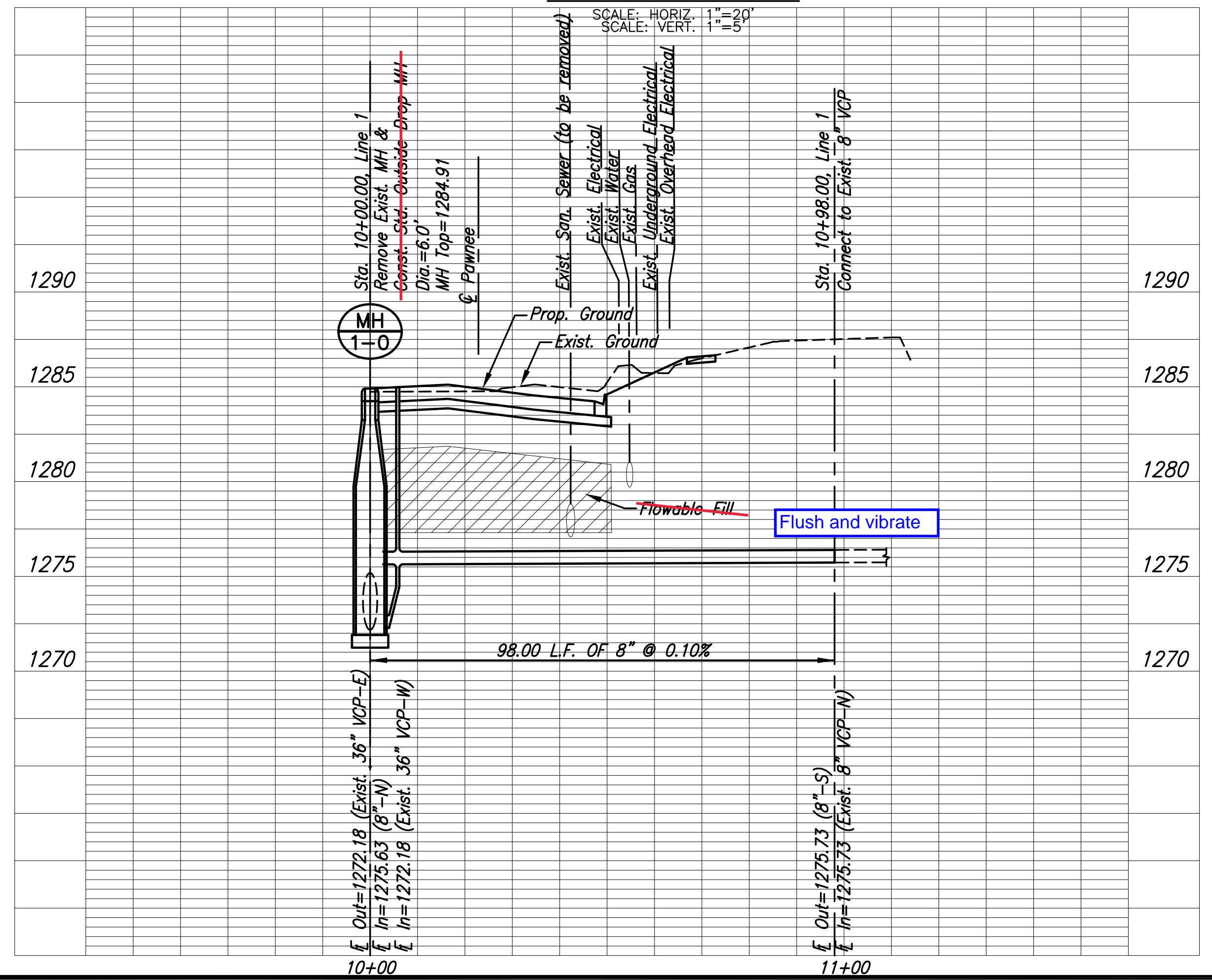
Plugged pipe to the west from MH at 8+21.52.

Install 12'± of 36" San. Sewer. Connect to Exist. San. Sewer at each end.

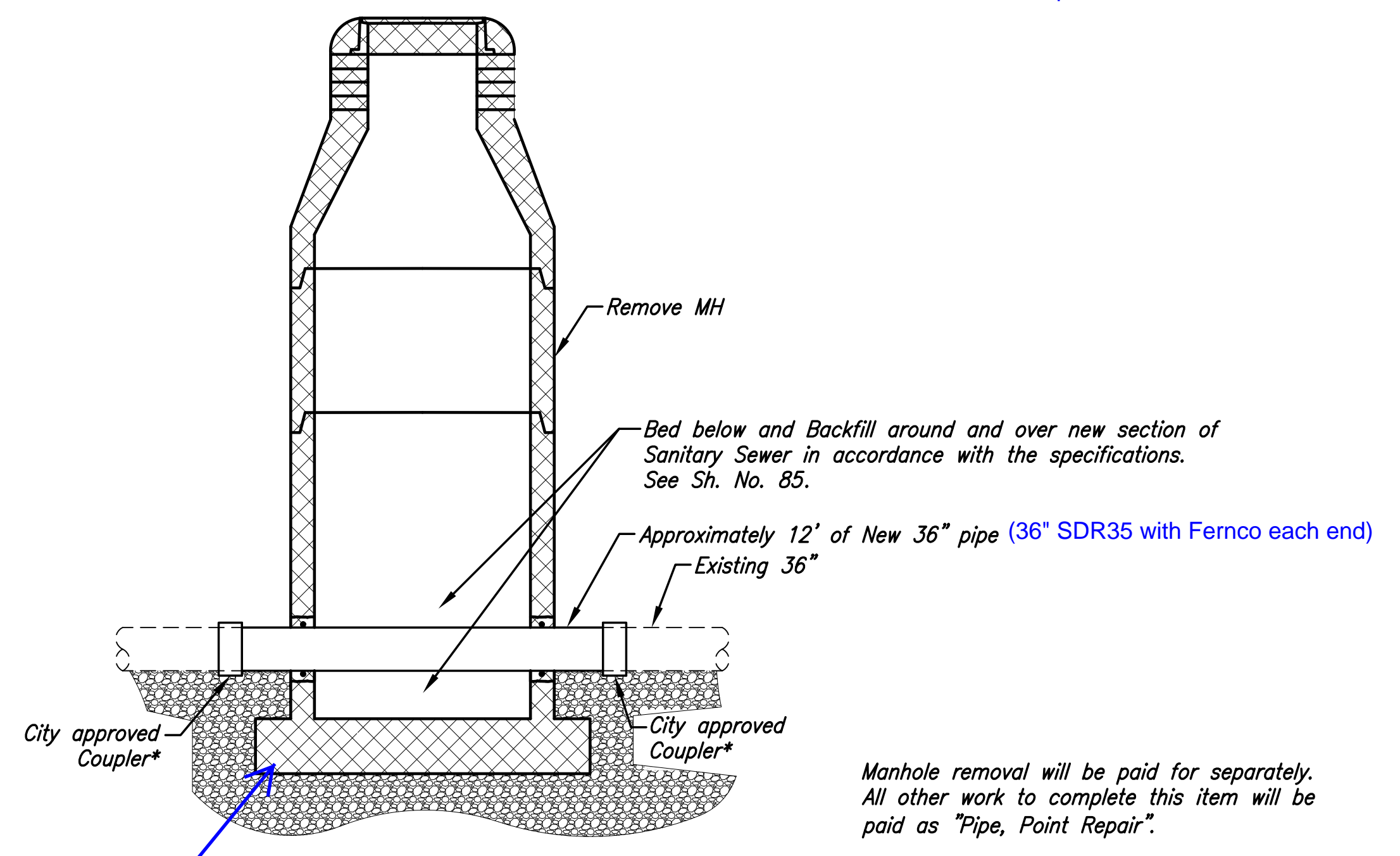
LEGEND

XXXXXXXXXXXXXXXXXXXXXXXXXXXX REMOVE EXISTING
Abandon with flowable fill per Addendum 2.

PROFILE LINE 1



Flush and vibrate



SECTION

MH base left in place.

REMOVE EXISTING 21" LINE - Sta. 07+81.11 to Sta. 10+07.97

LEGEND

XXXXXX Sanitary Sewer Removal

©2013 MKEC Engineering All Rights Reserved
These drawings and their contents, including, but not limited to, all concepts, designs, & ideas are the exclusive property of MKEC Engineering (MKEC), and may not be used or reproduced in any way without the express consent of MKEC.

SANITARY SEWER LINE 1	
PROJECT NO.	87 N-0597-01
DATE	DATE
SCALE	1"=20'
DESIGNED	DRAWN
JRA	JSB
CHECKED	JRA

NO.	REVISION	DATE
SHEET NO.		
84 OF 191		