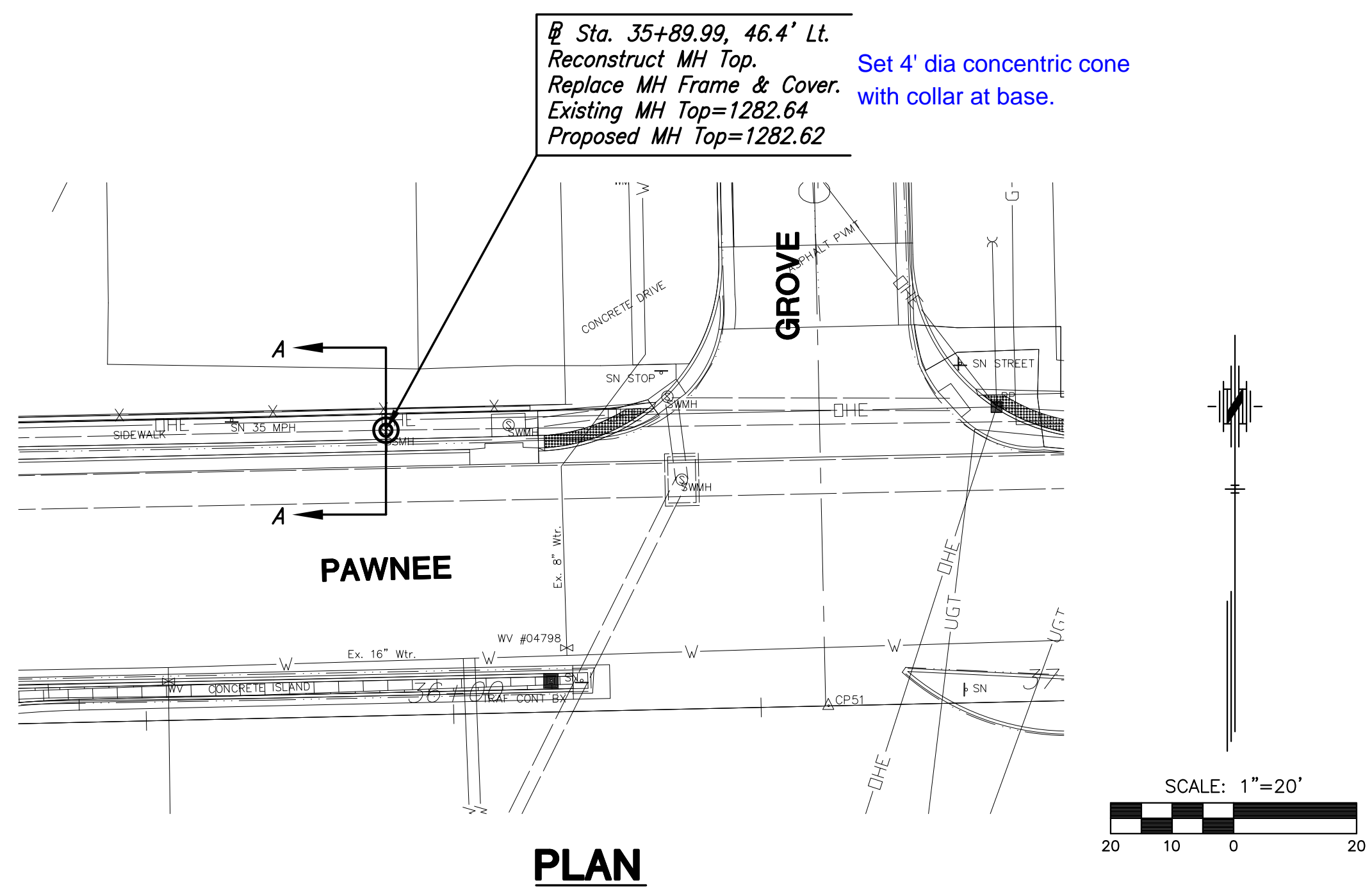
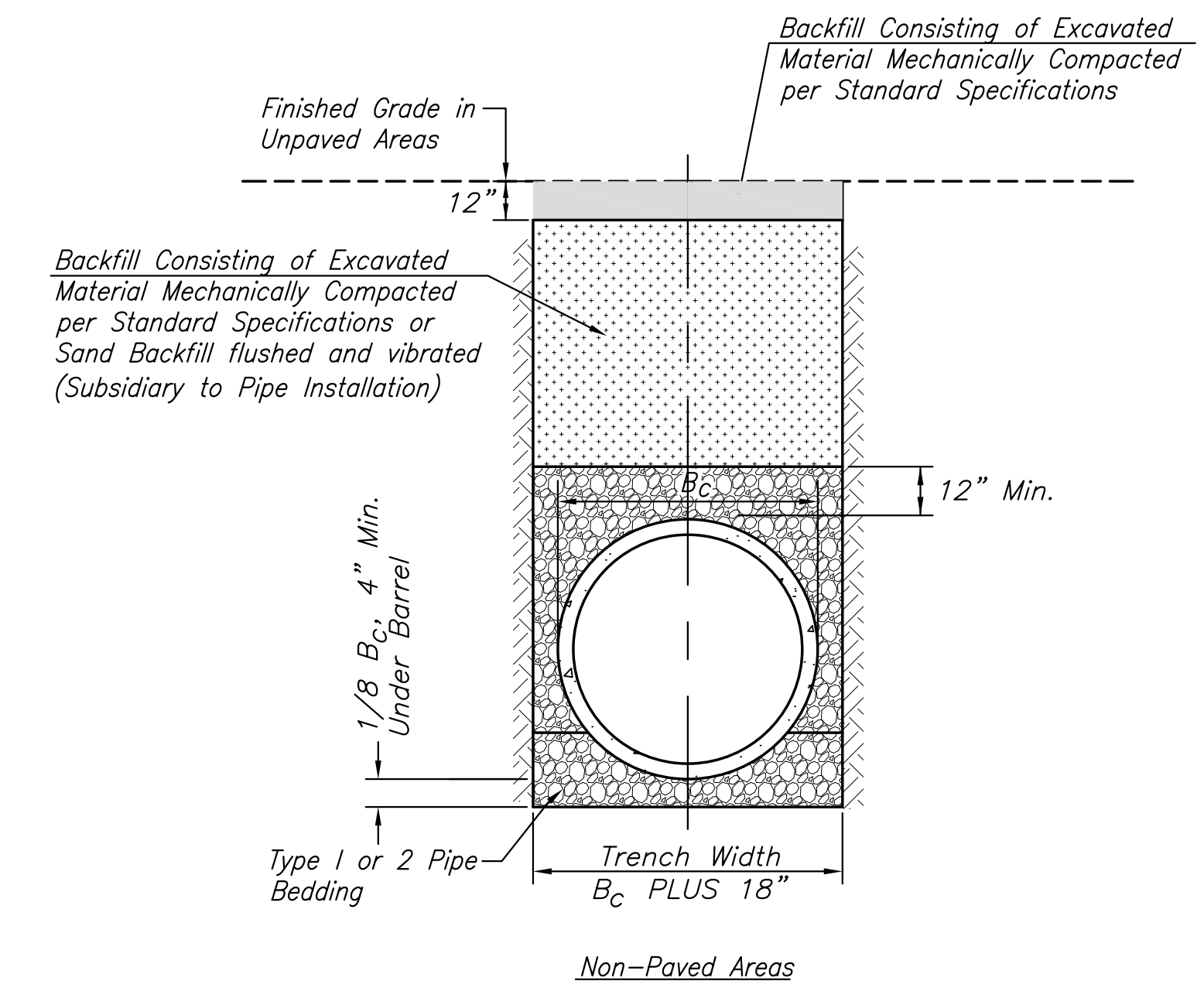


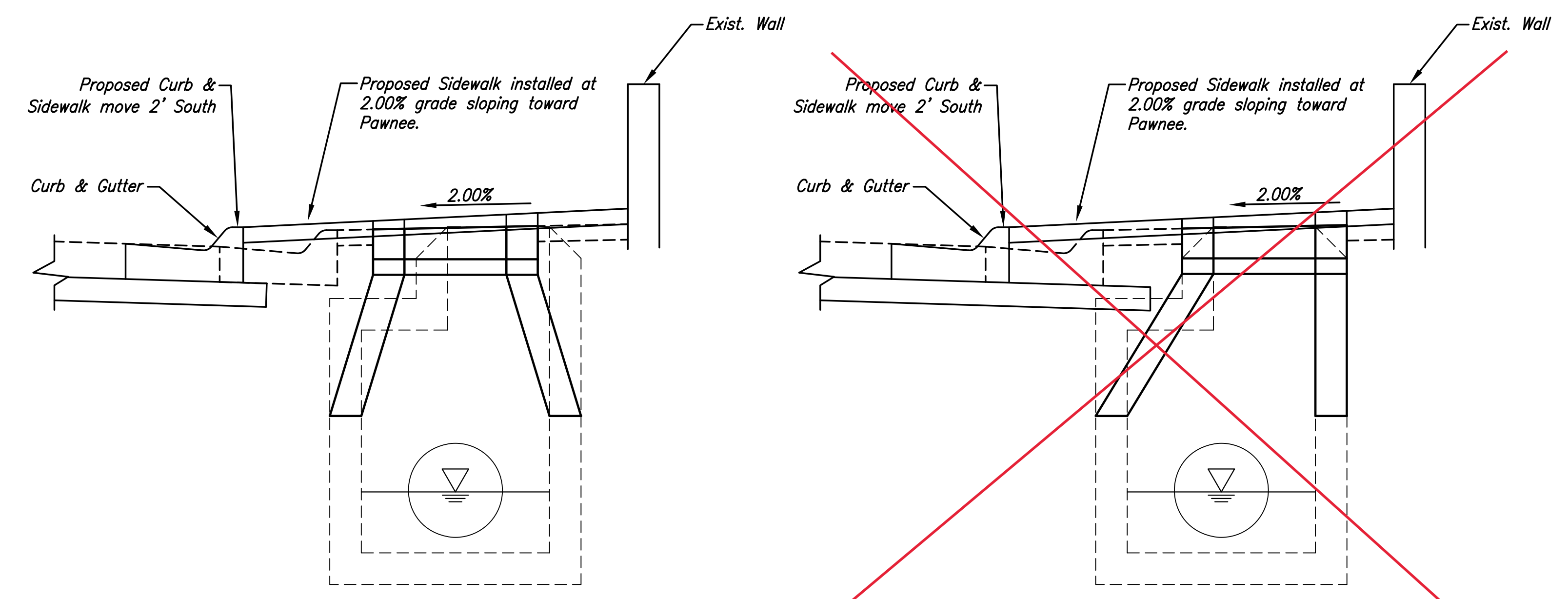
STATE	PROJECT NO.	YEAR	SHEET NO.	TOTAL SHEETS
KANSAS	87 N-0597-01	2016	85	191



PLAN
RECONSTRUCT MH TOP - STA. 35+89.99



SANITARY SEWER TRENCH DETAIL
(NON-PAVED AREAS)

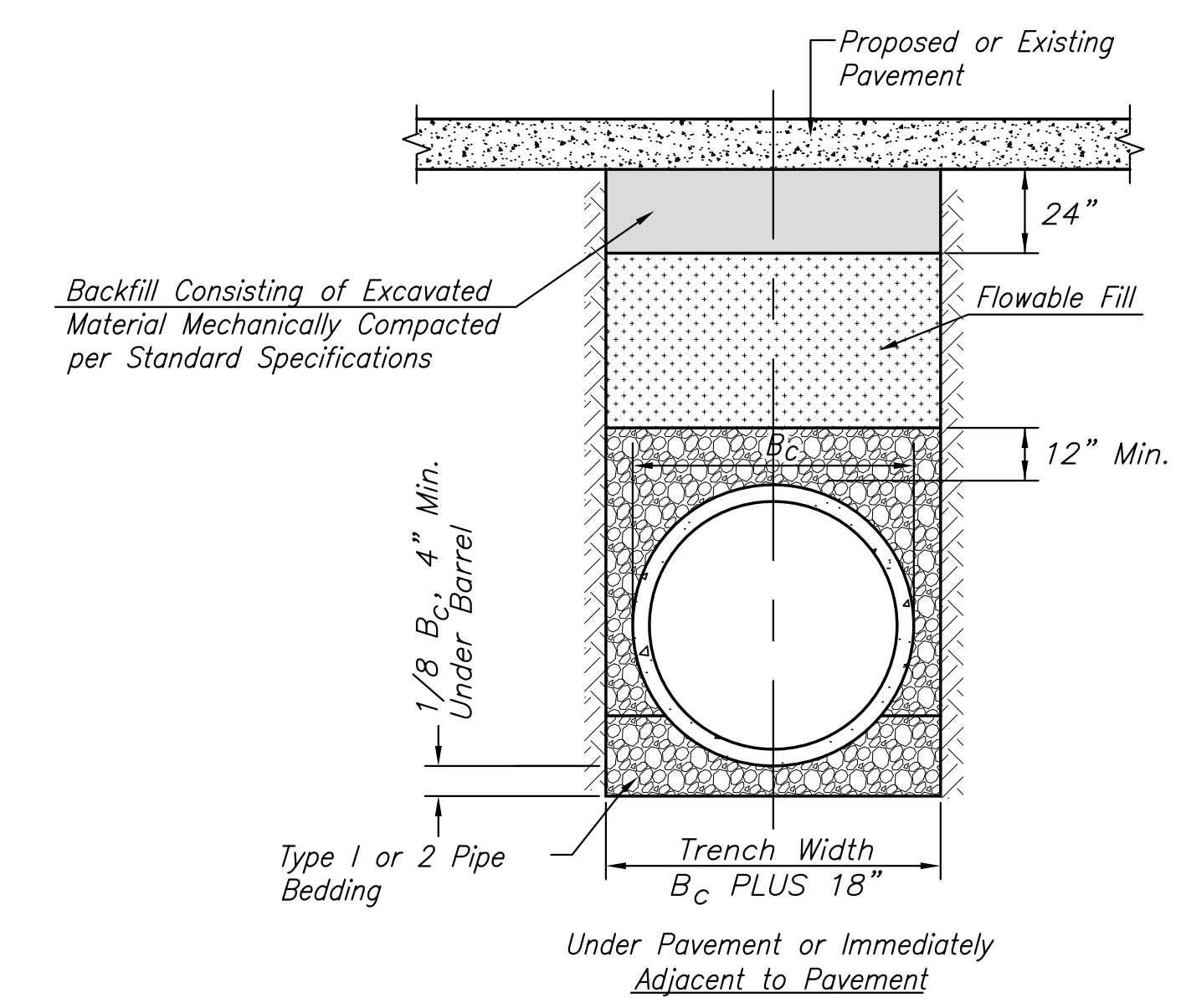


SECTION A-A
Option 1 - Install Concentric Cone, if Possible

SECTION A-A
Option 2 - Install Eccentric Cone

This option shall be constructed if possible. Contractor shall determine the possibility of pursuing this option prior to constructing the improvement and ordering materials. No cost adjustment will be made regardless of option constructed or effort involved in determining option 1 feasibility.

SECTION A-A OPTIONS 1 & 2
RECONSTRUCT MH TOP - STA. 35+89.99



SANITARY SEWER TRENCH DETAIL
(UNDER PAVEMENT)

STREET IMPROVEMENTS FOR:
PAWNEE AVENUE
FROM HYDRAULIC TO POPLAR
WICHITA, KANSAS

©2013
MKEC Engineering
All Rights Reserved
www.mkec.com
These drawings and their contents, including, but not limited to, all concepts, designs, & ideas are the exclusive property of MKEC Engineering (MKEC), and may not be used or reproduced in any way without the express consent of MKEC.

SANITARY SEWER MH REPLACEMENT
STA. 35+89.99

PROJECT NO. 87 N-0597-01

DATE DATE

SCALE 1"=20'

DESIGNED DRAWN CHECKED
JRA JSB JRA

NO.	REVISION	DATE

SHEET NO.