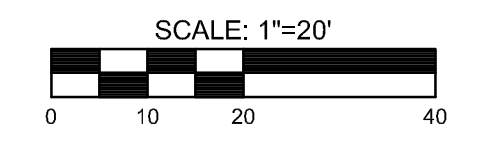
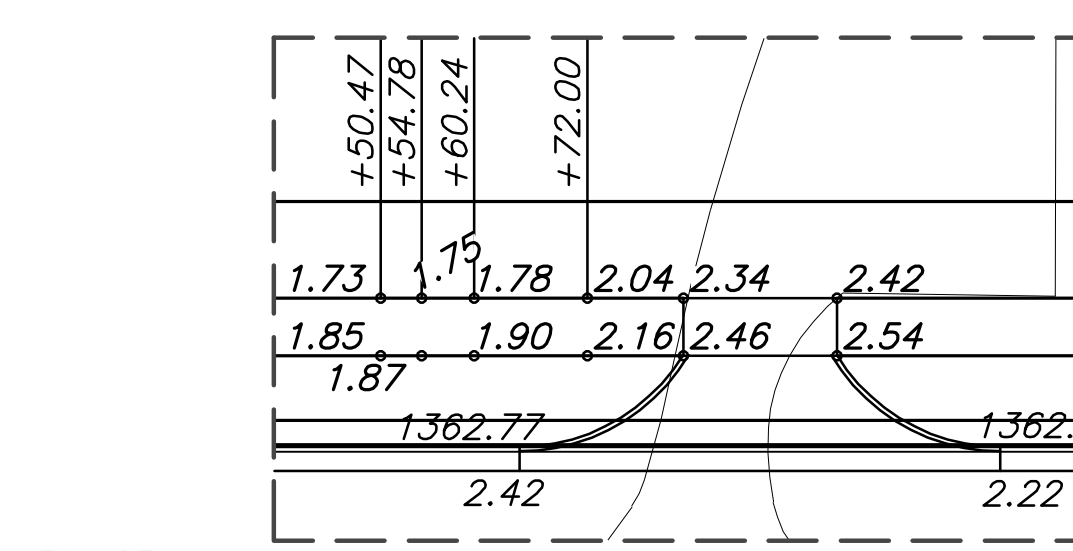
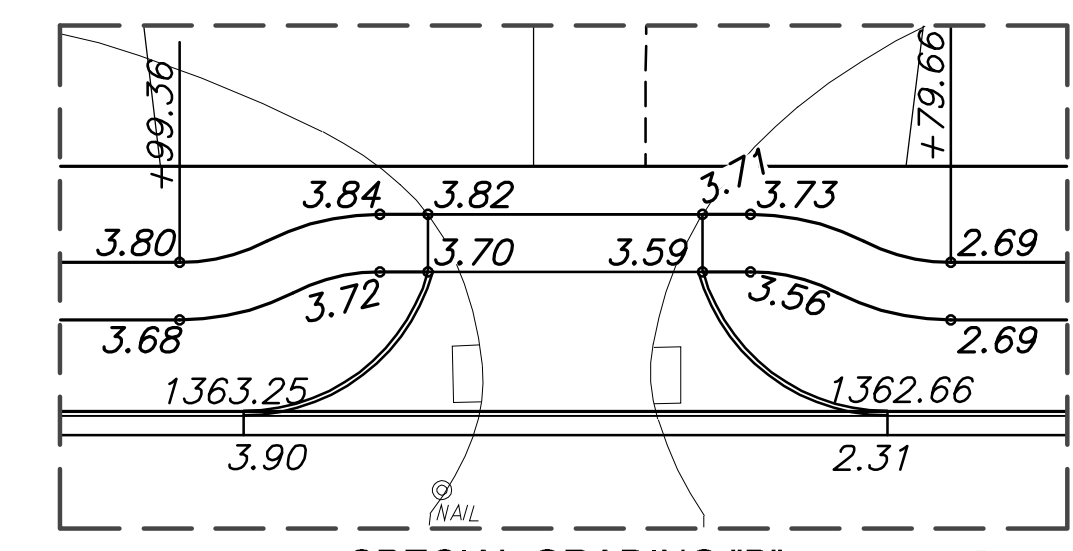
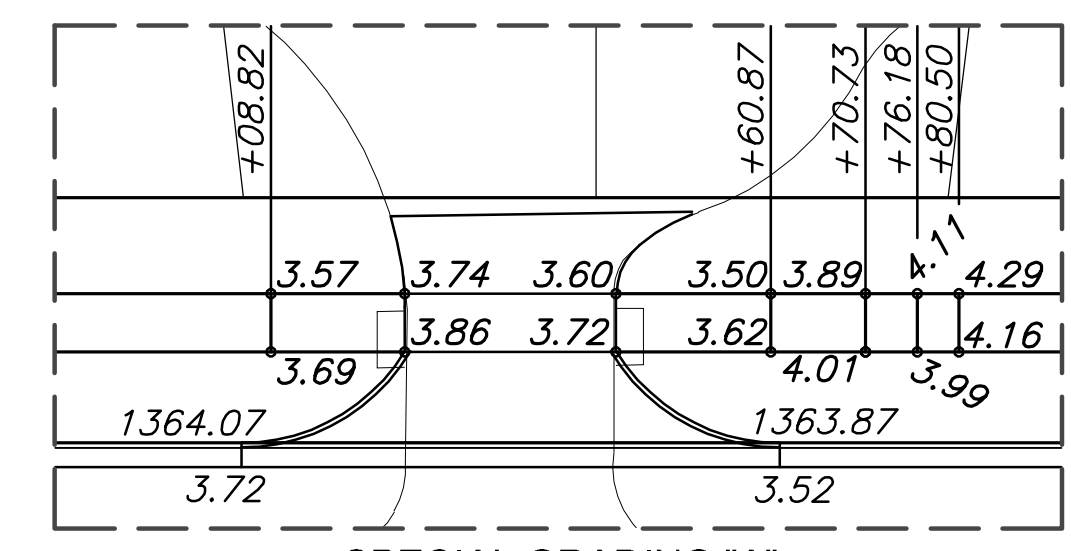
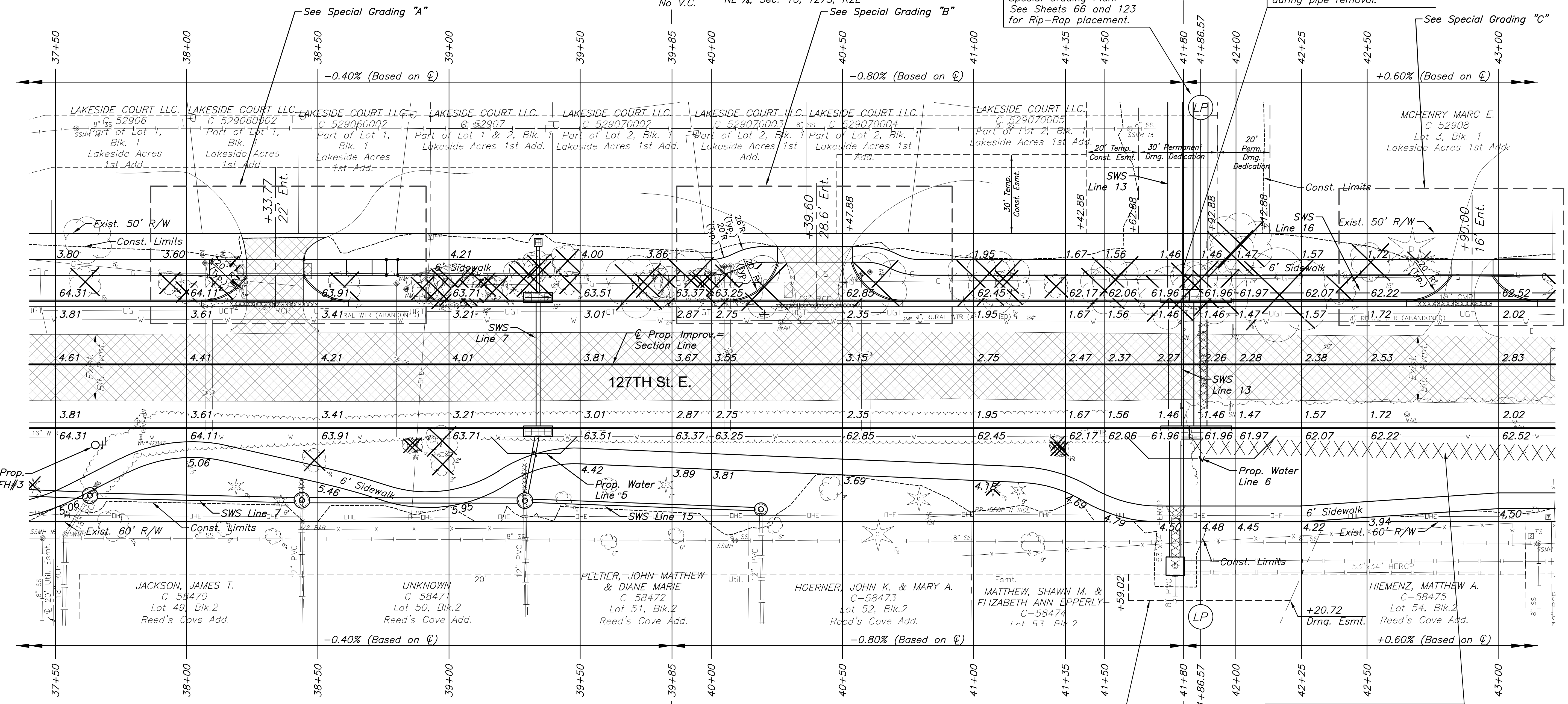


PLOTTED: Wednesday, November 29, 2017 @ 02:20PM
 J:\PROJECTS\2017\140104290 - COM_127THE 13TH TO 21ST\05-CIVIL\CAO\PAV\428\REV06.DWG

STATE	PROJECT NO.	YEAR	SHEET NO.	TOTAL SHEETS
KANSAS	87 N-0615-01	2017	10	183



Sta. 41+70 to Sta. 41+95,
Remove 25' of abandoned gas
line. Plug ends. A Phillips 66
representative must be present
during pipe removal.



STATION	OFFSET	EXIST. ELEV.	PROP. ELEV.	REMARKS
37+68.06	30.74' RT.		1364.46	VALVE BOX ADJUSTED
37+82.58	27.70' RT.		1364.46	VALVE BOX ADJUSTED
38+07.07	38.66' LT.	1363.27		WATER METER RELOCATED
38+09.81	39.32' LT.	1363.44		WATER METER RELOCATED
38+80.02	30.92' LT.	1362.25		WATER METER RELOCATED
38+83.62	28.80' LT.	1361.86		WATER METER RELOCATED
40+05.11	37.33' LT.	1362.6		WATER METER RELOCATED
40+07.32	37.55' LT.	1362.61		WATER METER RELOCATED
40+57.23	34.27' LT.	1363.62		WATER METER RELOCATED
40+60.57	35.24' LT.	1363.65		WATER METER RELOCATED
41+59.47	89.91' LT.	1360.76	1361.14	MH ADJUSTED

P.V.I. Sta. 39+85
Elev.=1363.67
No V.C.
NE 1/4, Sec. 10, T27S, R2E

P.V.I. Sta. 41+80
Elev.=1362.11
90' V.C.
NW 1/4, Sec. 11, T27S, R2E

	Pavement Removal
	Construct Wheelchair Ramp See Sh. No. 53
	Tree Removal
	Tree Row Removal
	Tree Area Removal
	Storm Sewer Removal

STREET IMPROVEMENTS FOR
127TH STREET EAST
 FROM 13TH STREET NORTH TO 21ST STREET NORTH

©2017
MKEC Engineering
All Rights Reserved
www.mkec.com
These drawings and their contents,
including, but not limited to, all concepts,
designs, & ideas are the exclusive
property of MKEC Engineering (MKEC),
and may not be used or reproduced in any
way without the express consent of MKEC.

PAVING PLAN STA. 37+50 TO STA. 43+00	
PROJECT NO.	472-85158
DATE	11/29/17
SCALE	1"=20'
DESIGNED	JRA
DRAWN	WNJ
CHECKED	JRA
NO.	REVISION
SHEET NO. 10 OF 183	