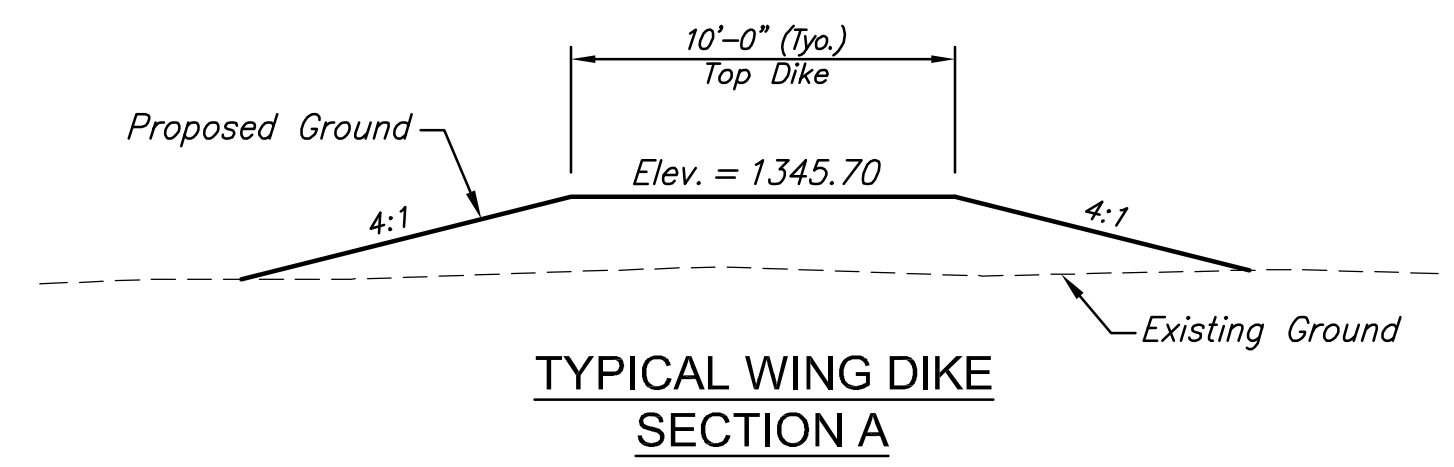
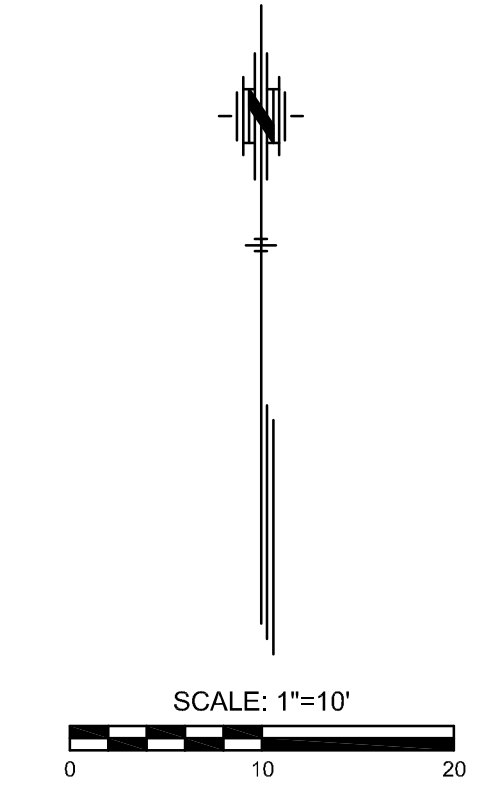
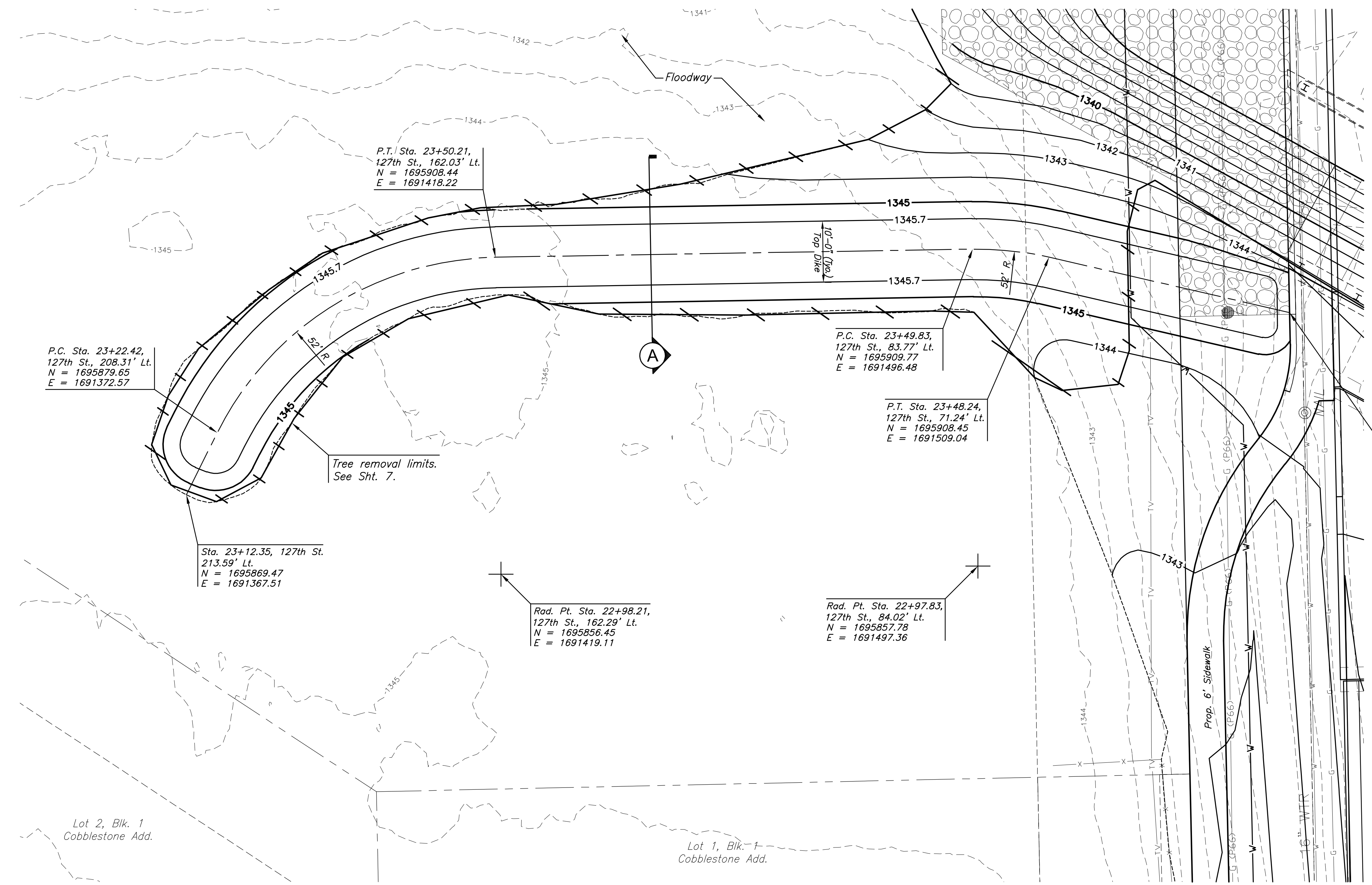


J:\PROJECTS\2017\1401040290 - COM_127THE 13TH TO 21ST\05-CIVIL\CAD\GRD\4290GRD.DWG
 PLOTTED: Wednesday, November 29, 2017 @ 02:23PM

STATE	PROJECT NO.	YEAR	SHEET NO.	TOTAL SHEETS
KANSAS	87 N-0615-01	2017	16	183



**SPECIAL GRADING PLAN - STA. 23+50
WING DIKE (WEST OF BRIDGE)**

STREET IMPROVEMENTS FOR
127TH STREET EAST
 FROM 13TH STREET NORTH TO 21ST STREET NORTH

©2017
 MKEC Engineering
 All Rights Reserved
 www.mkec.com
 These drawings and their contents, including, but not limited to, all concepts, designs, & ideas are the exclusive property of MKEC Engineering (MKEC), and may not be used or reproduced in any way without the express consent of MKEC.

SPECIAL GRADING PLAN

PROJECT NO.	472-85158
DATE	11/29/17
SCALE	1"=10'
DESIGNED	JRA
DRAWN	DMU
CHECKED	JRA

NO.	REVISION	DATE

SHEET NO.
16 OF 183