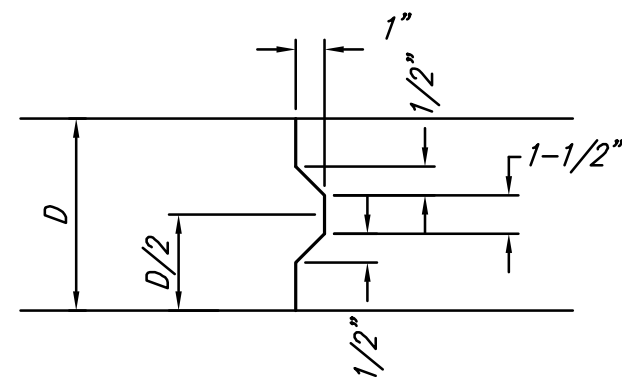
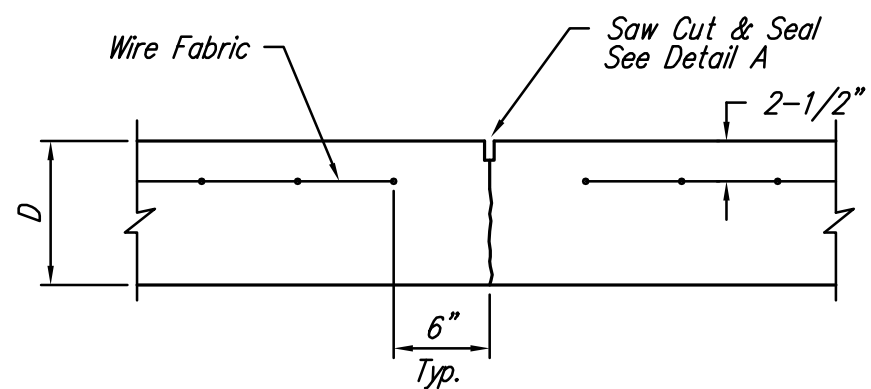


EXPANSION JOINT

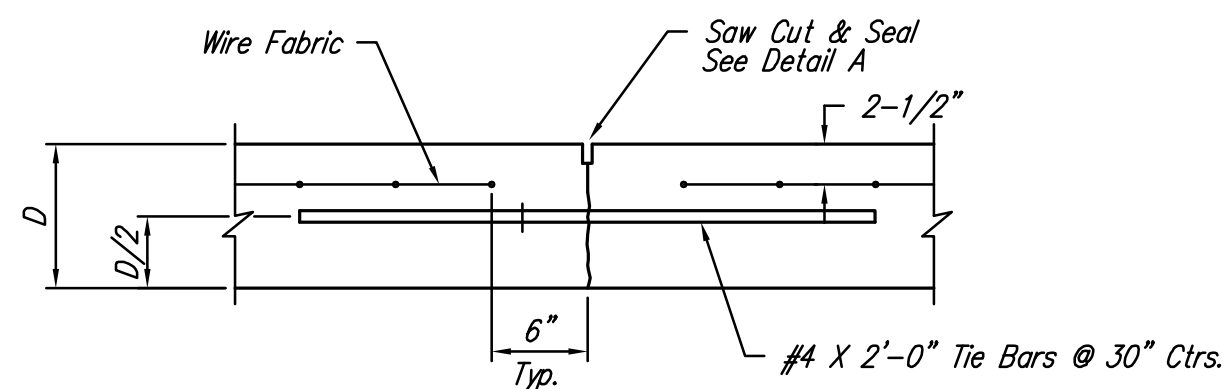
NOTE: Extra Thickness to be Subsidiary to Price of Square Yards Pavement



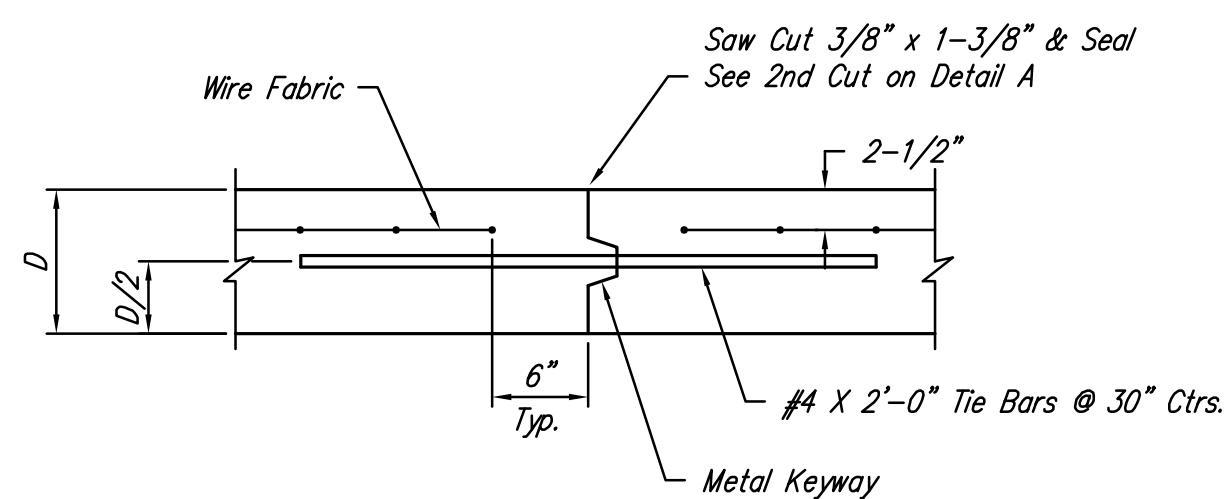
KEYWAY DETAIL



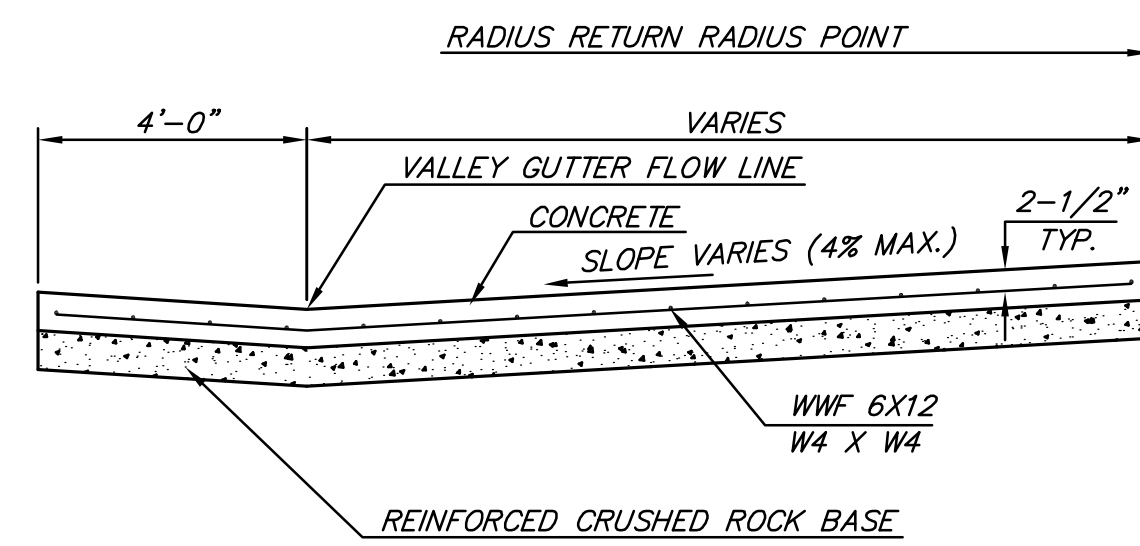
CONTRACTION JOINT DETAIL (C.J.)



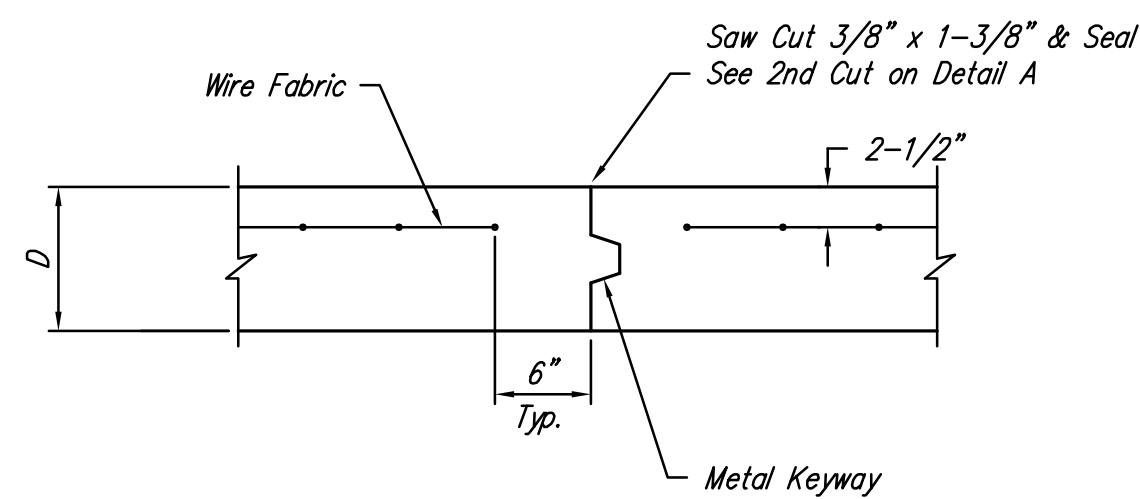
LONGITUDINAL JOINT DETAIL (L.J.)



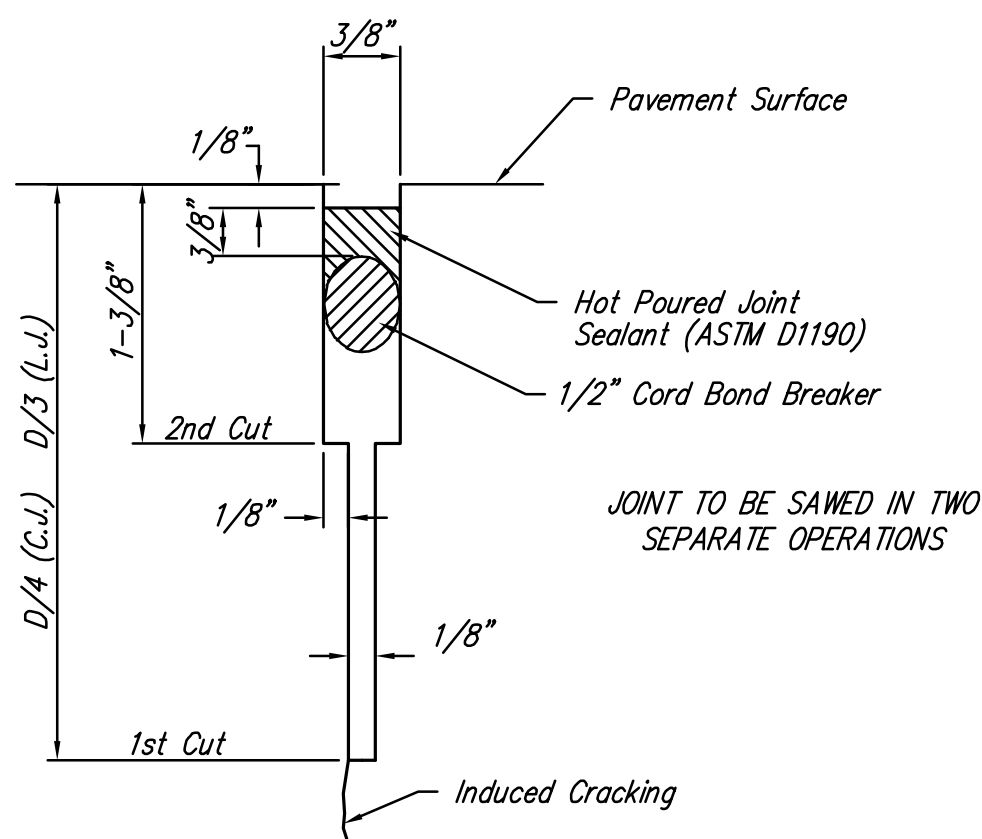
OPTIONAL LONGITUDINAL JOINT DETAIL (L.J.)



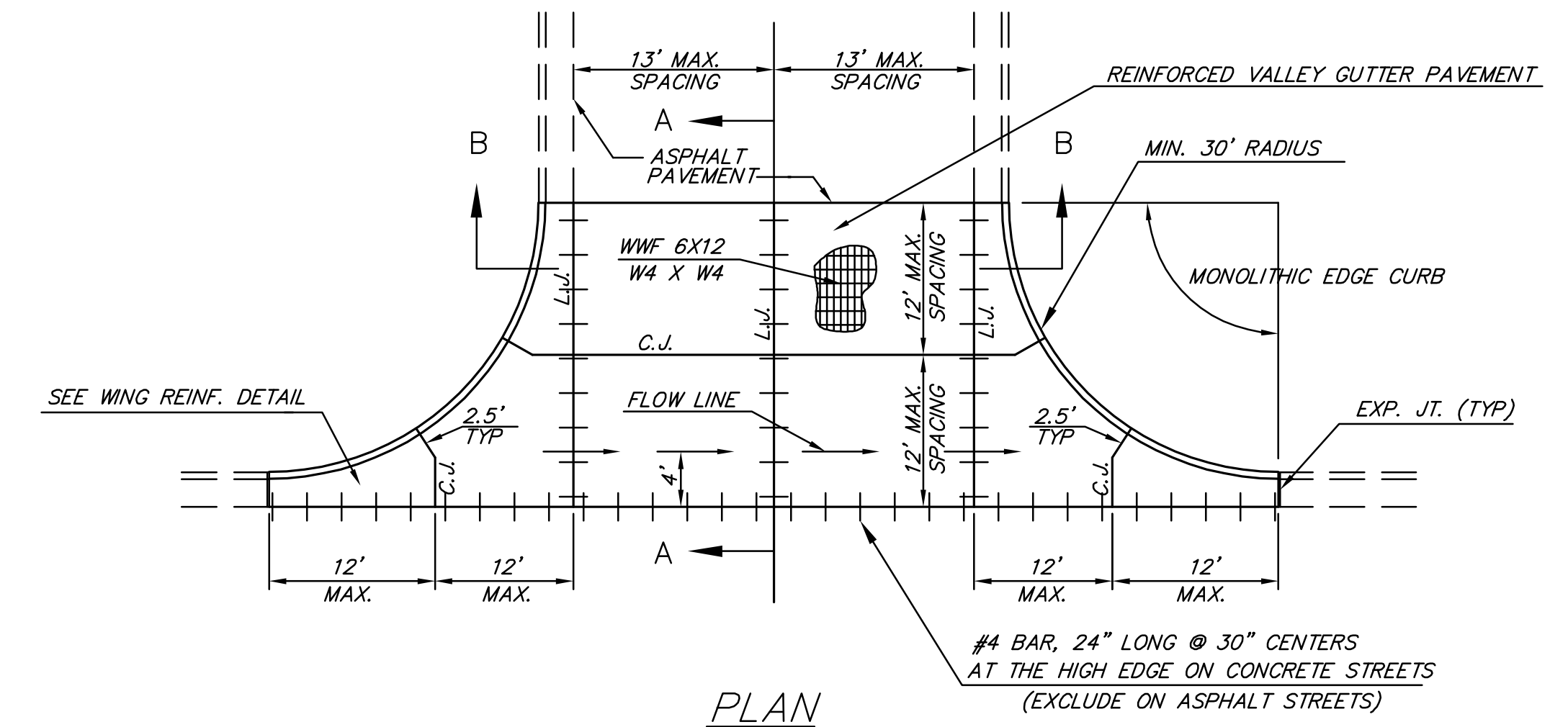
SECTION A-A



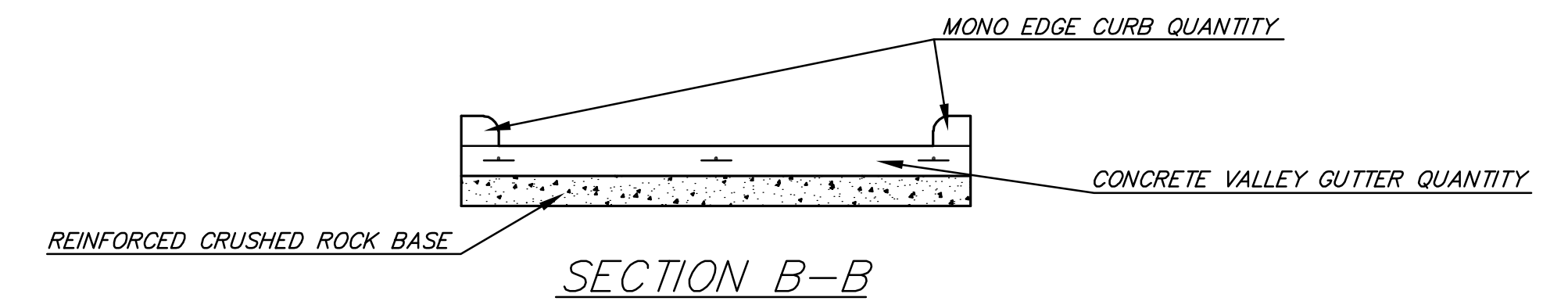
OPTIONAL CONTRACTION JOINT



SAW JOINT DETAIL (DETAIL A)

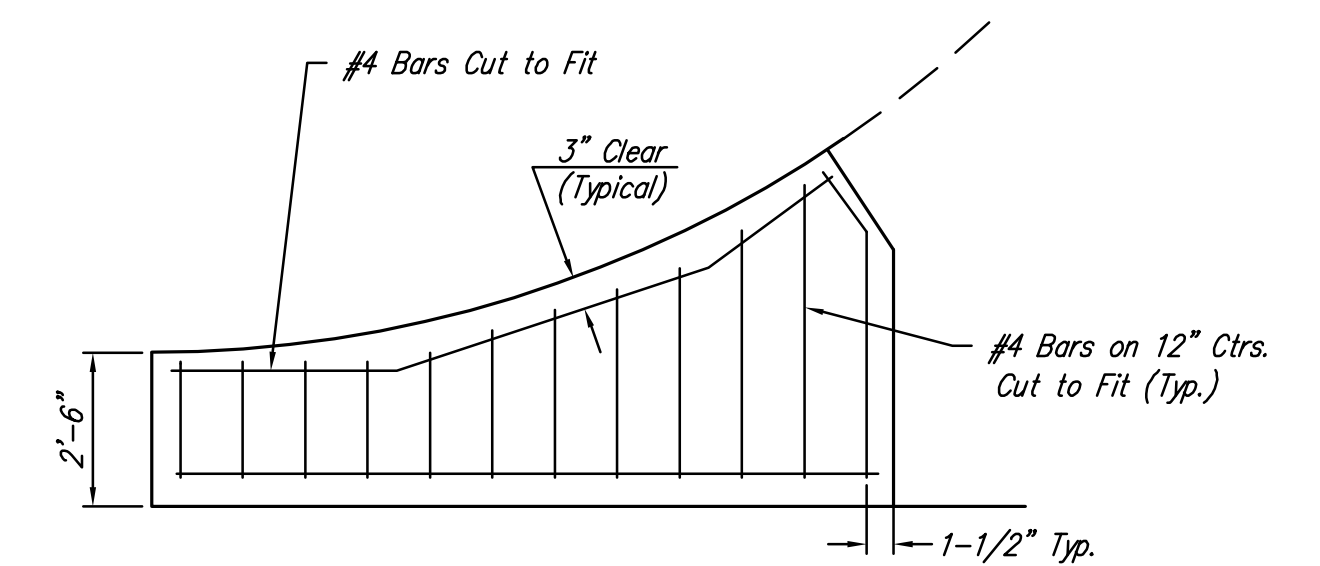


PLAN



SECTION B-B

REINFORCED VALLEY GUTTER DETAIL



WING REINFORCING DETAIL

REVISED: NOVEMBER 2015

| | | | | | |
|--|----------------------|------|---|-----------|--|
| | | | VALLEY GUTTER DETAILS | | |
| | | | CITY ENGINEER GARY JANZEN, P.E. | | |
| PROJECT NUMBER 472-85158 | OCA NUMBER 707065 | DATE | | | |
| CITY ENGINEER'S OFFICE CITY HALL - SEVENTH FLOOR 455 NORTH MAIN STREET WICHITA, KANSAS 67202-1620 (316) 268-4501 | | | SHEET | 48 OF 183 | |