

STATE	PROJECT NO.	YEAR	SHEET NO.	TOTAL SHEETS
KANSAS	87 N-0615-01	2017	65	183



STREET IMPROVEMENTS FOR
127TH STREET EAST
FROM 13TH STREET NORTH TO 21ST STREET NORTH

©2017 MKEC Engineering
All Rights Reserved
www.mkec.com
These drawings and their contents, including, but not limited to, all concepts, designs, & ideas are the exclusive property of MKEC Engineering (MKEC), and may not be used or reproduced in any way without the express consent of MKEC.

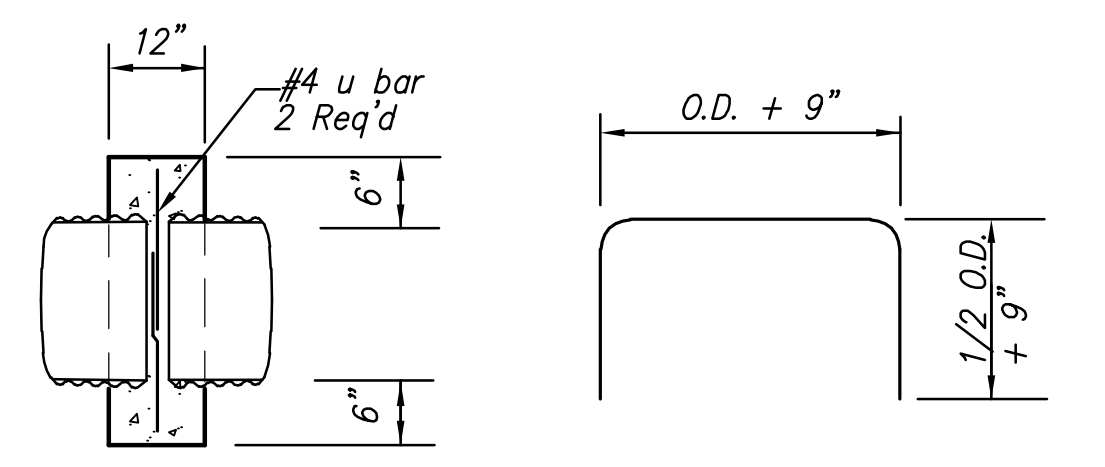
MISCELLANEOUS STORM SEWER DETAILS

PROJECT NO.	472-85158	
DATE	11/29/17	
SCALE	NTS	
DESIGNED	DRAWN	CHECKED
JRA	LES	JRA

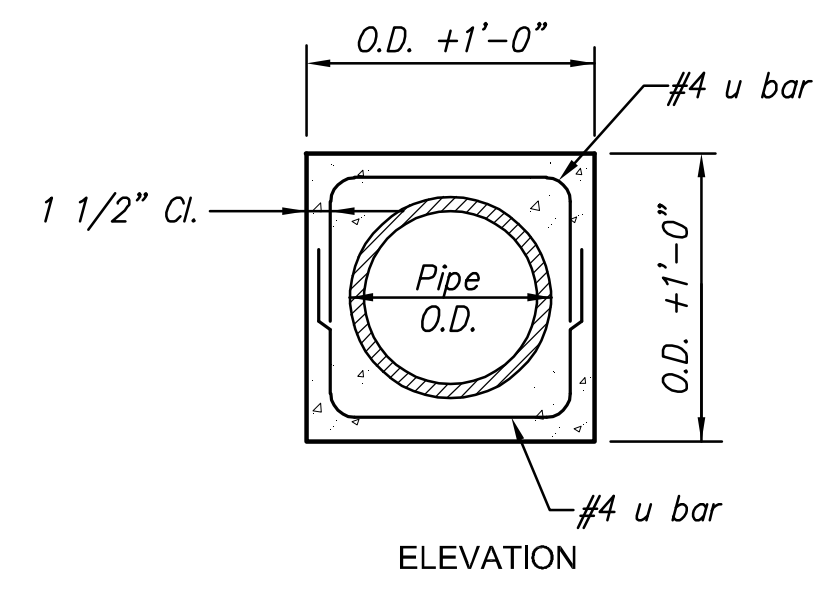
NO.	REVISION	DATE

SHEET NO.
65 OF 183

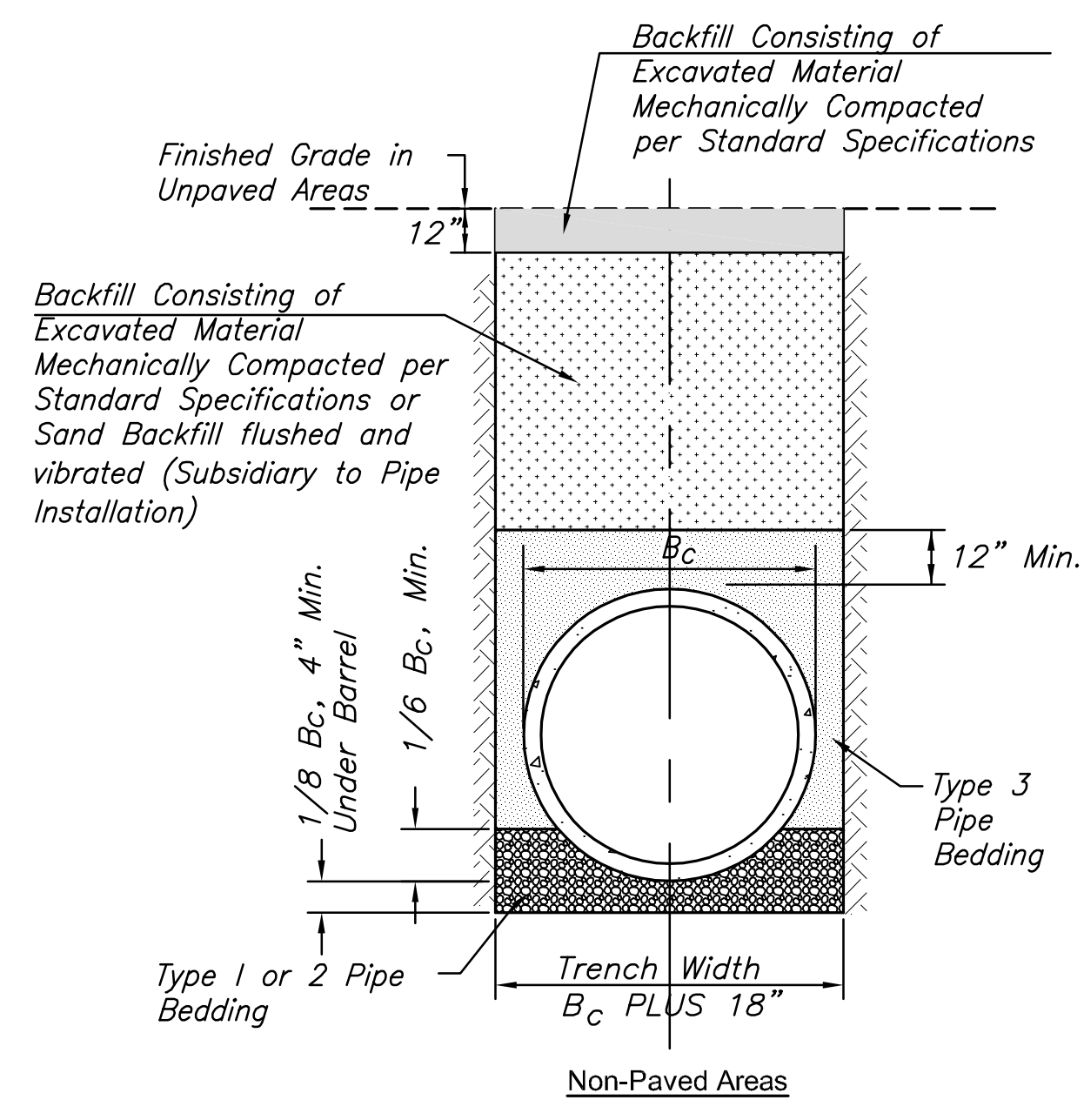
PLOTTED: Wednesday, November 29, 2017 @ 02:55PM
J:\PROJECTS\2017\1401040290 - COM_127THE_13TH TO 21ST\05-CIVIL\CAD\SWS\14290DD01.DWG



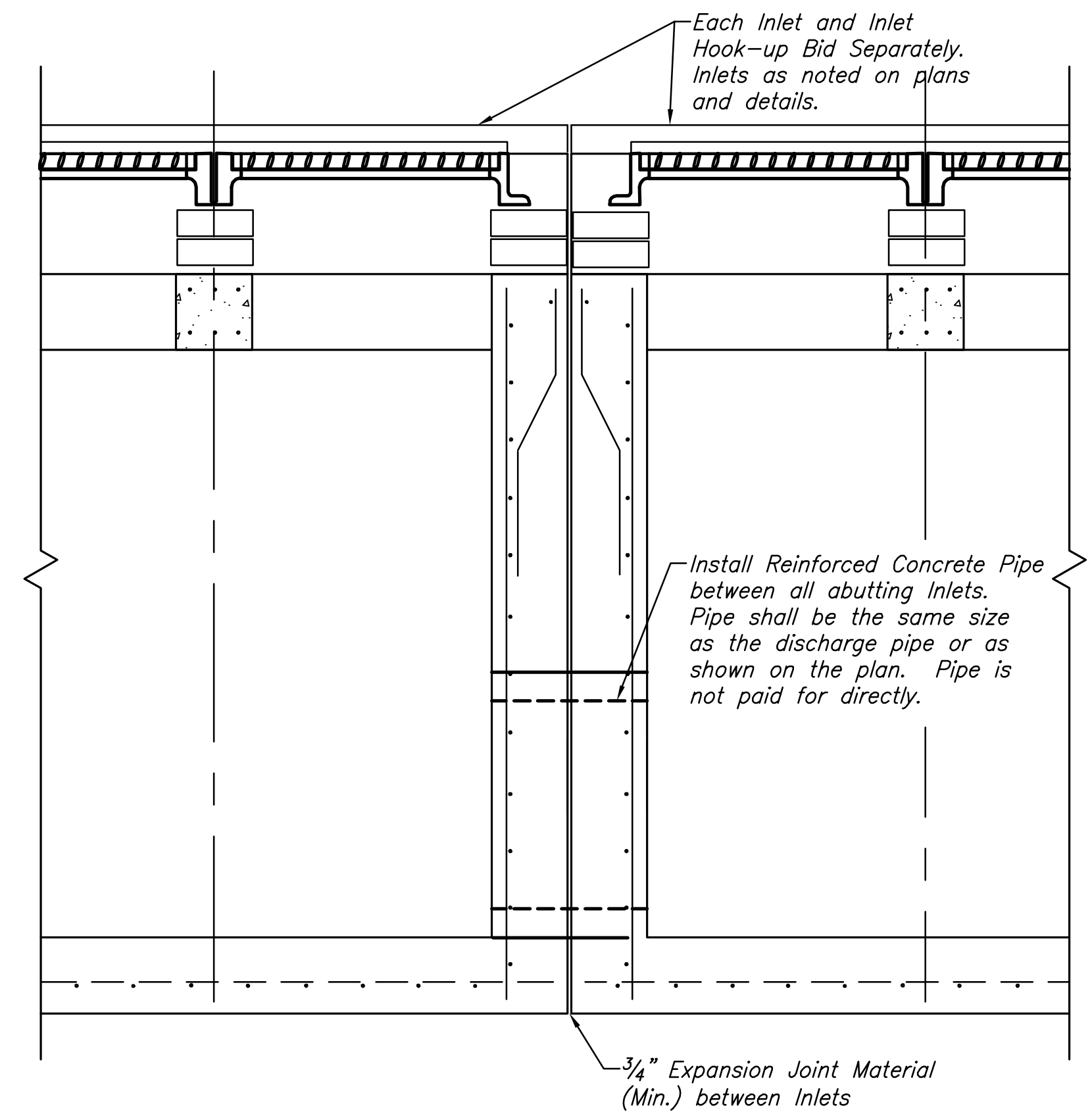
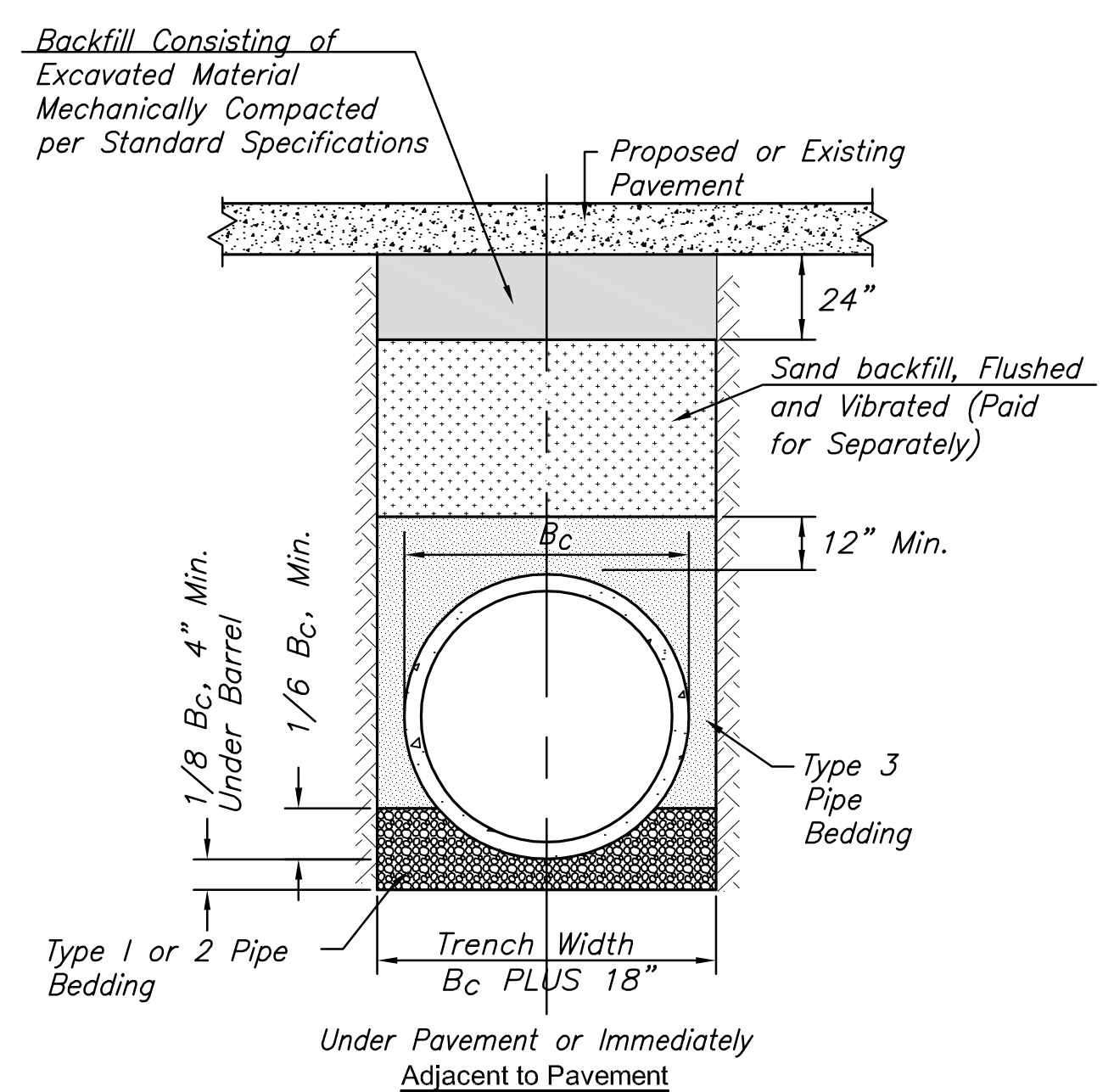
BENDING DIAGRAM
All dimensions are out-to-out of bars



ELEVATION COLLAR DETAIL

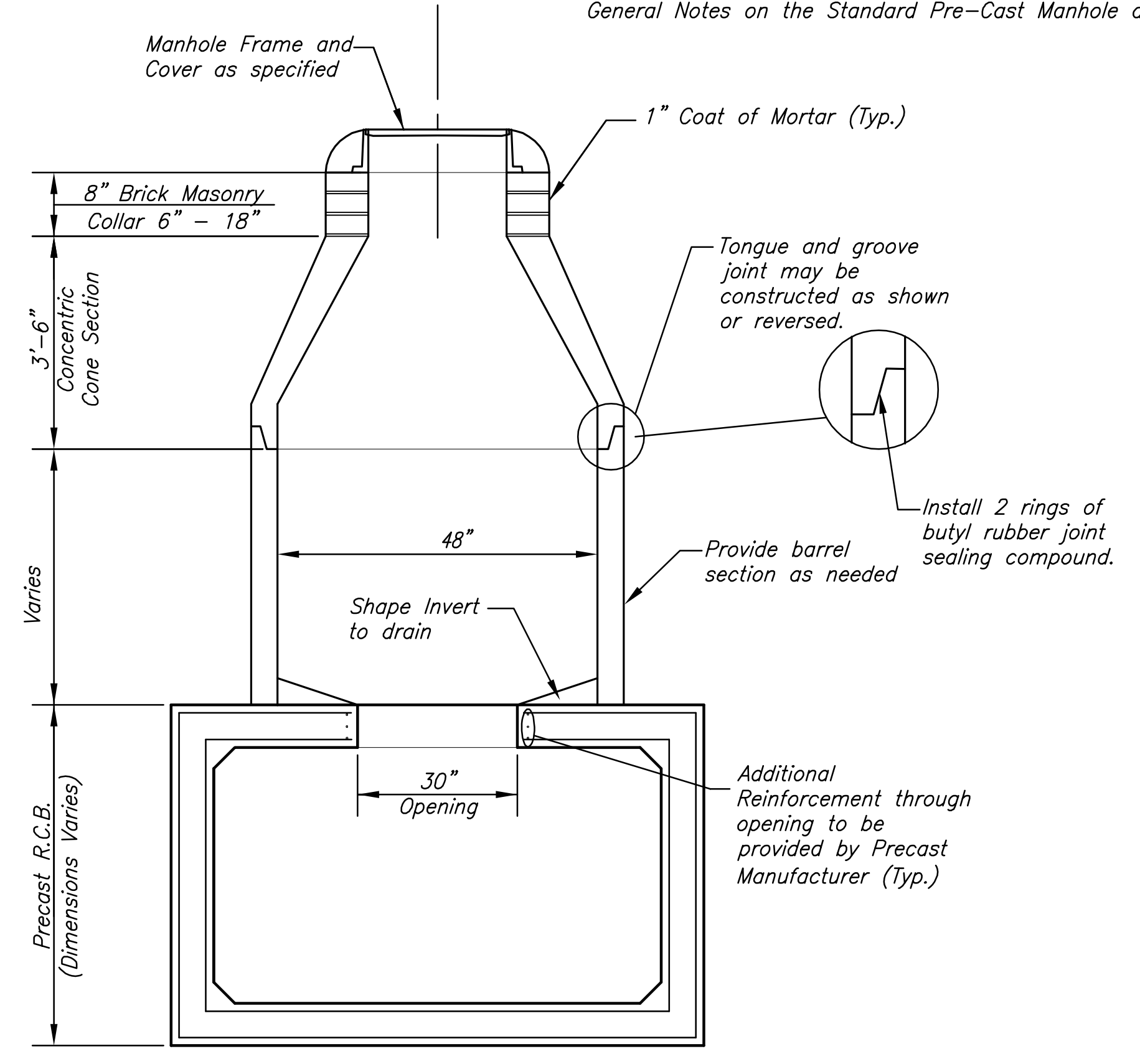


STORM SEWER TRENCH DETAILS

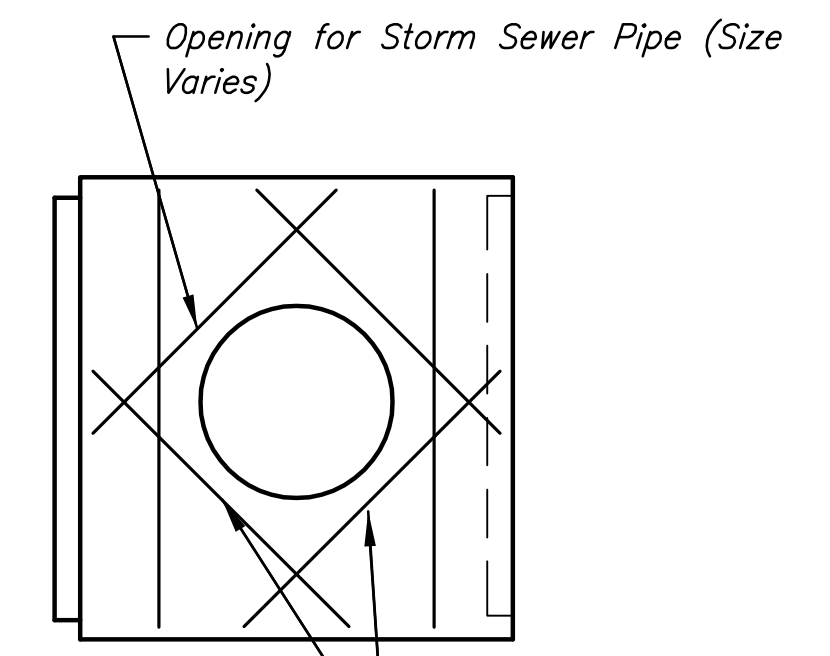


ABUTTING INLET CONNECTION DETAIL

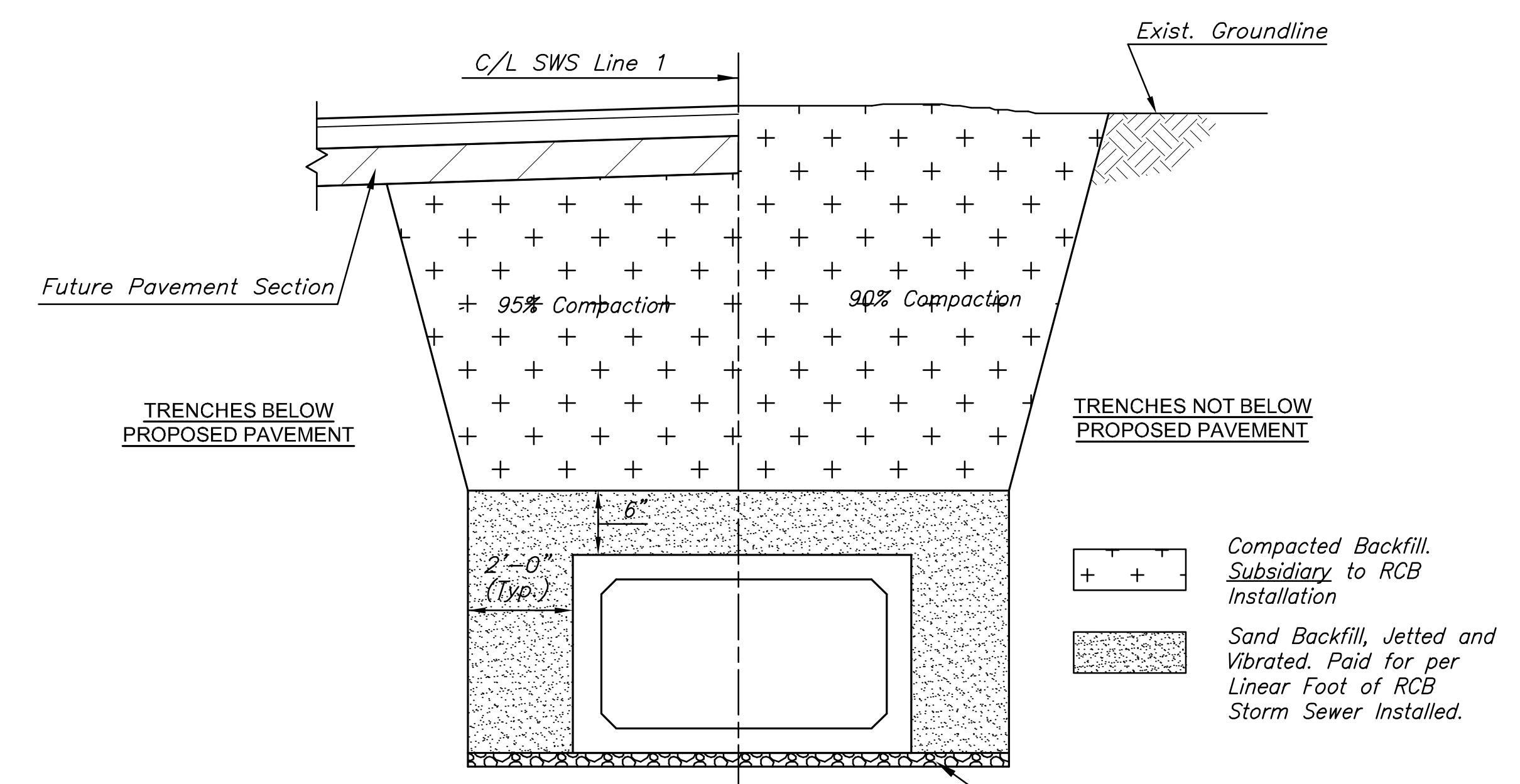
Note: All Pre-Cast Concrete Manhole Stacks shall conform to the City of Wichita's Standard Specifications and the General Notes on the Standard Pre-Cast Manhole detail.



MANHOLE STACK DETAIL



PIPE OPENING IN PRE-CAST RCB DETAIL



Bedding material shall be required under the box in accordance with the dimensions shown in the details. Bedding material shall consist of 6" thickness of crushed rock conforming to ASTM C-33, Gradation No. 67, and shall meet the requirements for Portland Cement Concrete Pavement Course Aggregate, Section 406.2 of the City of Wichita Standard Specifications. Bedding material shall be subsidiary to RCB Storm Sewer Items and shall include all necessary excavation.

RCB STORM SEWER TRENCH TYPICAL SECTION

See Sheet 72 for additional details pertaining to Precast Reinforced Concrete Boxes.