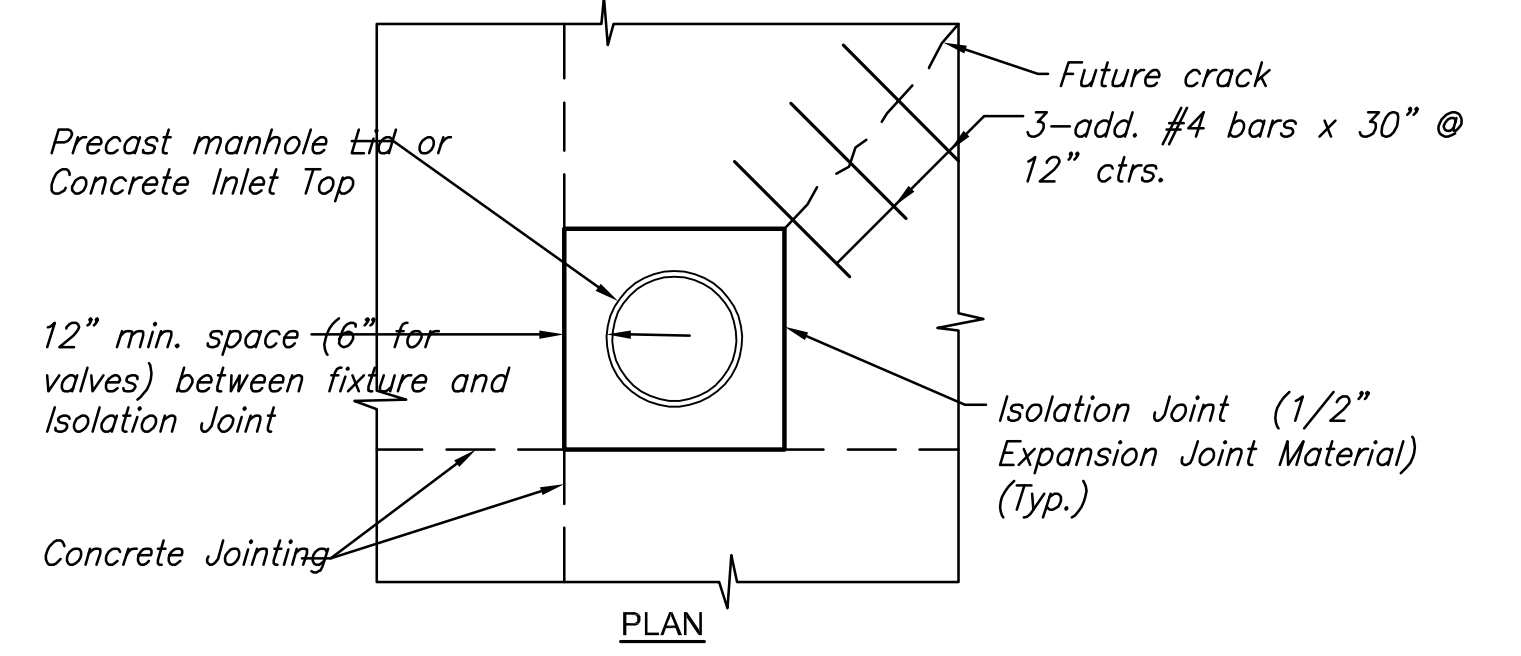
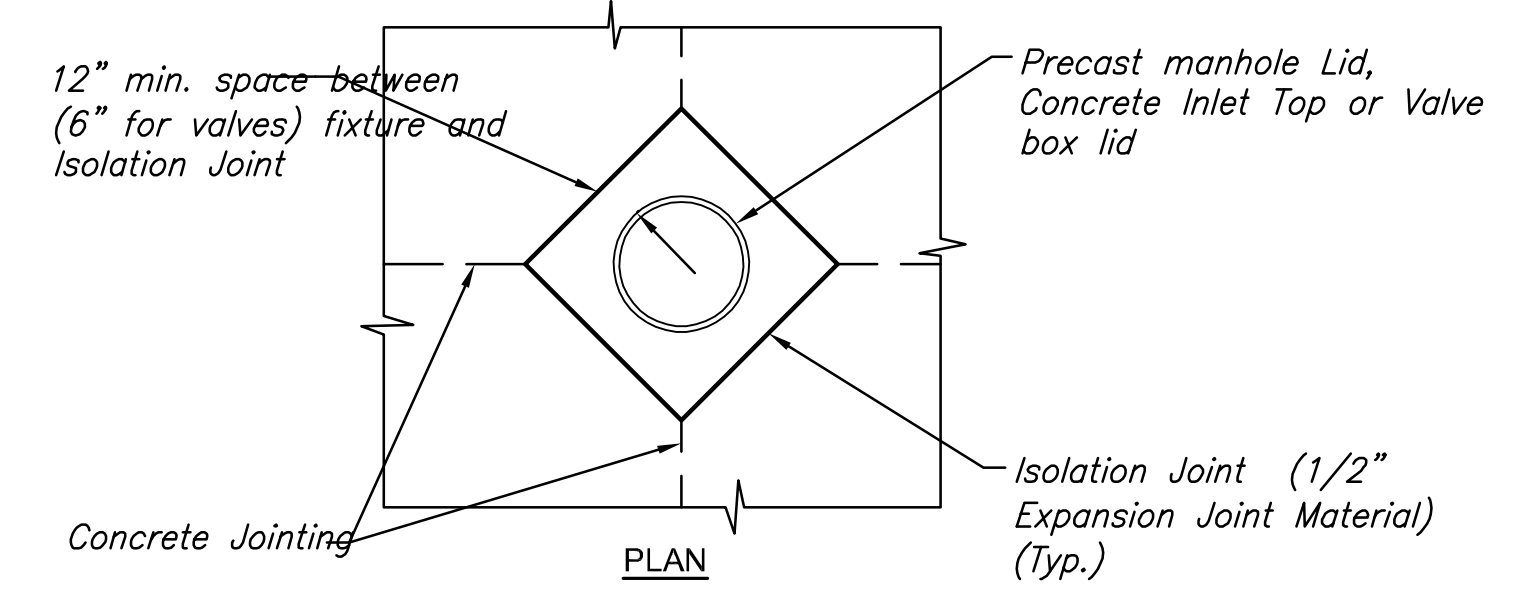
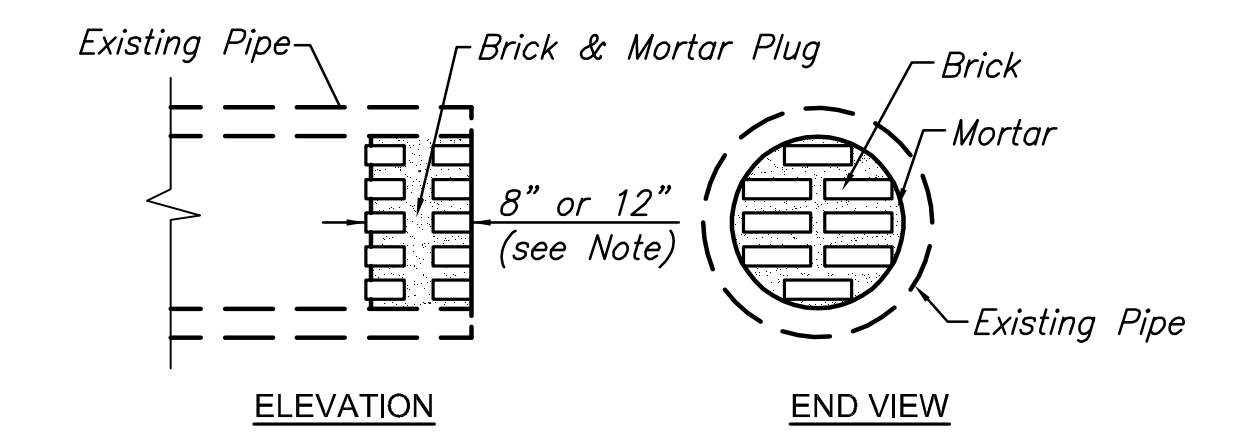


J:\PROJECTS\2017\1401040290 - COM\_127\THE 13TH TO 21ST\05-CIVIL\CAO\SAN\426\BDD1.DWG  
 PLOTTED: Wednesday, November 29, 2017 @ 02:59PM

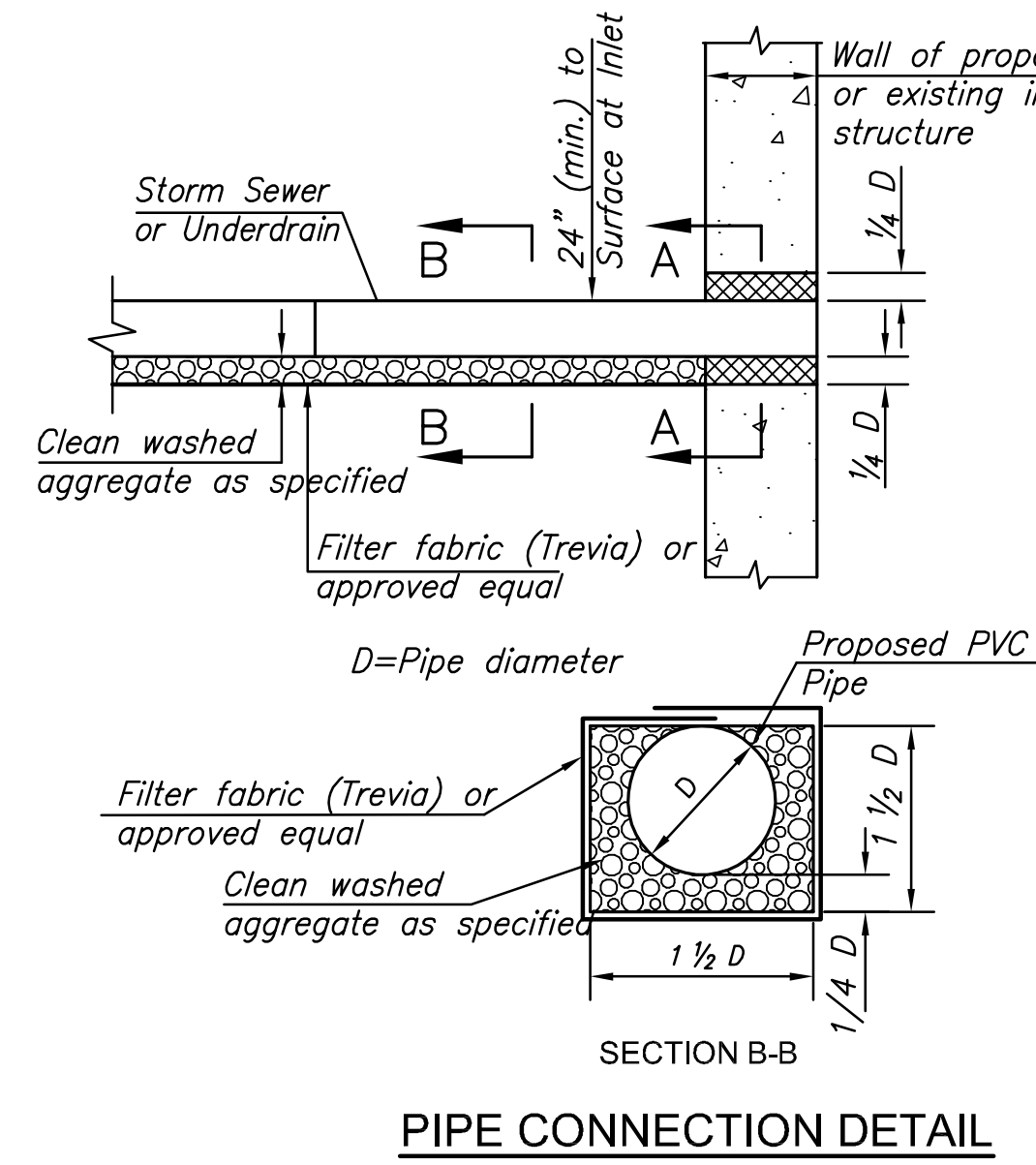
STATE	PROJECT NO.	YEAR	SHEET NO.	TOTAL SHEETS
KANSAS	87 N-0615-01	2017	75	183



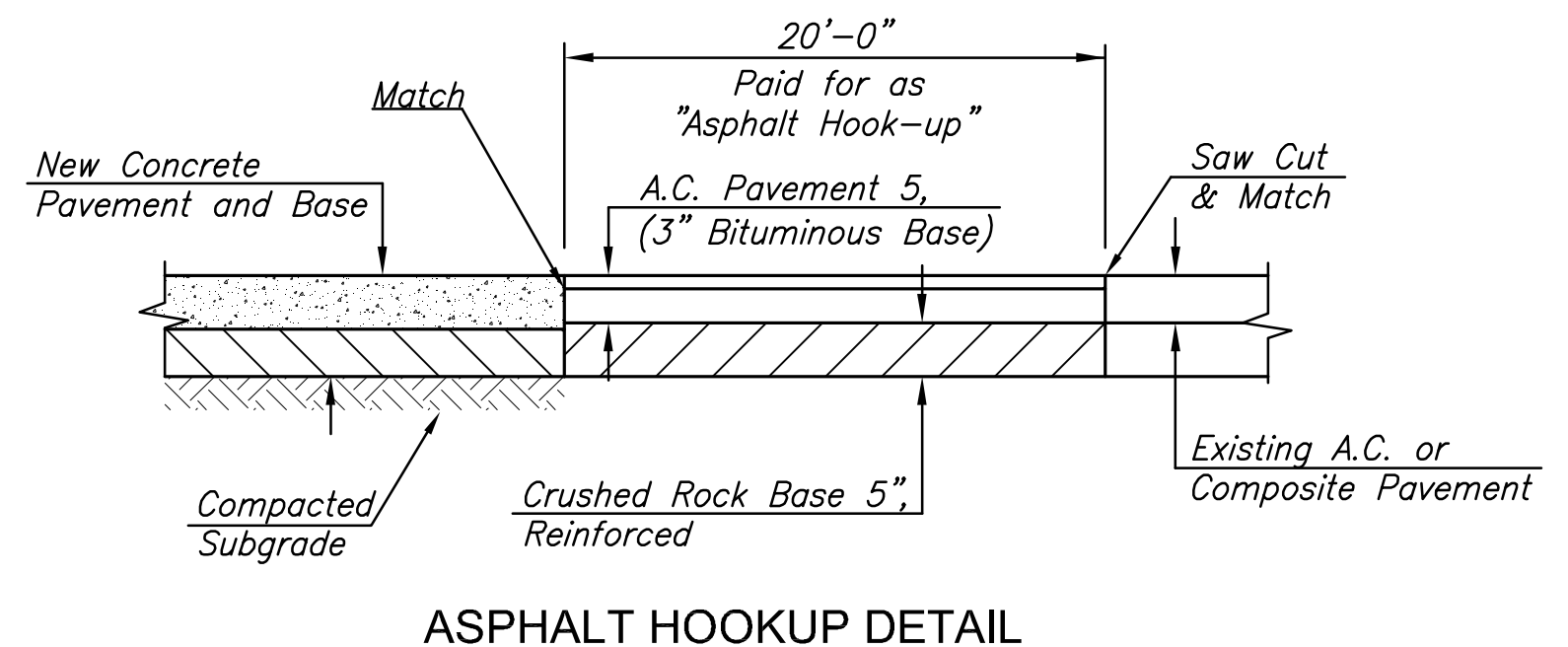
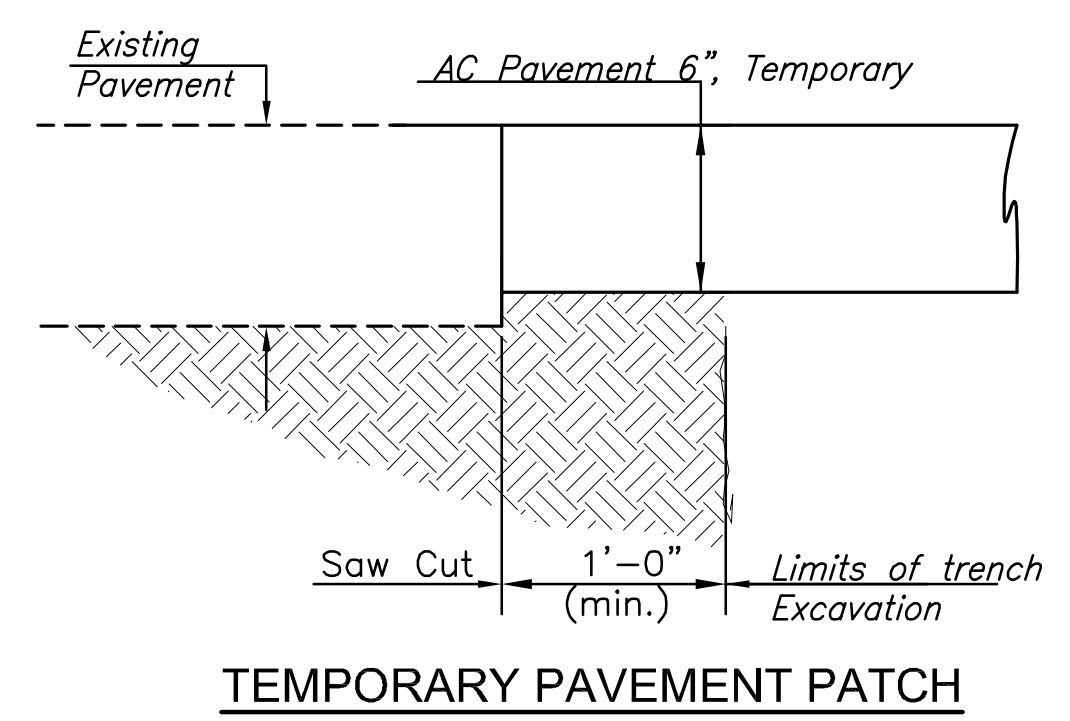
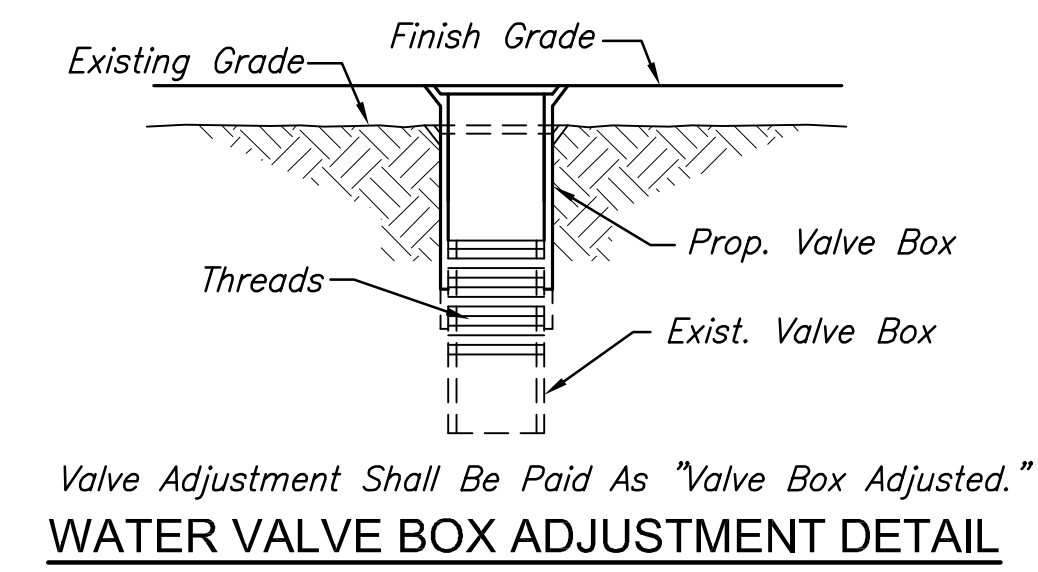
**NOTE**  
 Contractor shall construct box-outs around all surface utility fixtures, as shown, when fixtures fall on or near concrete joints, or as directed by the Engineer. All other fixtures shall have an isolation joint or bond breaker between them and concrete pavement. cost shall be subsidiary.



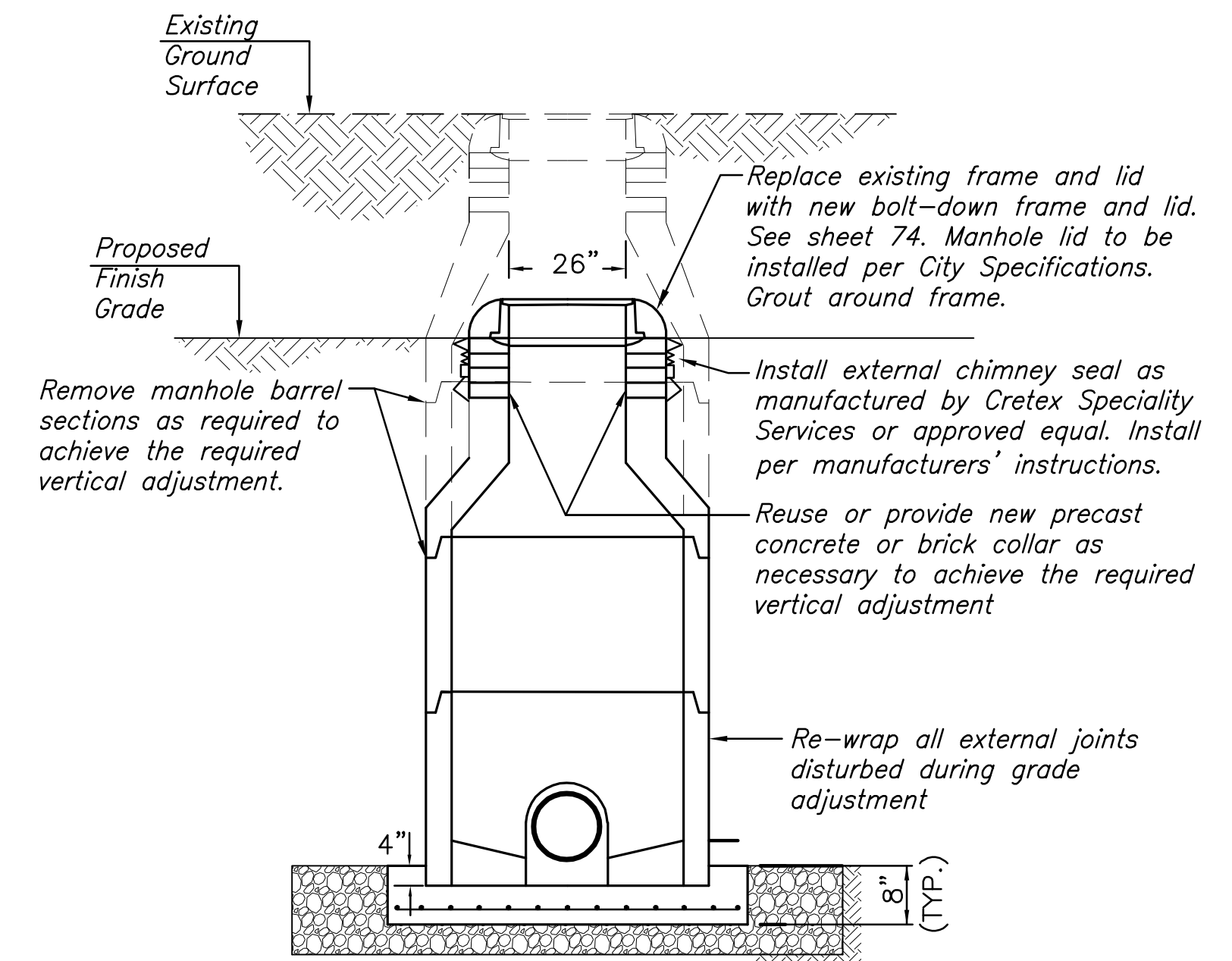
**NOTES**  
 Pipe plugs shall be constructed of brick masonry, with construction requirements and materials conforming to the same requirements as specified for a masonry construction in the standard specifications pipes having diameters of 18" or smaller shall be plugged with 8" thick plug. pipes having diameters larger than 18" shall be plugged with 12" thick plug. The construction of pipe plugs shall not be paid for directly, but shall be considered subsidiary to pipe installation.  
 The contractor may use other methods to plug existing pipe if approved by the Project Engineer.



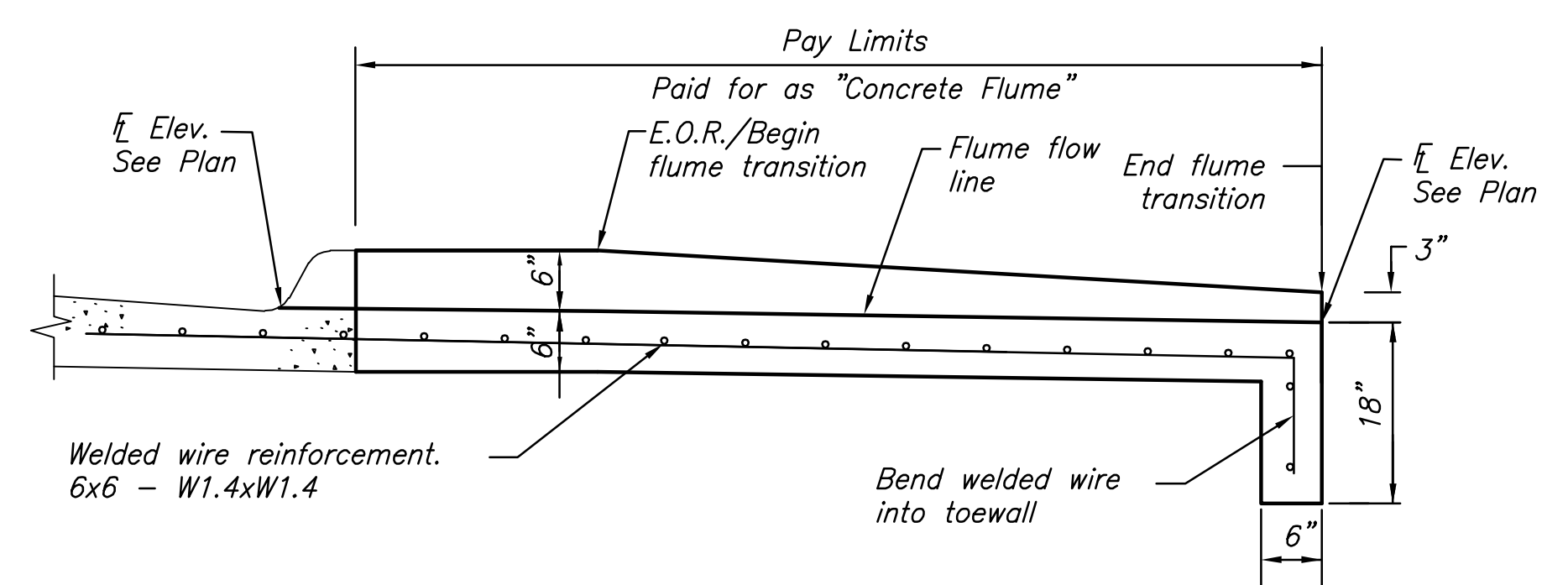
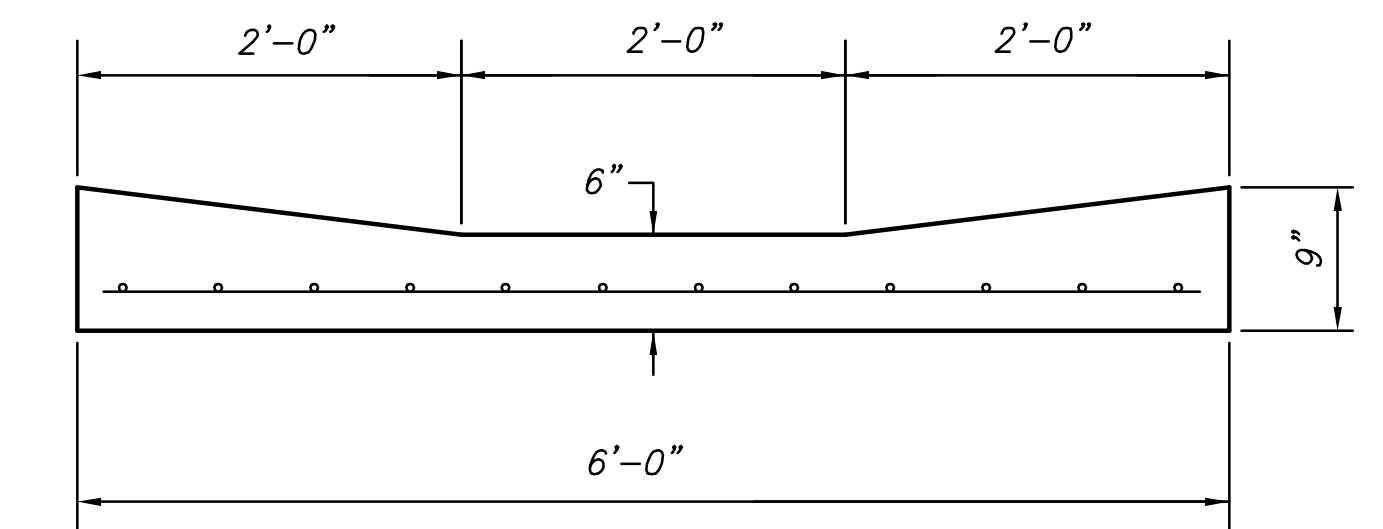
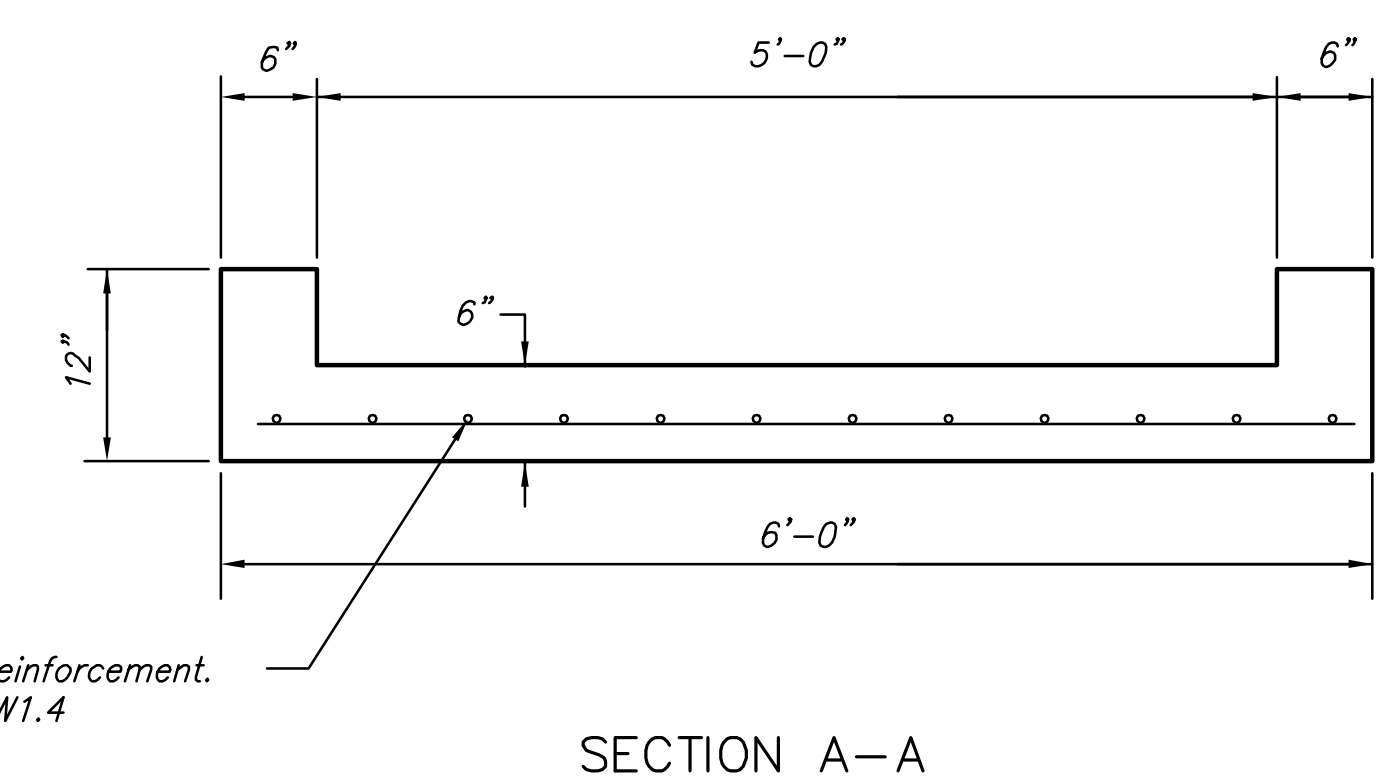
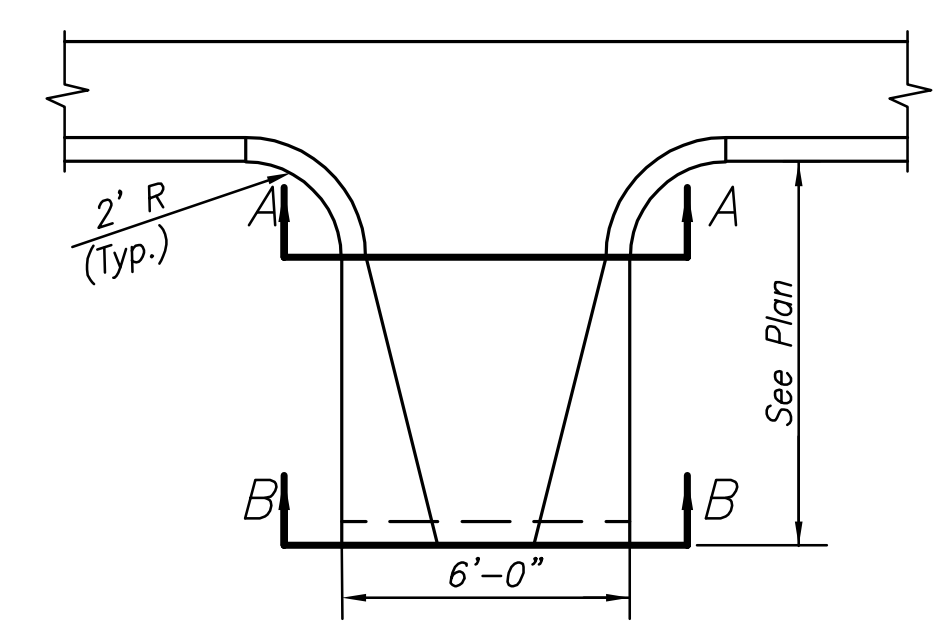
**NOTE:** A hole shall be made through existing structures as shown to accommodate pipe connections. Round holes are acceptable. Clean gravel and filter fabric around pipe will not be required around concrete storm sewer pipe.



The bid item "Asphalt Hookup" shall include pavement removal, grading, rock base, geogrid, and A.C. Pavement as shown. Curb and Gutter is paid for separately.



**Notes:**  
 1. Reseal internally per City Standard Specification to provide a seamless interior surface.  
 2. If new barrel sections are added, they shall be coated and installed in accordance with City Standard Specifications.



Note: See cross-sections for ditch grading.

STREET IMPROVEMENTS FOR  
**127TH STREET EAST**  
 FROM 13TH STREET NORTH TO 21ST STREET NORTH

©2017 MKEC Engineering  
 All Rights Reserved  
 www.mkec.com  
 These drawings and their contents, including, but not limited to, all concepts, designs, & ideas are the exclusive property of MKEC Engineering (MKEC), and may not be used or reproduced in any way without the express consent of MKEC.

**MISCELLANEOUS DETAILS**

PROJECT NO.	472-85158	
DATE	11/29/17	
SCALE	NTS	
DESIGNED	DRAWN	CHECKED
JRA	LES	JRA
NO.	REVISION	DATE