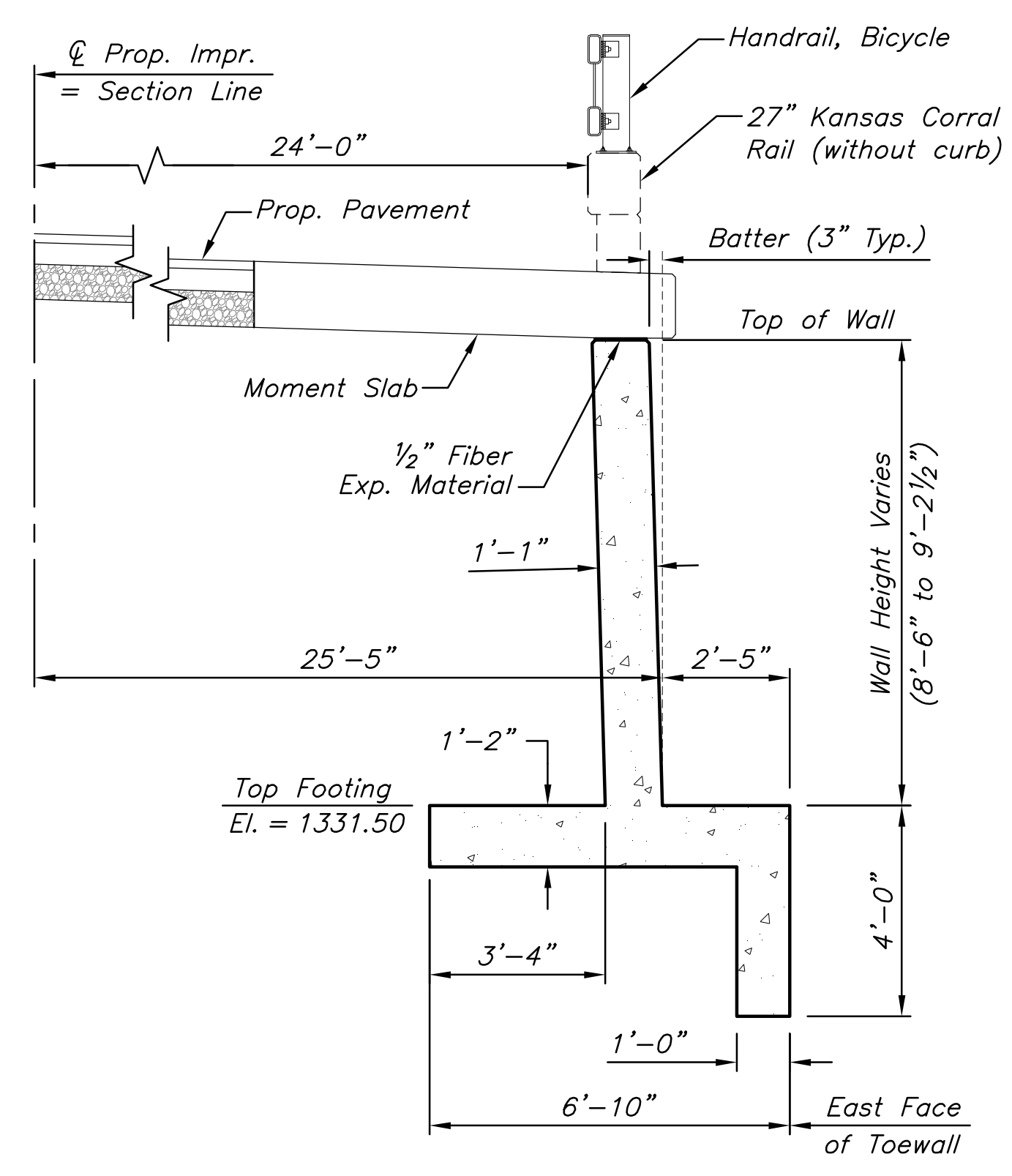
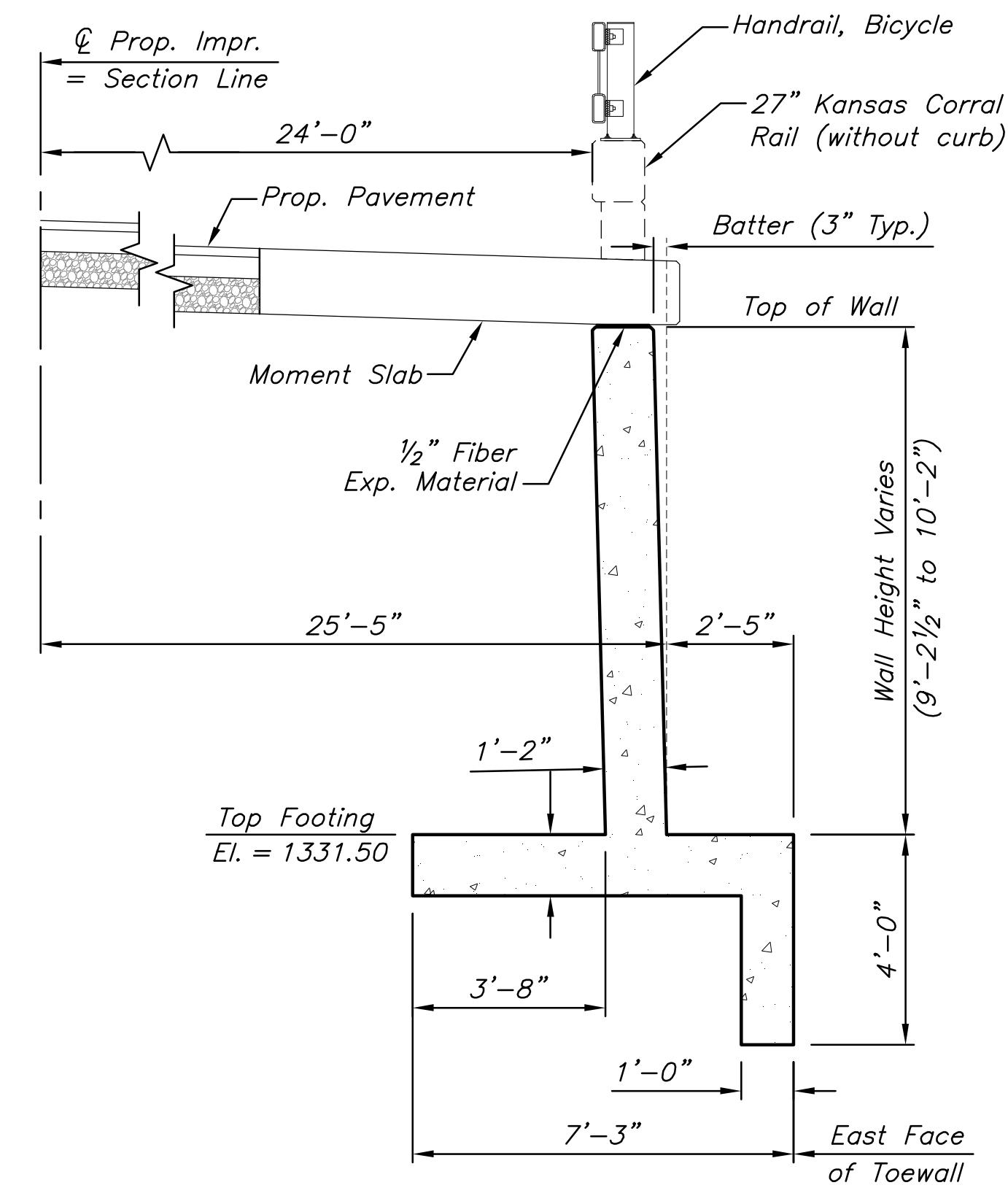


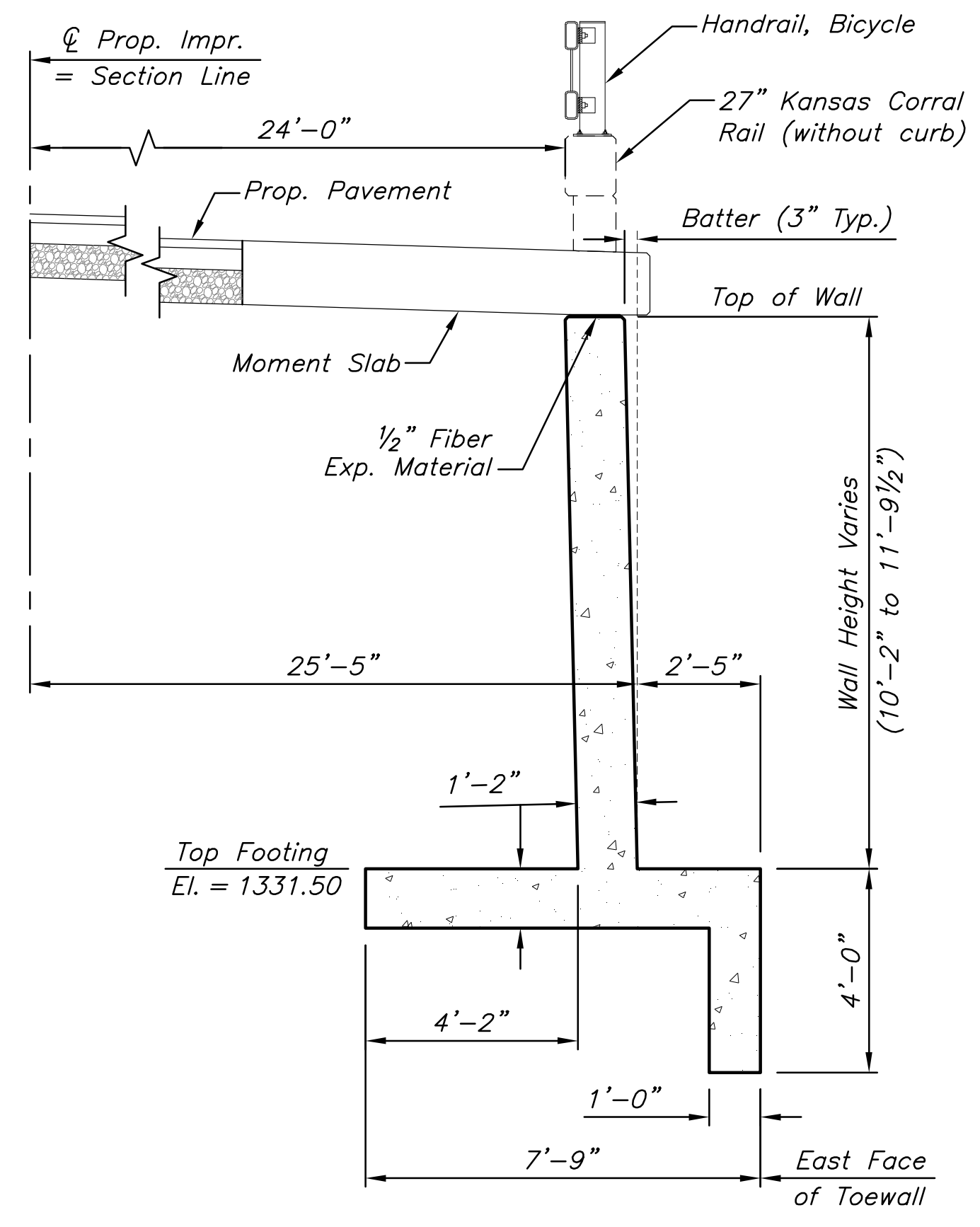
STATE	PROJECT NO.	YEAR	SHEET NO.	TOTAL SHEETS
KANSAS	87 N-0615-01	2017	77	183



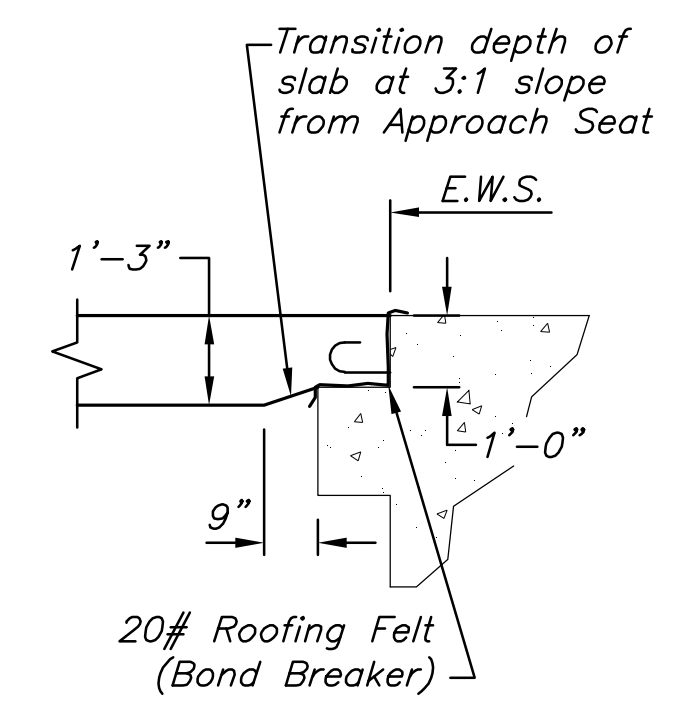
WALL SECTION A
(Looking Up Station)



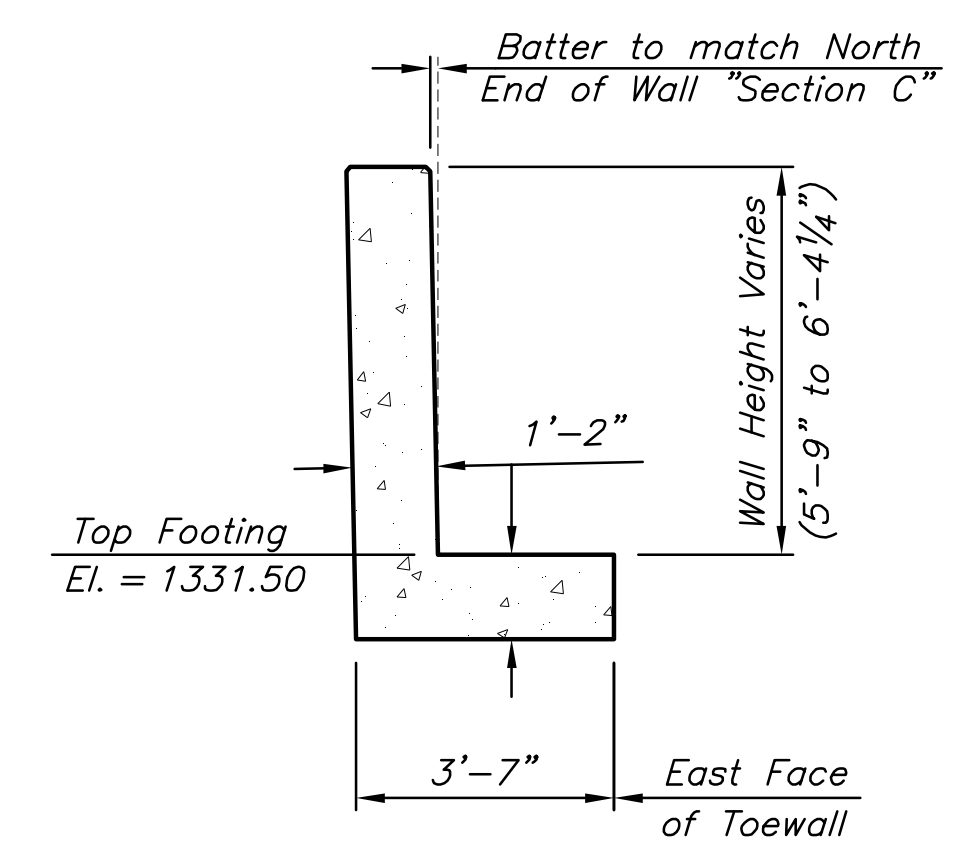
WALL SECTION B
(Looking Up Station)



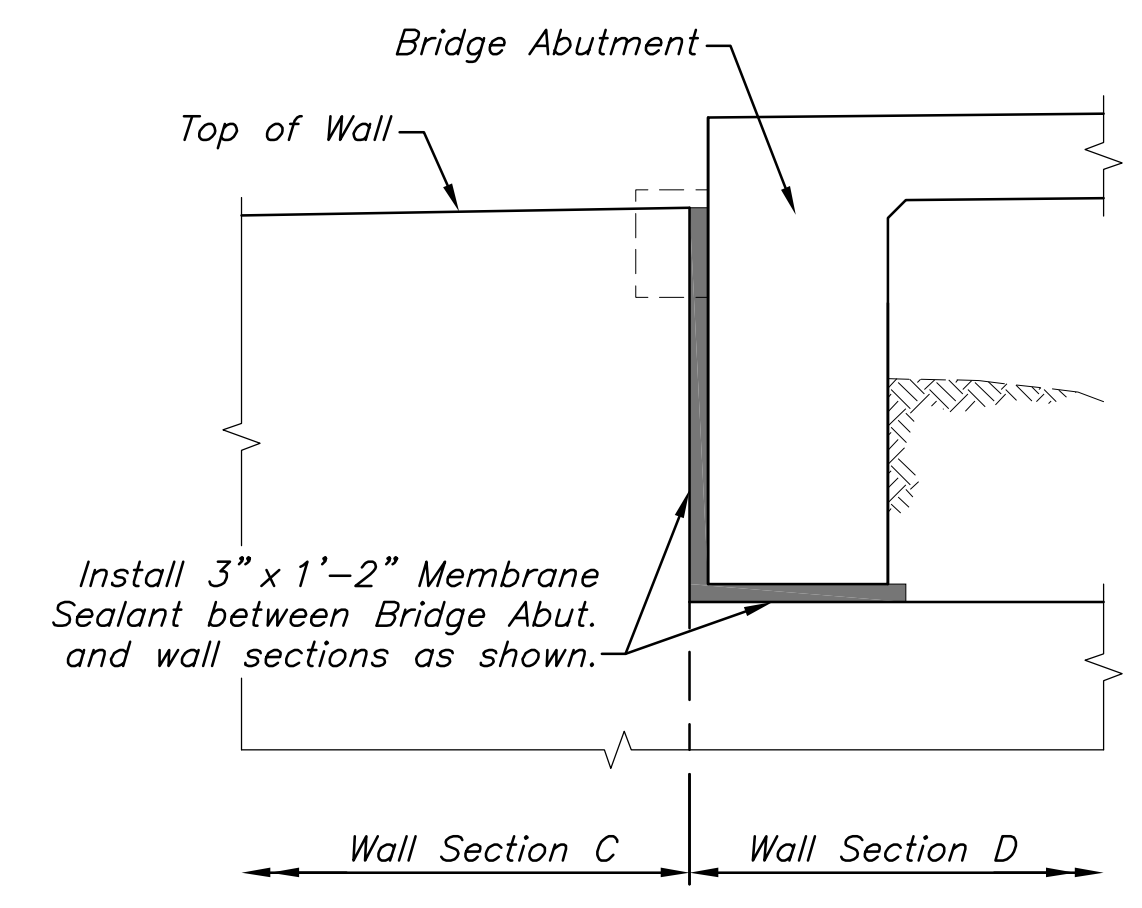
WALL SECTION C
(Looking Up Station)



SECTION A-A

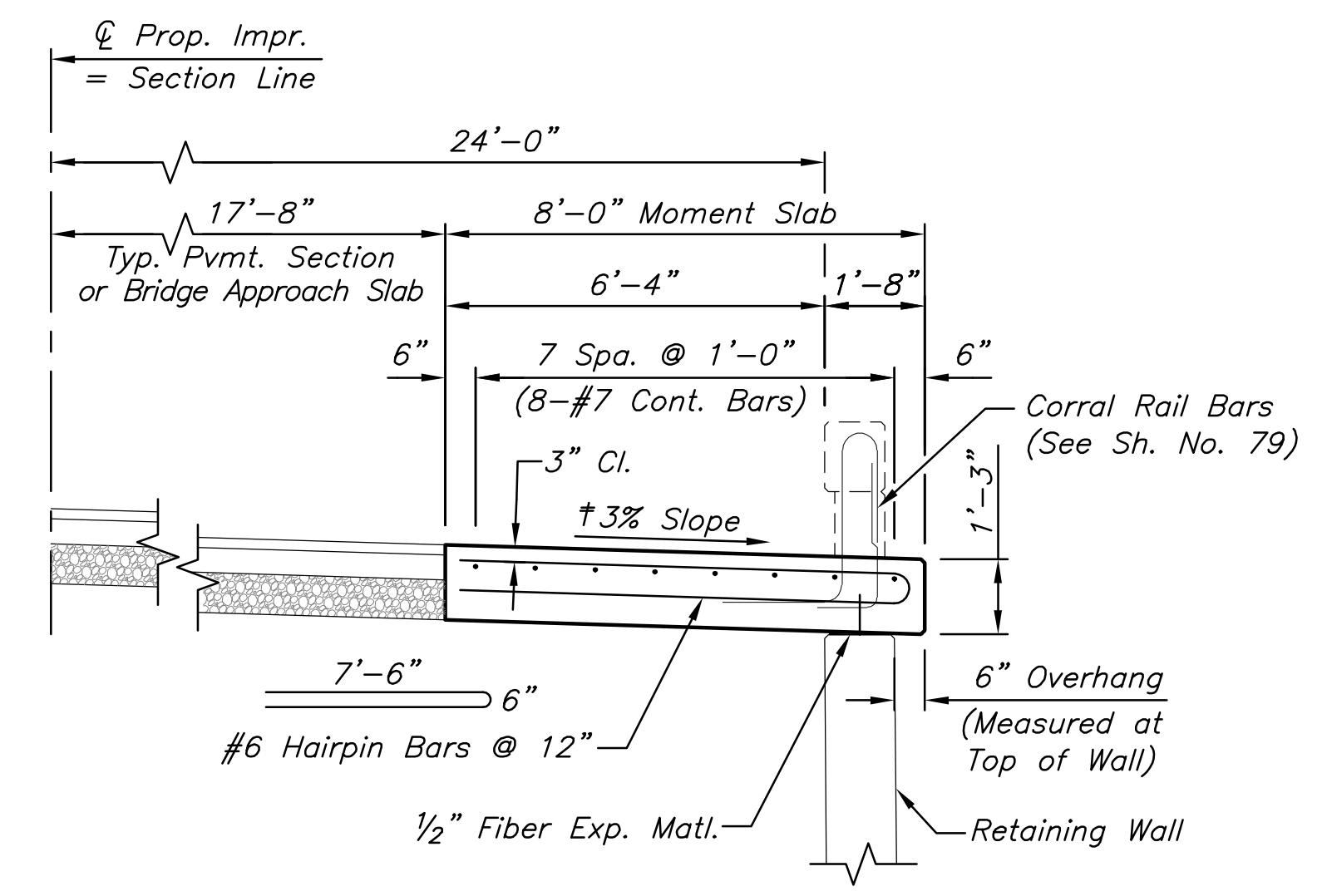


WALL SECTION D
(Looking Up Station)



WALL TO BRIDGE JOINT
(Looking West at East Face of Retaining Wall)

NOTE:
Membrane Sealant shall be in compliance with KDOT Standard Specifications. Materials, labor, and equipment for this work shall be considered subsidiary to the bid item "Retaining Wall".



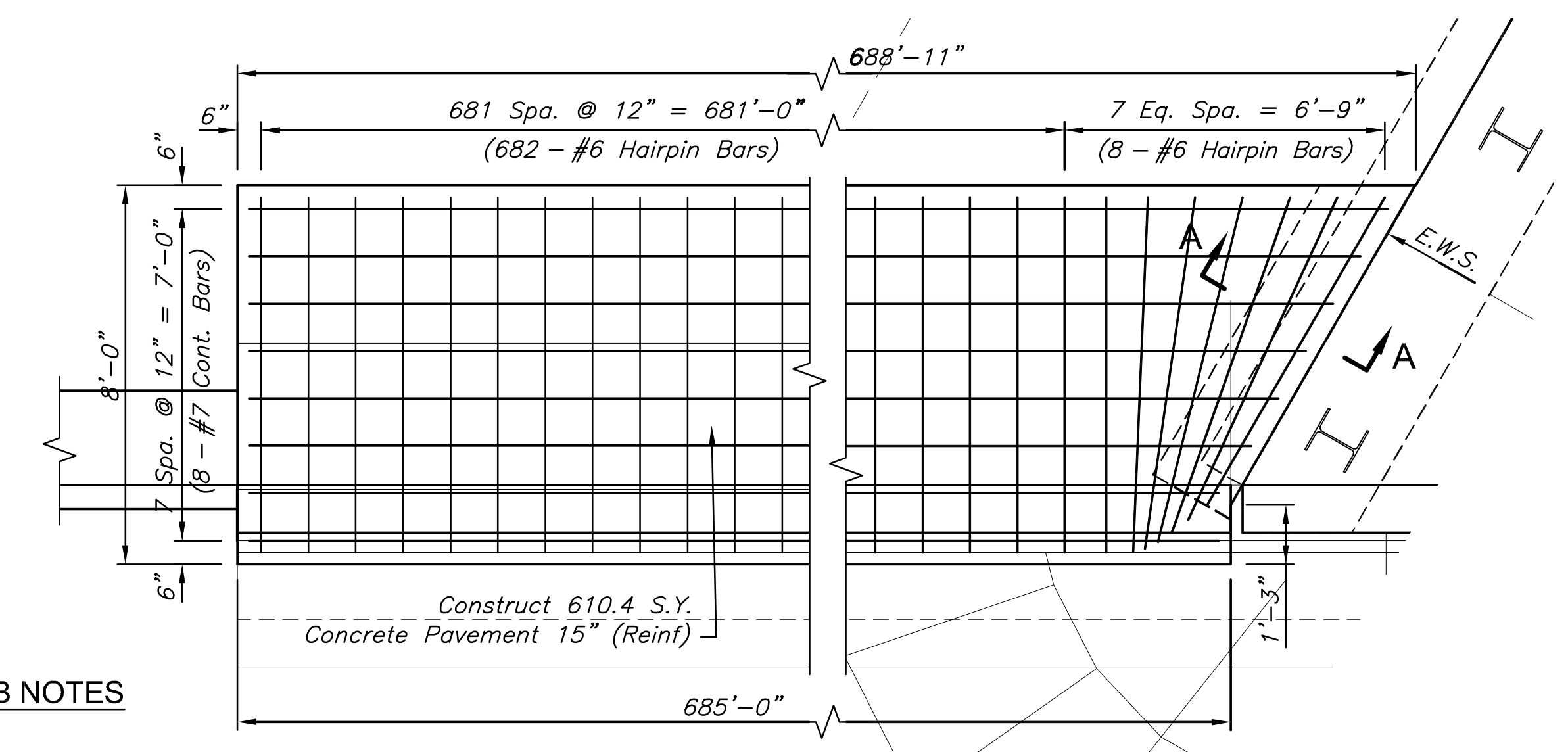
TYPICAL SECTION - MOMENT SLAB
(Looking Up Station)

† Transition from 3% at Sta. 22+77.81 to 1.6% at Sta. 23+12.98 (Adjacent to Bridge Approach Slab)

NOTE:
Handrail, Bicycle not shown for clarity.

MOMENT SLAB NOTES

- UNIT STRESSES:**
Concrete $f'_c = 4 \text{ ksi}$
Reinforcing Steel (Epoxy-Coated) $f_y = 60 \text{ ksi}$
- See Sh. No. 76 for Retaining Wall Plan and Profile.
 - See Sh. No. 78 for General Notes, reinforcing details of Retaining Wall, and quantities.
 - See Sh. No. 79 for Corral Rail details.
 - See Sh. No. 80 for Handrail, Bicycle.



PART PLAN - MOMENT SLAB

All materials, labor, and equipment required for the construction of Moment Slab shall be considered subsidiary to the bid item "Concrete Pavement 15" (Reinf)". The minimum splice length for #7 Cont. Bars shall be 3'-0".

STREET IMPROVEMENTS FOR
127TH STREET EAST
FROM 13TH STREET NORTH TO 21ST STREET NORTH

©2017 MKEC Engineering
All Rights Reserved
www.mkec.com
These drawings and their contents, including, but not limited to, all concepts, designs, & ideas are the exclusive property of MKEC Engineering (MKEC), and may not be used or reproduced in any way without the express consent of MKEC.

RETAINING WALL AND MOMENT SLAB DETAILS

PROJECT NO.	472-85158	
DATE	11/29/17	
SCALE	3/8"=1'	
DESIGNED	DRAWN	CHECKED
KJS	DMU	KJS
NO.	REVISION	DATE
SHEET NO.		

PLOTTED: Wednesday, November 29, 2017 @ 02:59PM
 J:\PROJECTS\2017\1401040290 - COWI_127THE_13TH TO 21ST\05-CIVIL\DWG\WALL14280\DWG01.DWG