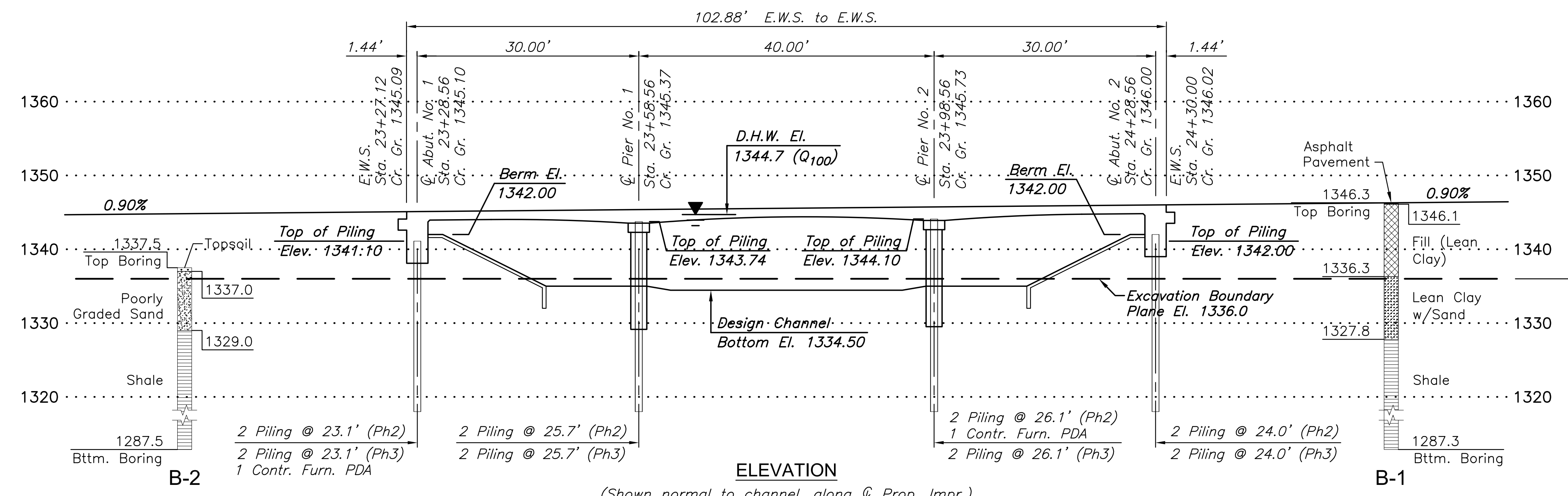


J:\PROJECTS\2017\14101040200 - COM_127TH E. 13TH TO 21ST STS - CIVIL\CAO\BRIDGE\4282R2\DWG
 PLOTTED: Wednesday, December 06, 2017 @ 02:29PM

STATE	PROJECT NO.	YEAR	SHEET NO.	TOTAL SHEETS
KANSAS	87 N-0615-01	2017	83	183



ELEVATION
(Shown normal to channel, along ϕ Prop. Impr.)

BM#2 Chiseled square top of curb in front of a FH at the NW Cor. of 127th St. E. & Birchwood Dr. Sta. 17+34.47, 54.79' Lt. Elev. = 1342.27 (NAVD88)

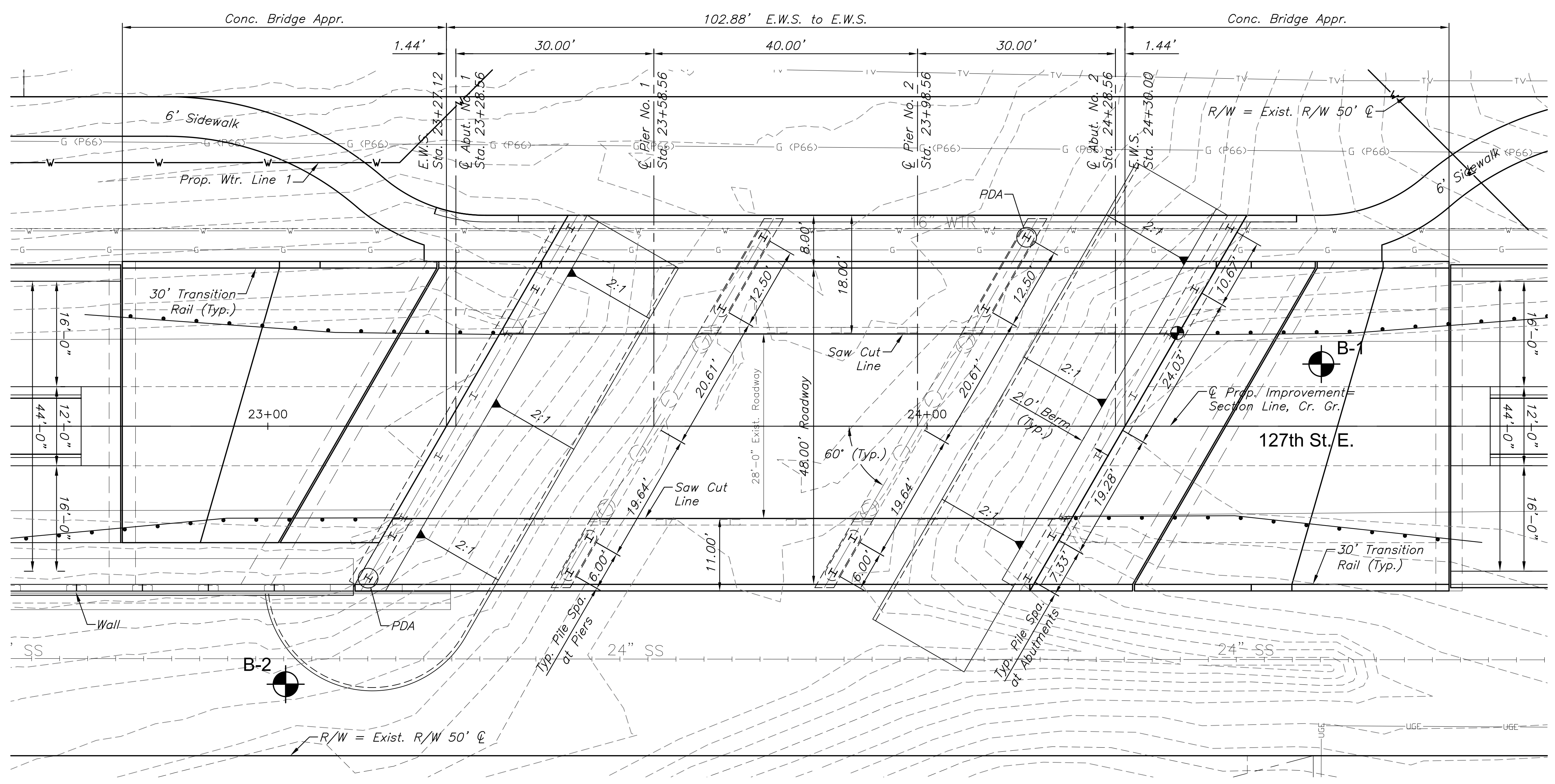
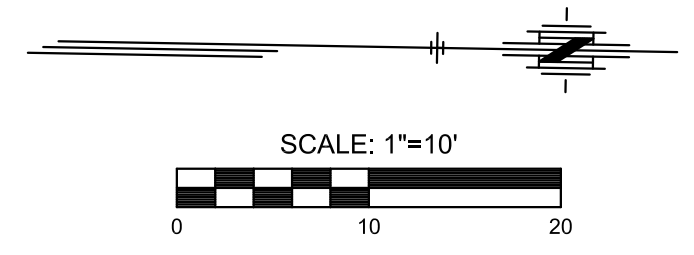
30'-40'-30' Reinf. Conc. Haunched Slab
Pile Bent Abutments & Piers
48'-0" Roadway with 6'-0" Walkway Lt.
30' Skew Rt.

BM#4 Chiseled square top of curb in front of a FH at the NW Cor. of 127th St. E. & Castlewood Dr. Sta. 29+13.45, 55.14' Lt. Elev. = 1354.41 (NAVD88)

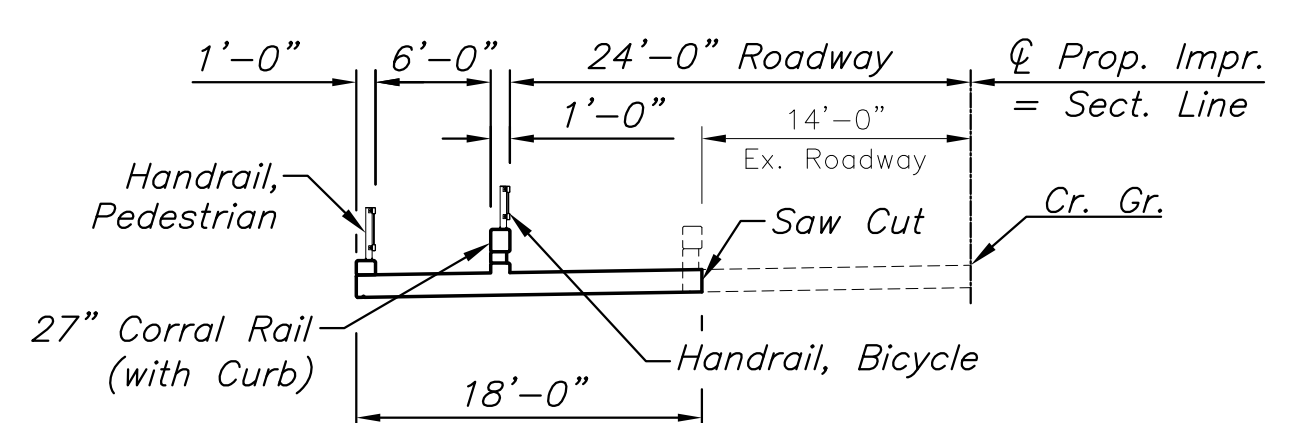
DRAINAGE DATA

Drainage Area	3.4	Sq. Mi.
Design Frequency	100	Years
Design Discharge (Q_{100})	2,623	cfs
Design High Water Elevation	1345.3	Ft.
Change in Design Backwater	1.4	Ft.
Design Backwater Elevation	1343.9	Ft.
Overtopping Elevation (Sta. 23+17)	1345.5	Ft.
Overtopping Discharge	2,623	cfs
Overtopping Frequency	500	Years
Discharge at Q_{100}	2,623	cfs
Change in Backwater at Q_{100}	1.4	Ft.
Backwater Elevation at Q_{100}	1343.9	Ft.
Historic High Water Elevation	N/A	Ft.
Ordinary High Water Elevation	1342.2	Ft.
Total Waterway Provided	589.2	Sq. Ft.
Design Waterway Provided	589	Sq. Ft.
Estimated Ordinary High Water Discharge	1,000	cfs

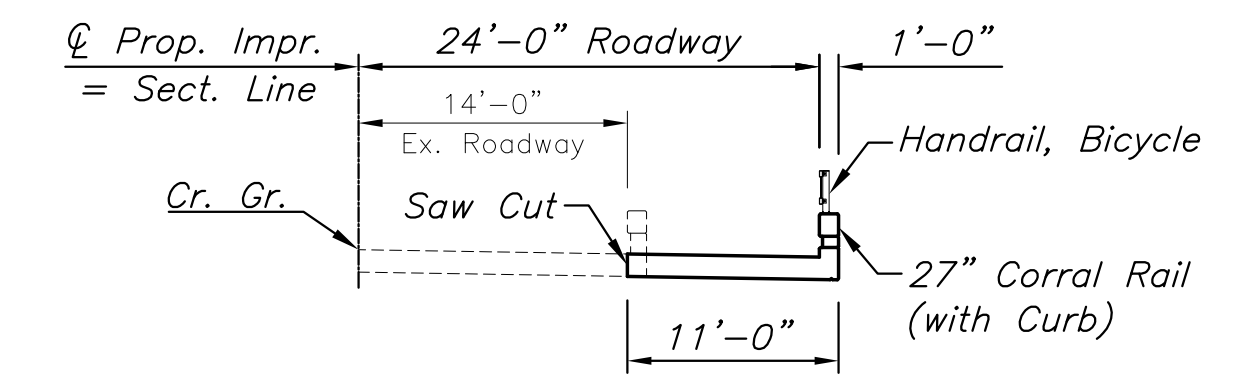
The thermal movement at the abutment is $\pm 1/4"$



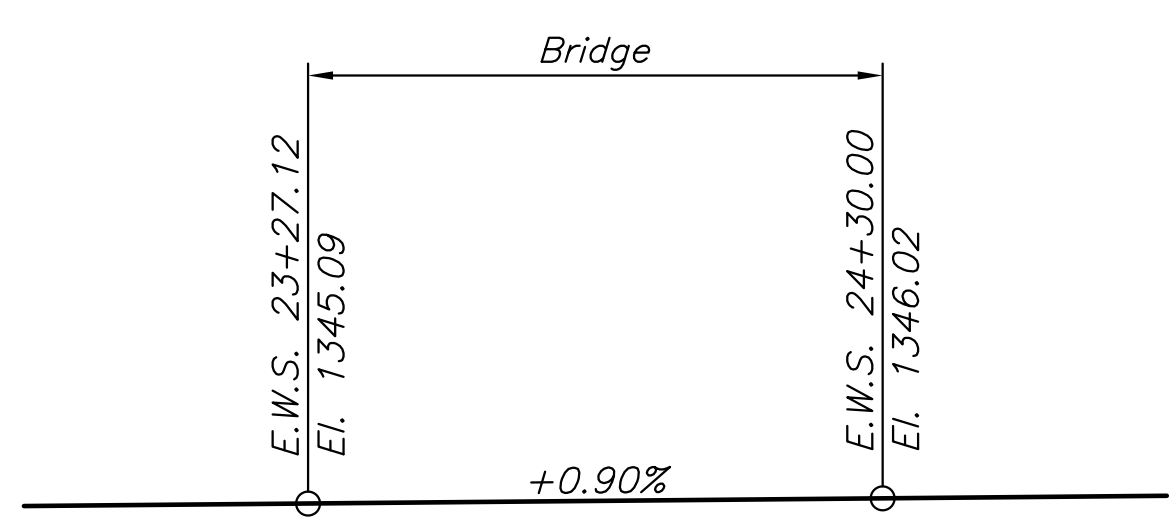
PLAN



PART DECK SECTION
Left of ϕ Prop. Impr.
(Looking Up Station)



PART DECK SECTION
Right of ϕ Prop. Impr.
(Looking Up Station)



CROWN PROFILE GRADE

STREET IMPROVEMENTS FOR
127TH STREET EAST
 FROM 13TH STREET NORTH TO 21ST STREET NORTH

©2017
 MKEC Engineering
 All Rights Reserved
 www.mkec.com
 These drawings and their contents, including, but not limited to, all concepts, designs, & ideas are the exclusive property of MKEC Engineering (MKEC), and may not be used or reproduced in any way without the express consent of MKEC.

CONSTRUCTION LAYOUT

PROJECT NO.	472-85158	
DATE	11/29/17	
SCALE	1"=10'	
DESIGNED	DRAWN	CHECKED
KJS	DMU	KJS
NO.	REVISION	DATE

SHEET NO.

83 OF 183