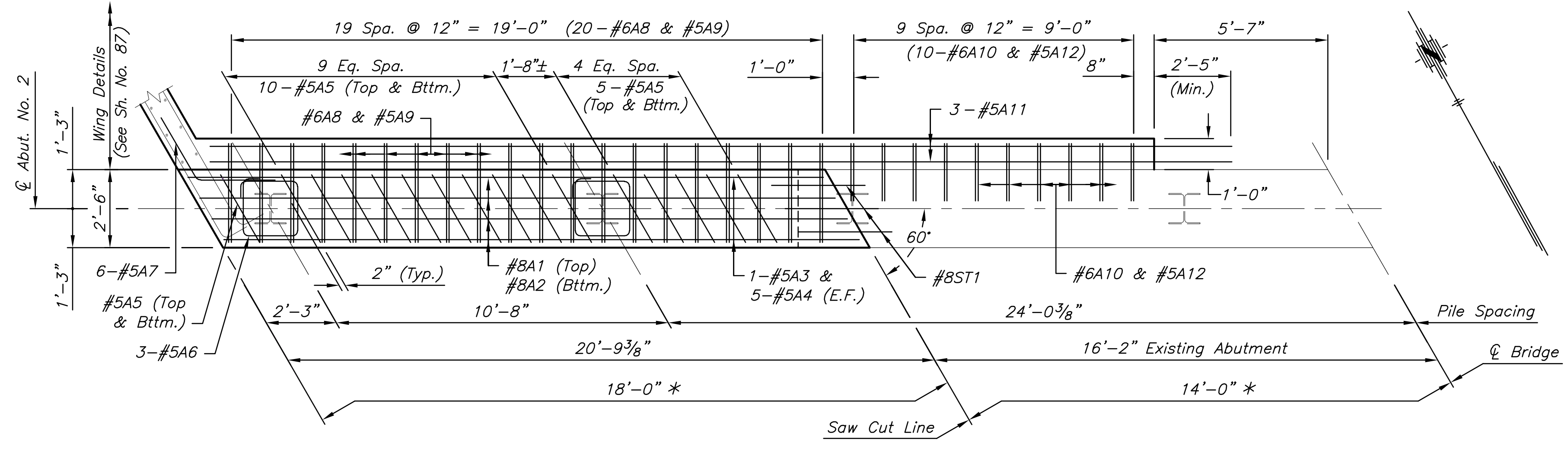
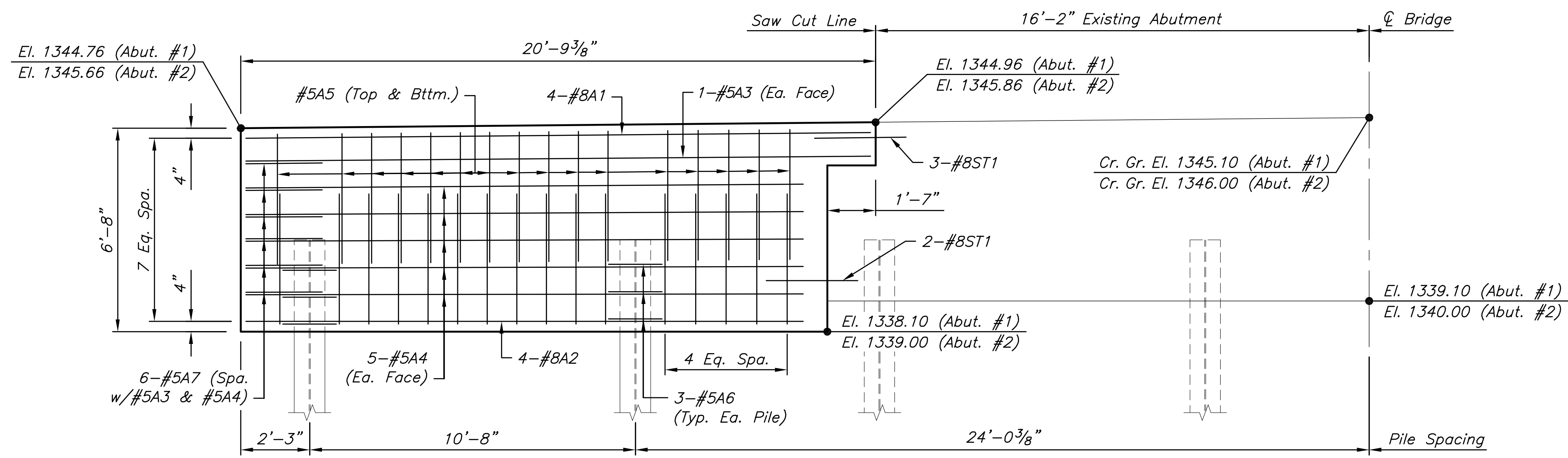


PLOT DATE: Wednesday, November 29, 2017 @ 03:05PM

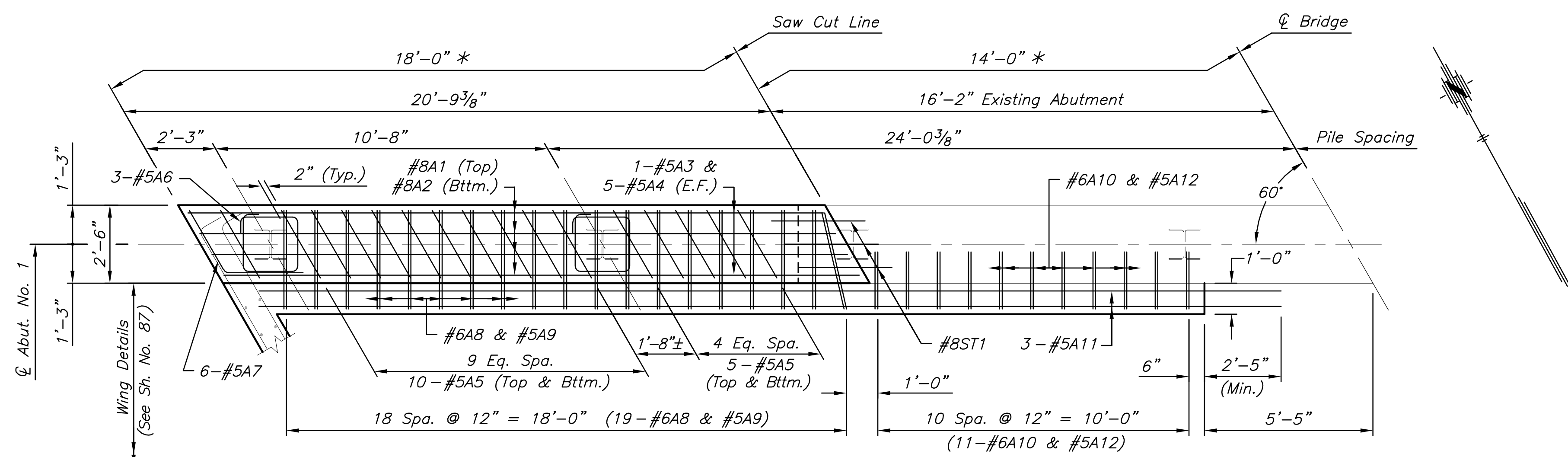
J:\PROJECTS\2017\1401040290 - COW_127\THE 13TH TO 21ST STS-CIVIL\CAO\BRIDGE\14282001.DWG



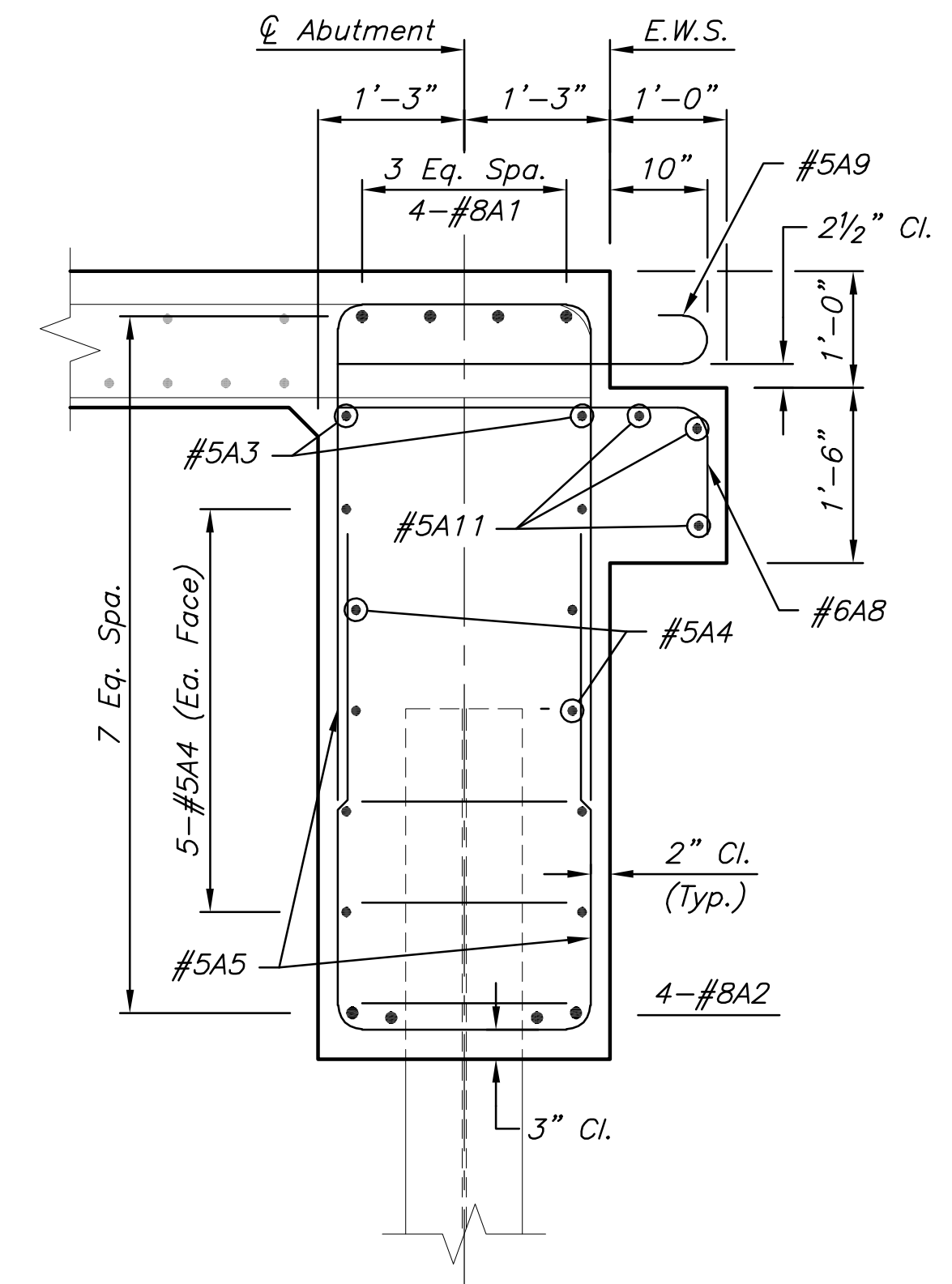
PLAN - ABUTMENT NO. 2 EXTENSION
* Measured perpendicular to ϕ Bridge



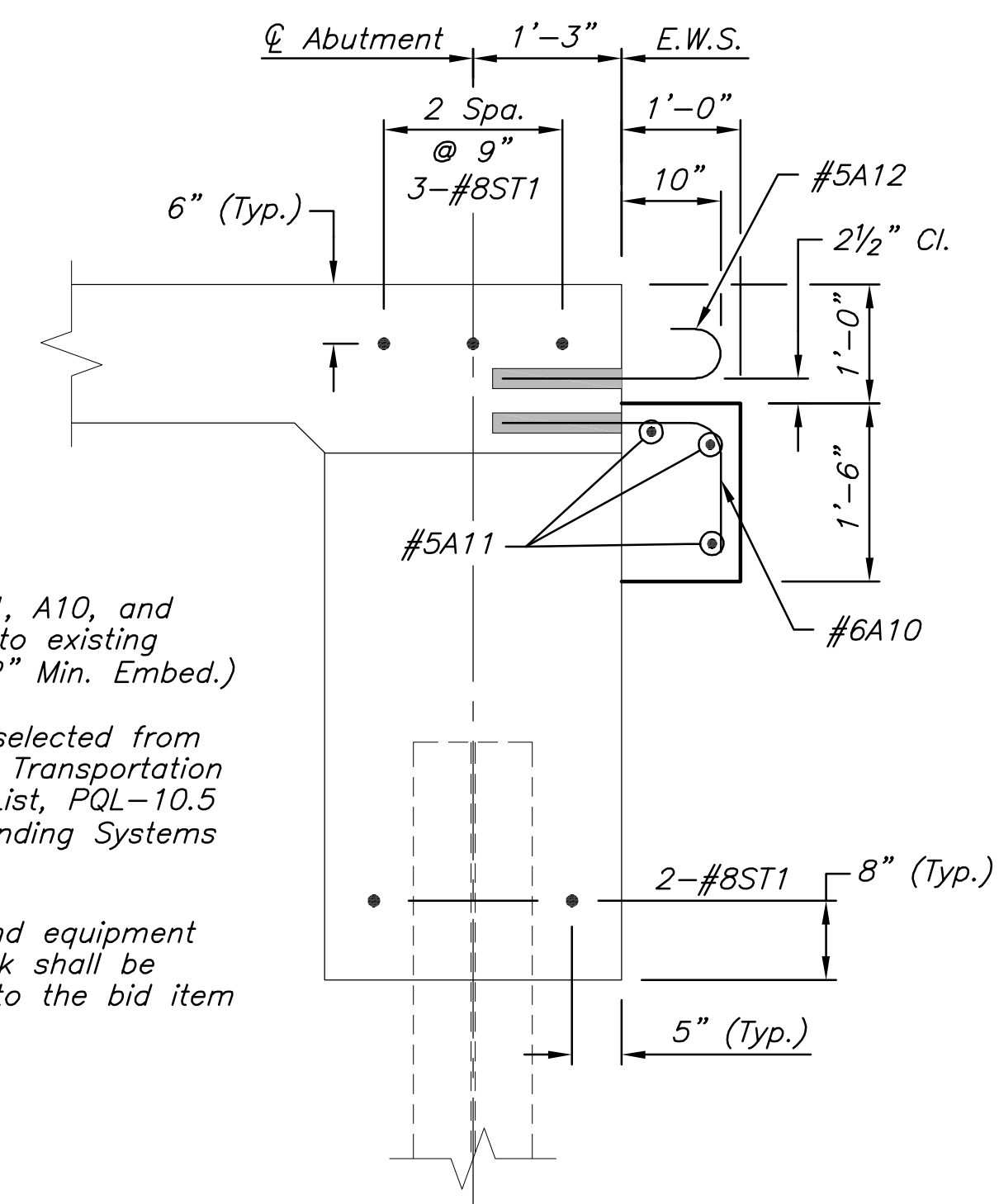
ELEVATION - ABUTMENT EXTENSION
Dimensioned along ϕ Abutment



PLAN - ABUTMENT NO. 1 EXTENSION
* Measured perpendicular to ϕ Bridge



ABUTMENT TYPICAL SECTION
Shown Perpendicular to ϕ Abutment
(Abutment No. 1, Looking East)
(Abutment No. 2, Looking West)



EXISTING ABUTMENT END ELEVATION
Shown Perpendicular to ϕ Abutment

NOTE:
Drill and Epoxy all ST1, A10, and A12 bars as shown into existing abutment concrete (12" Min. Embed.)

Epoxy Resin shall be selected from Kansas Department of Transportation Prequalified Materials List, PQL-10.5 "Epoxy-Resin-Base Bonding Systems for Concrete".

All materials, labor, and equipment necessary for this work shall be considered *subsidiary* to the bid item "Reinforcing Steel".

©2017 MKEC Engineering
All Rights Reserved
www.mkec.com
These drawings and their contents, including, but not limited to, all concepts, designs, & ideas are the exclusive property of MKEC Engineering (MKEC), and may not be used or reproduced in any way without the express consent of MKEC.

**PHASE 2
ABUTMENT EXT.
DETAILS**

PROJECT NO.	472-85158	
DATE	11/29/17	
SCALE	3/8"=1'	
DESIGNED	DRAWN	CHECKED
KJS	DMU	KJS

NO.	REVISION	DATE