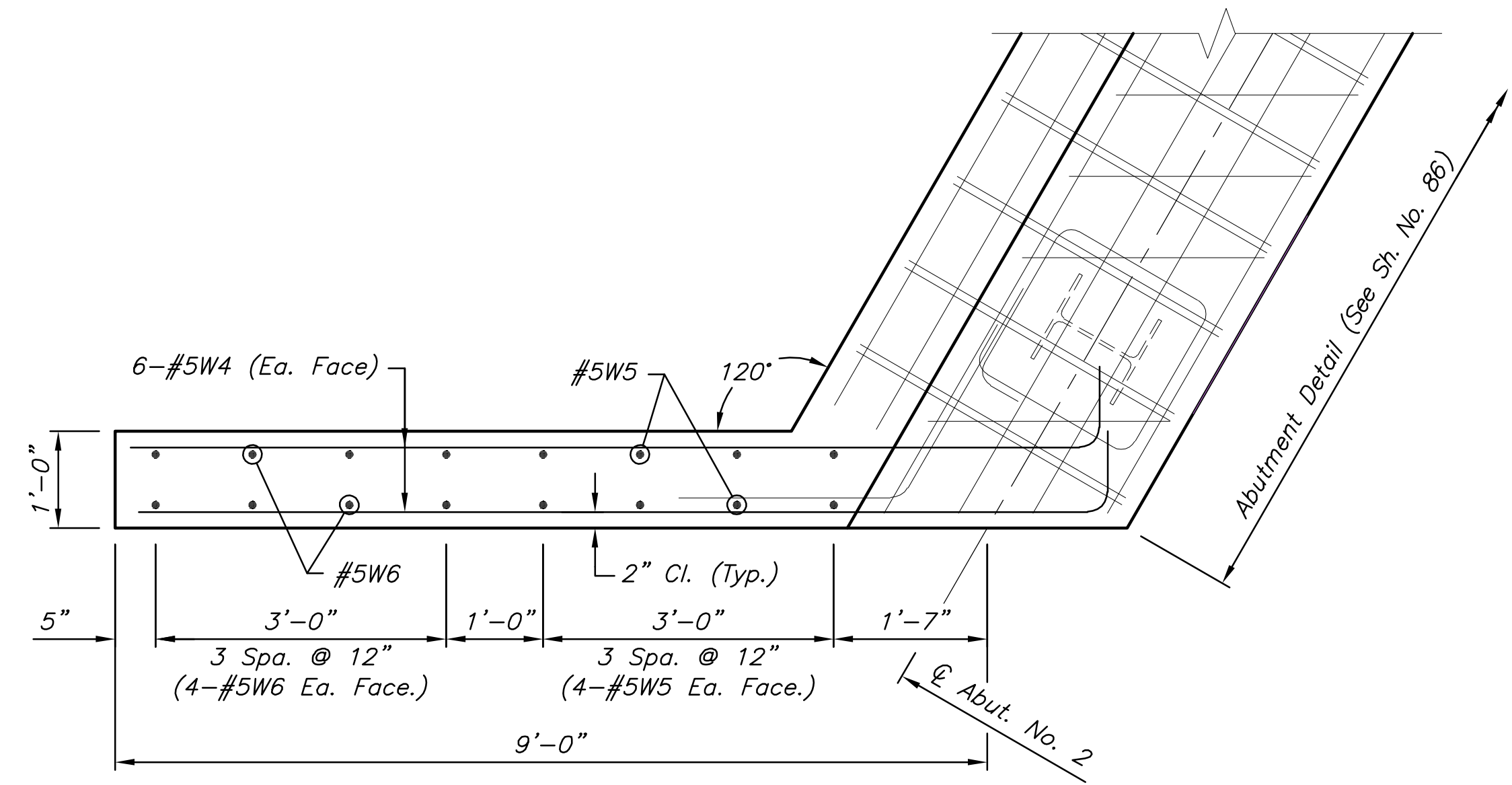
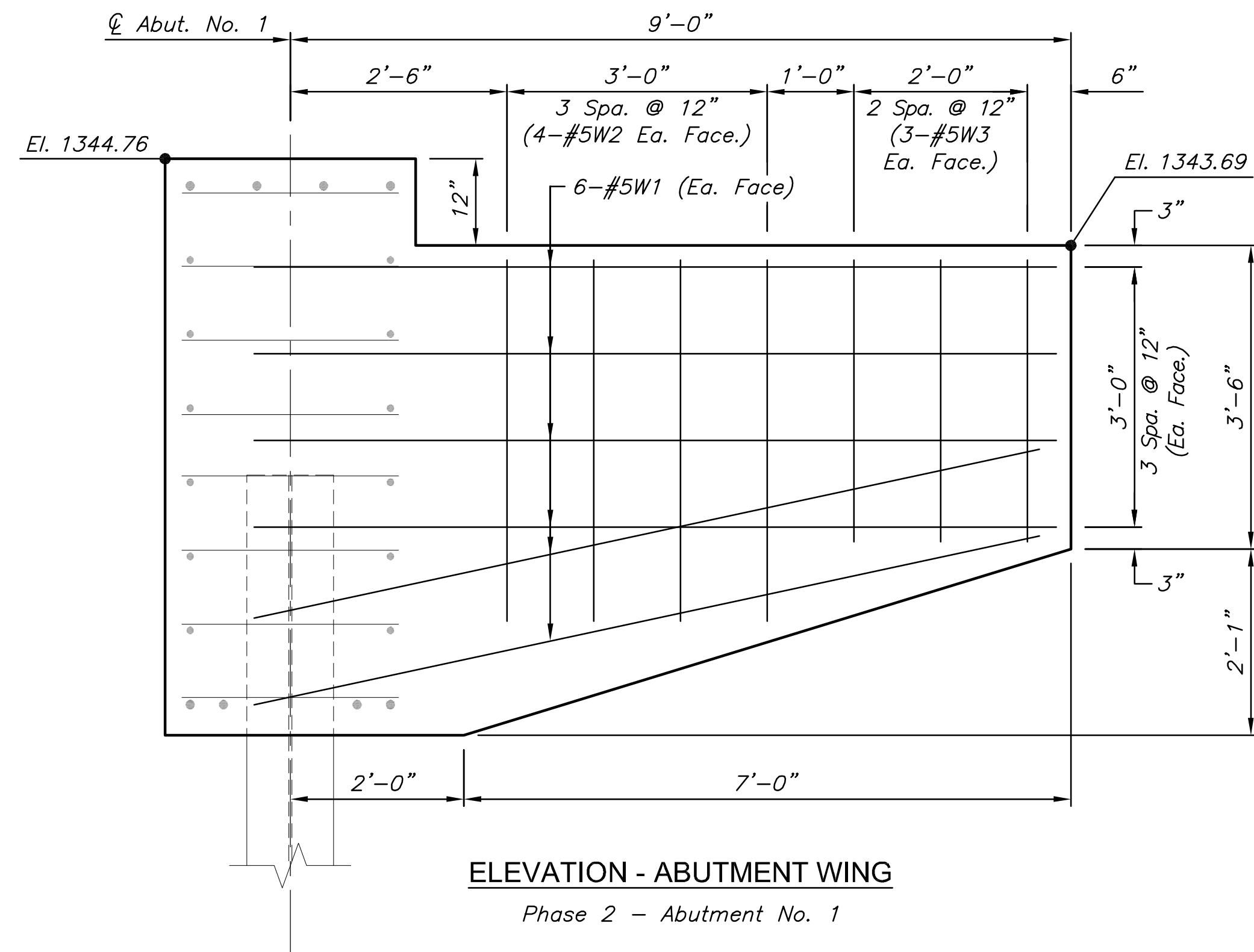


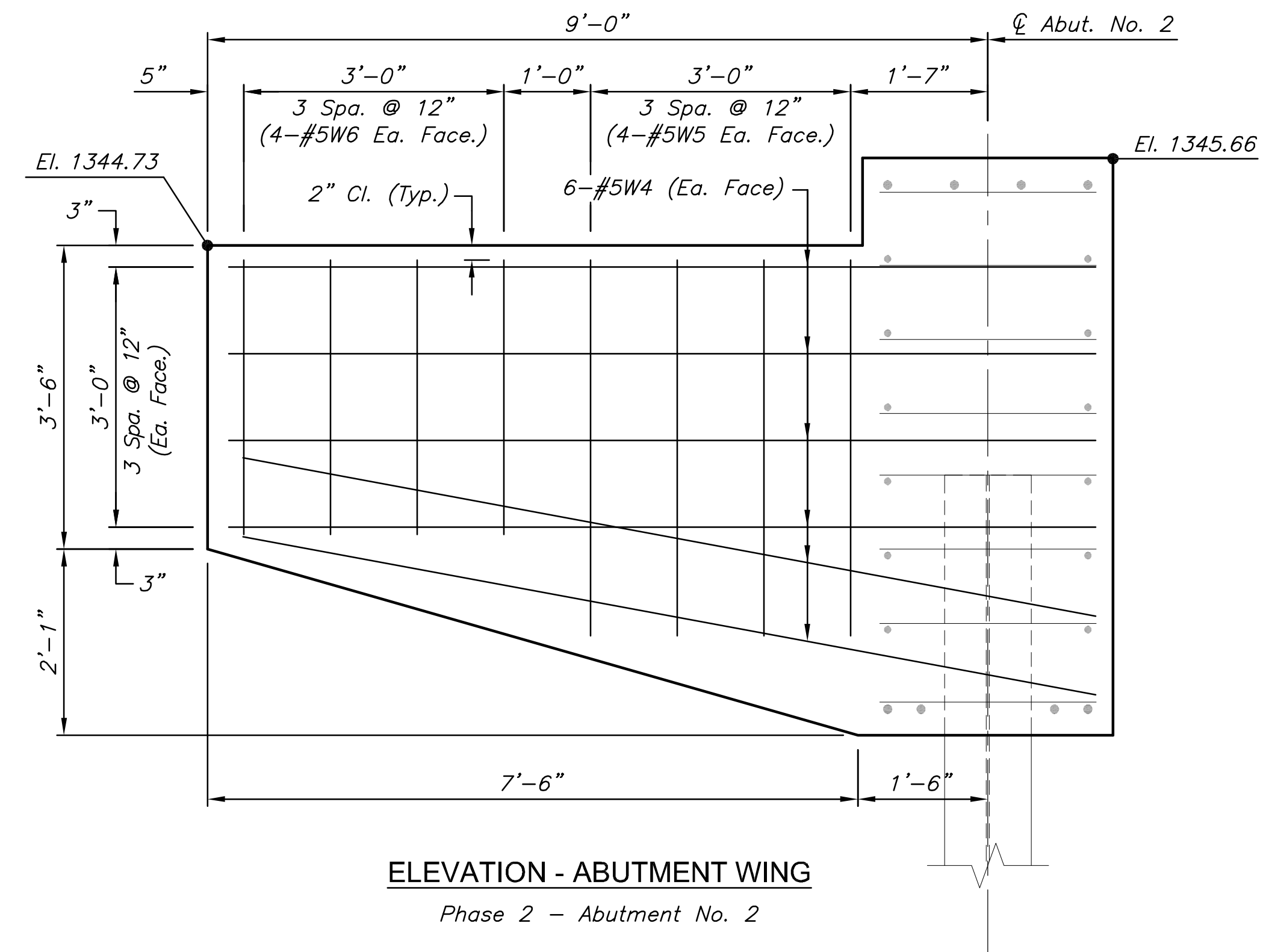
PLAN - ABUTMENT WING
Phase 2 - Abutment No. 1



PLAN - ABUTMENT WING
Phase 2 - Abutment No. 2



ELEVATION - ABUTMENT WING
Phase 2 - Abutment No. 1



ELEVATION - ABUTMENT WING
Phase 2 - Abutment No. 2

©2017
MKEC Engineering
All Rights Reserved
www.mkec.com
These drawings and their contents, including, but not limited to, all concepts, designs, & ideas are the exclusive property of MKEC Engineering (MKEC), and may not be used or reproduced in any way without the express consent of MKEC.

**PHASE 2
ABUTMENT
WING DETAILS**

PROJECT NO.	472-85158	
DATE	11/29/17	
SCALE	3/4"=1'	
DESIGNED	DRAWN	CHECKED
KJS	DMU	KJS

NO.	REVISION	DATE

SHEET NO.