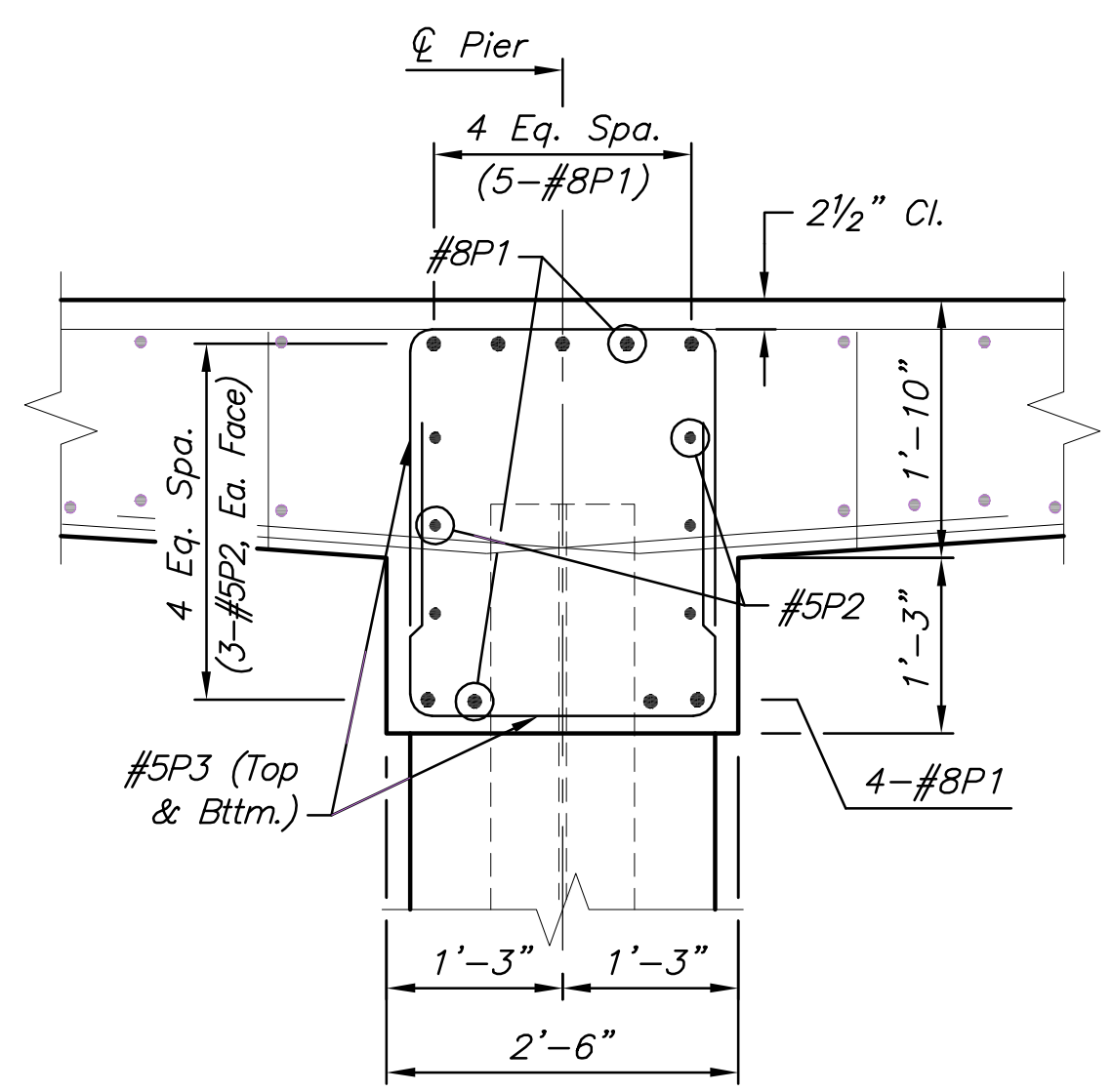
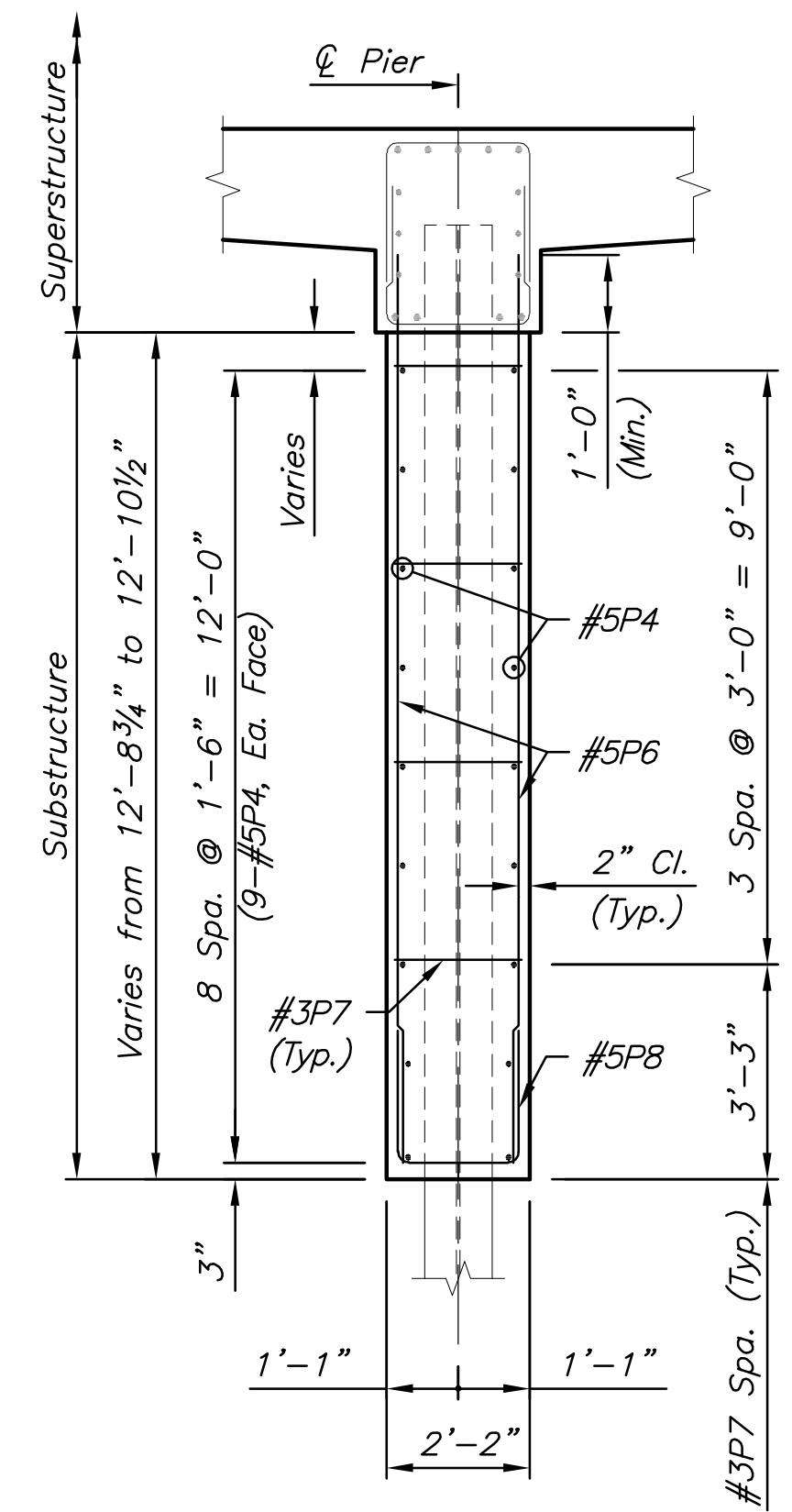


J:\PROJECTS\2017\1401040290 - COM_127\THE 13TH TO 21ST STS-CIVIL\CAO\BRIDGE\14282003.DWG
 PLOTTED: Wednesday, November 29, 2017 @ 03:09PM

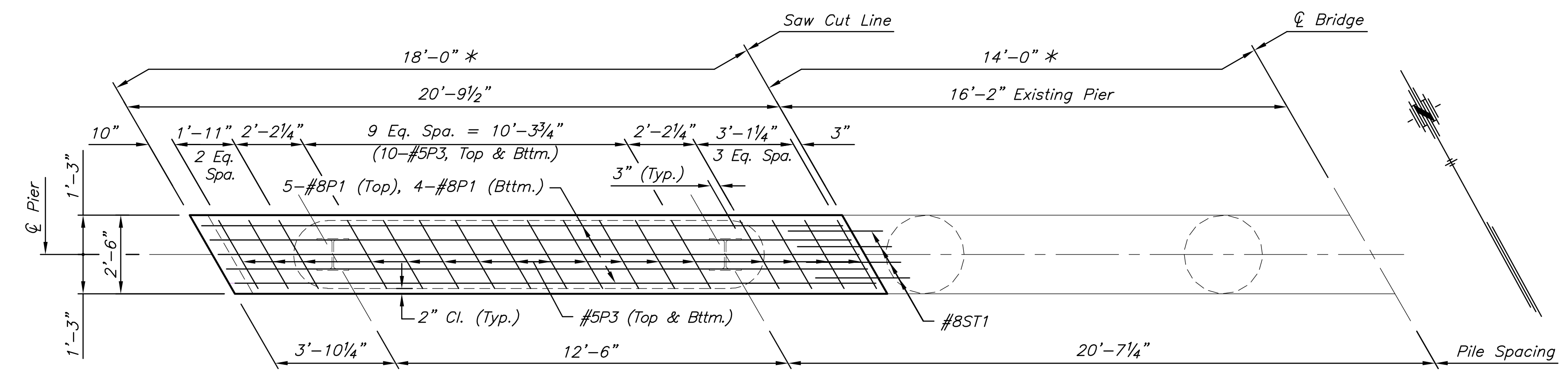


TYPICAL SECTION - PIER BEAM
Shown Perpendicular to \varnothing Pier

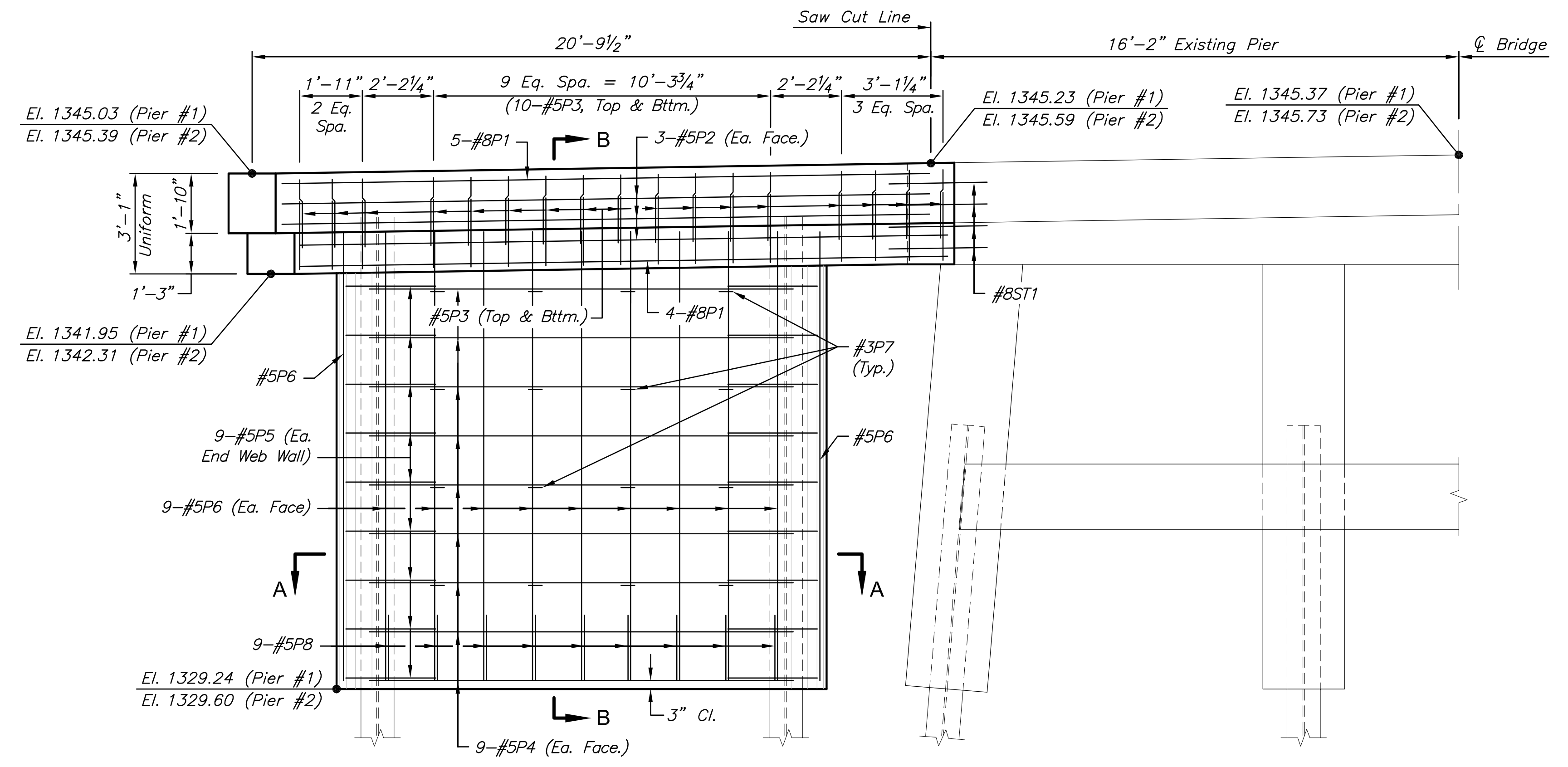


SECTION B-B

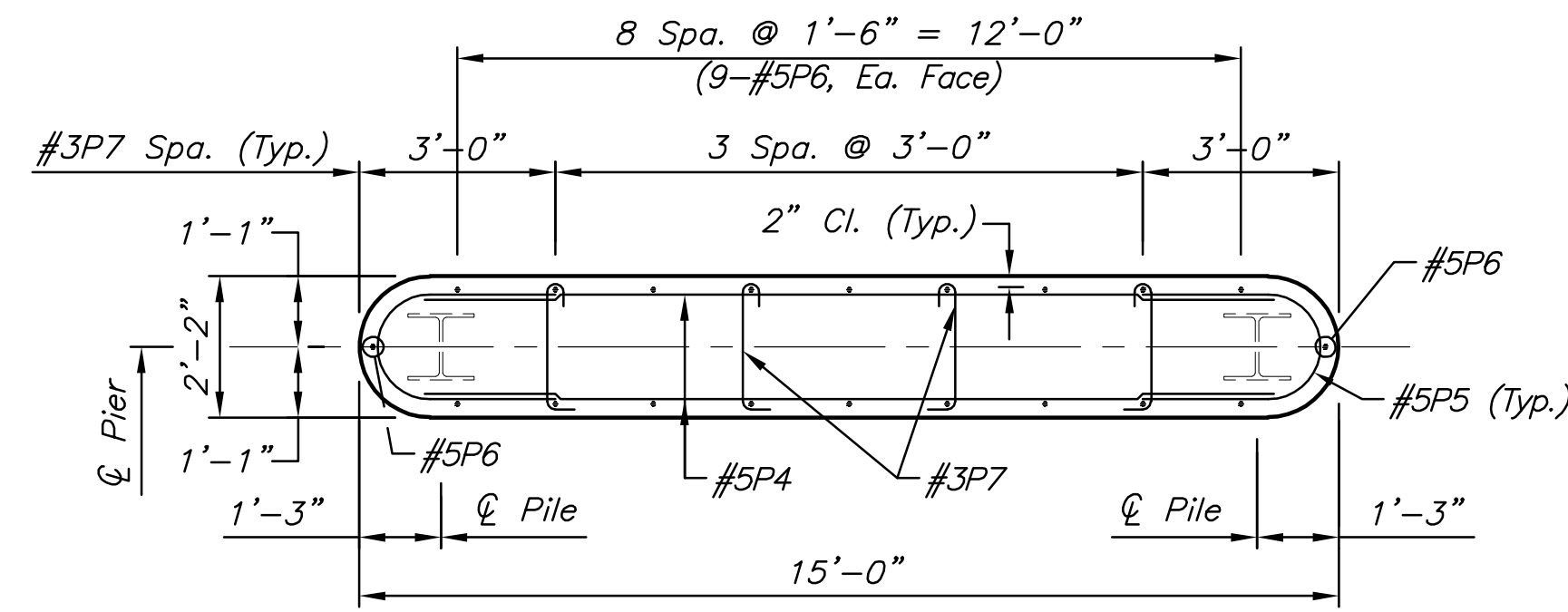
SUBSTRUCTURE CONCRETE	
Concrete (Grade 4.0) (AE)	
Location	Quantity
Pier No. 1	15.0 Cu. Yds.
Pier No. 2	15.0 Cu. Yds.



PLAN - PIER EXTENSION
* Measured perpendicular to \varnothing Bridge



ELEVATION - PIER EXTENSION
Dimensioned along \varnothing Pier (Looking Forward Station)
(Pier Beam reinforcing is shown normal to South face)

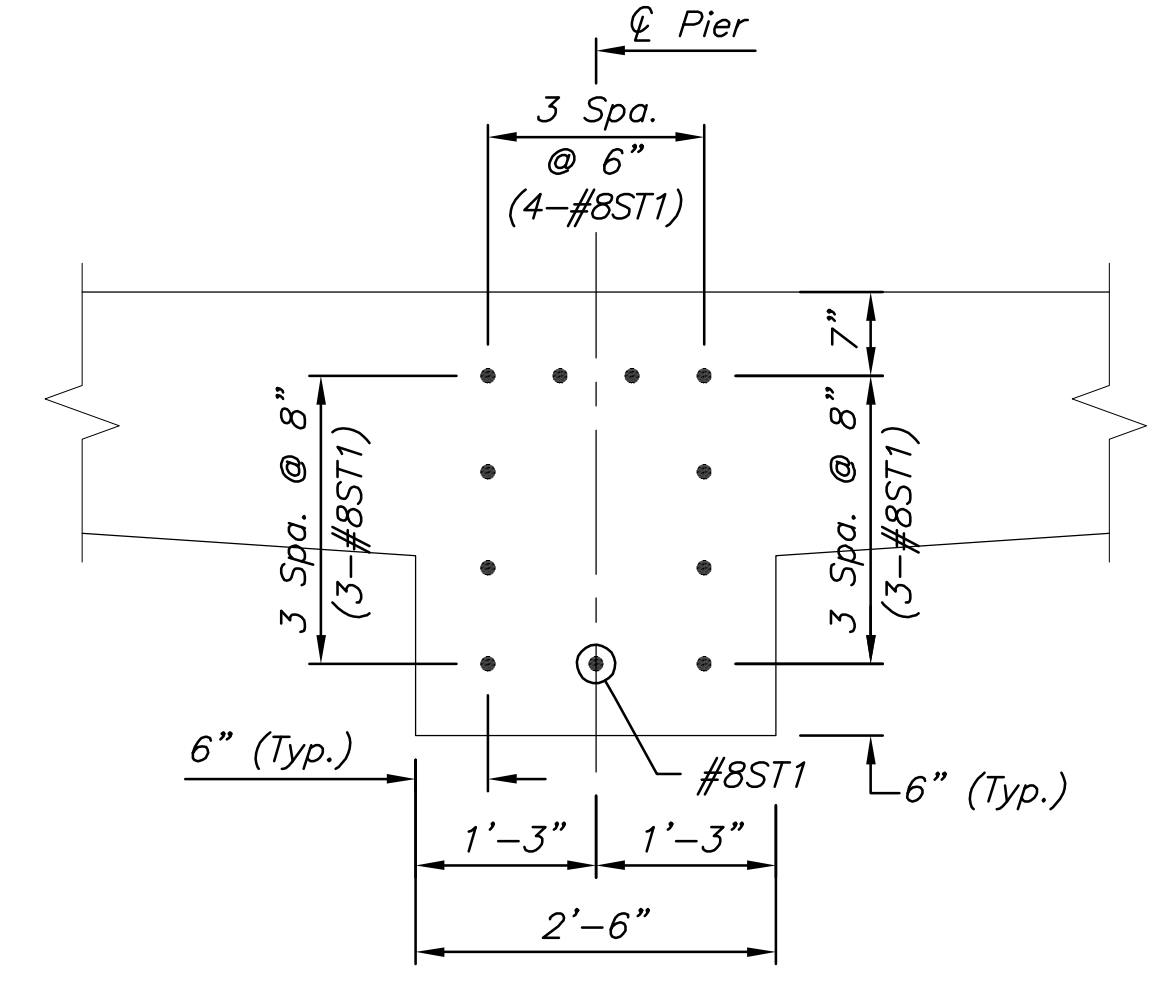


SECTION A-A

NOTE:
Drill and Epoxy all ST1 bars as shown into existing pier concrete (12" Min. Embed.)

Epoxy Resin shall be selected from Kansas Department of Transportation Prequalified Materials List, PQL-10.5 "Epoxy-Resin-Base Bonding Systems for Concrete".

All materials, labor, and equipment necessary for this work shall be considered subsidiary to the bid item "Reinforcing Steel".



EXISTING PIER BEAM END ELEVATION
Shown Perpendicular to \varnothing Pier

©2017
 MKEC Engineering
 All Rights Reserved
 www.mkec.com
 These drawings and their contents, including, but not limited to, all concepts, designs, & ideas are the exclusive property of MKEC Engineering (MKEC), and may not be used or reproduced in any way without the express consent of MKEC.

**PHASE 2
PIER EXT.
DETAILS**

PROJECT NO.	472-85158	
DATE	11/29/17	
SCALE	NTS	
DESIGNED	DRAWN	CHECKED
KJS	DMU	KJS

NO.	REVISION	DATE