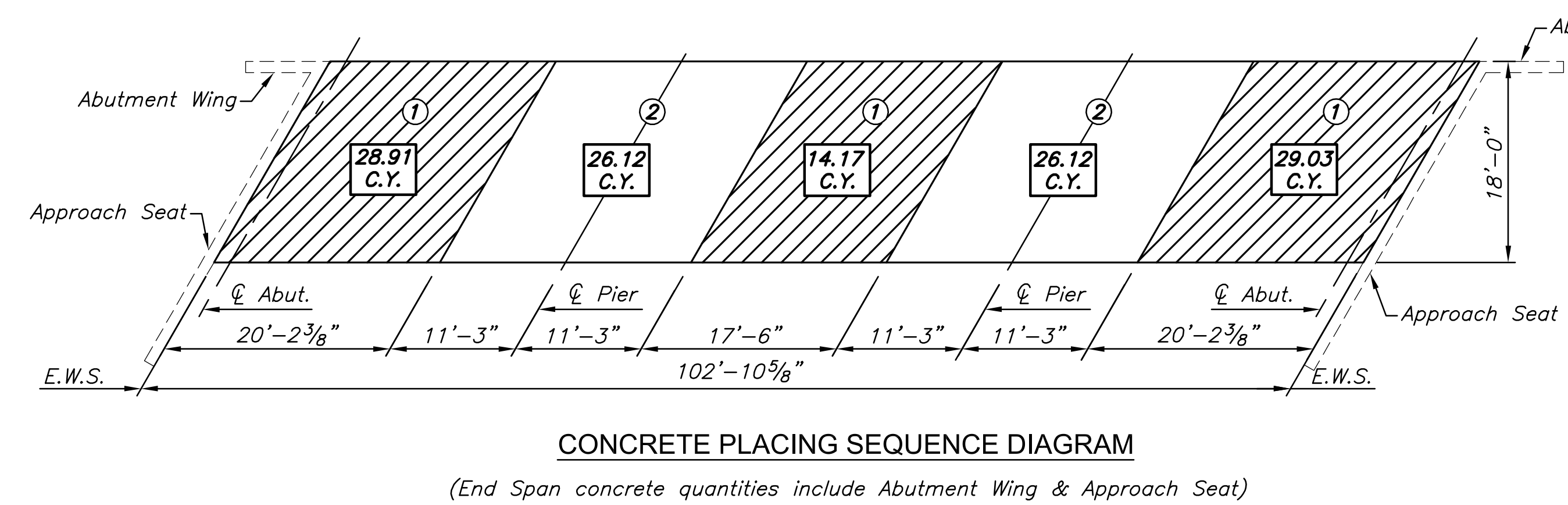
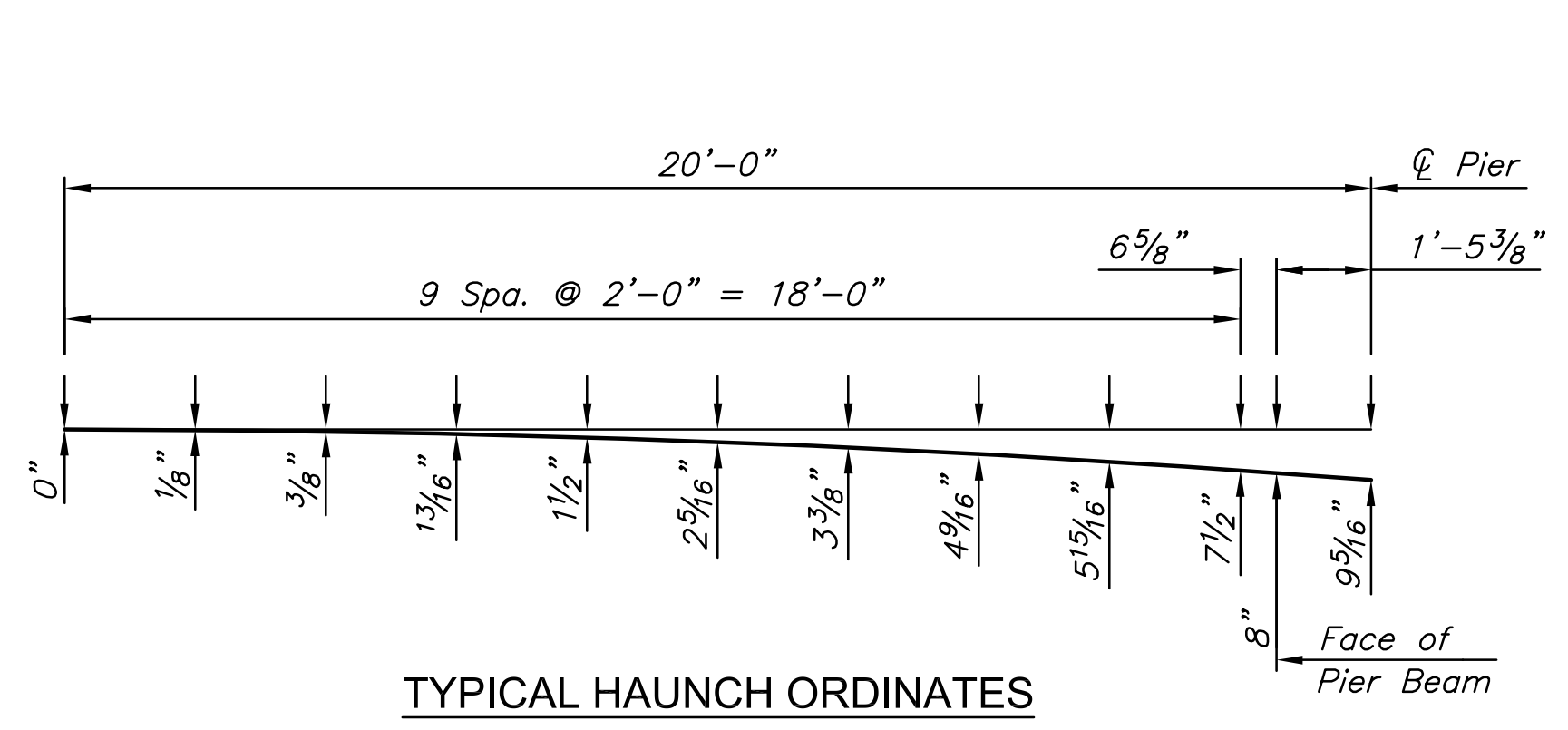
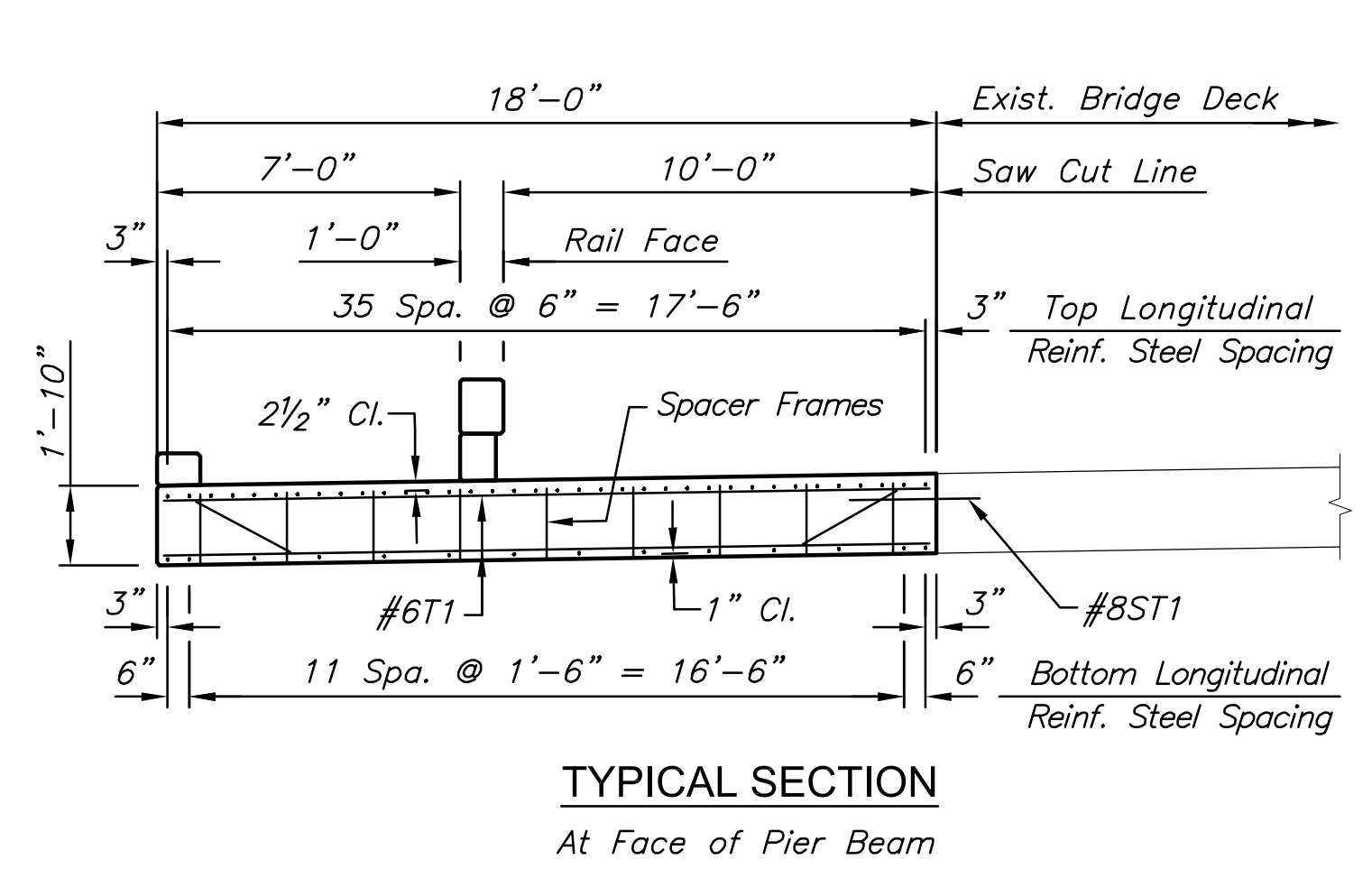
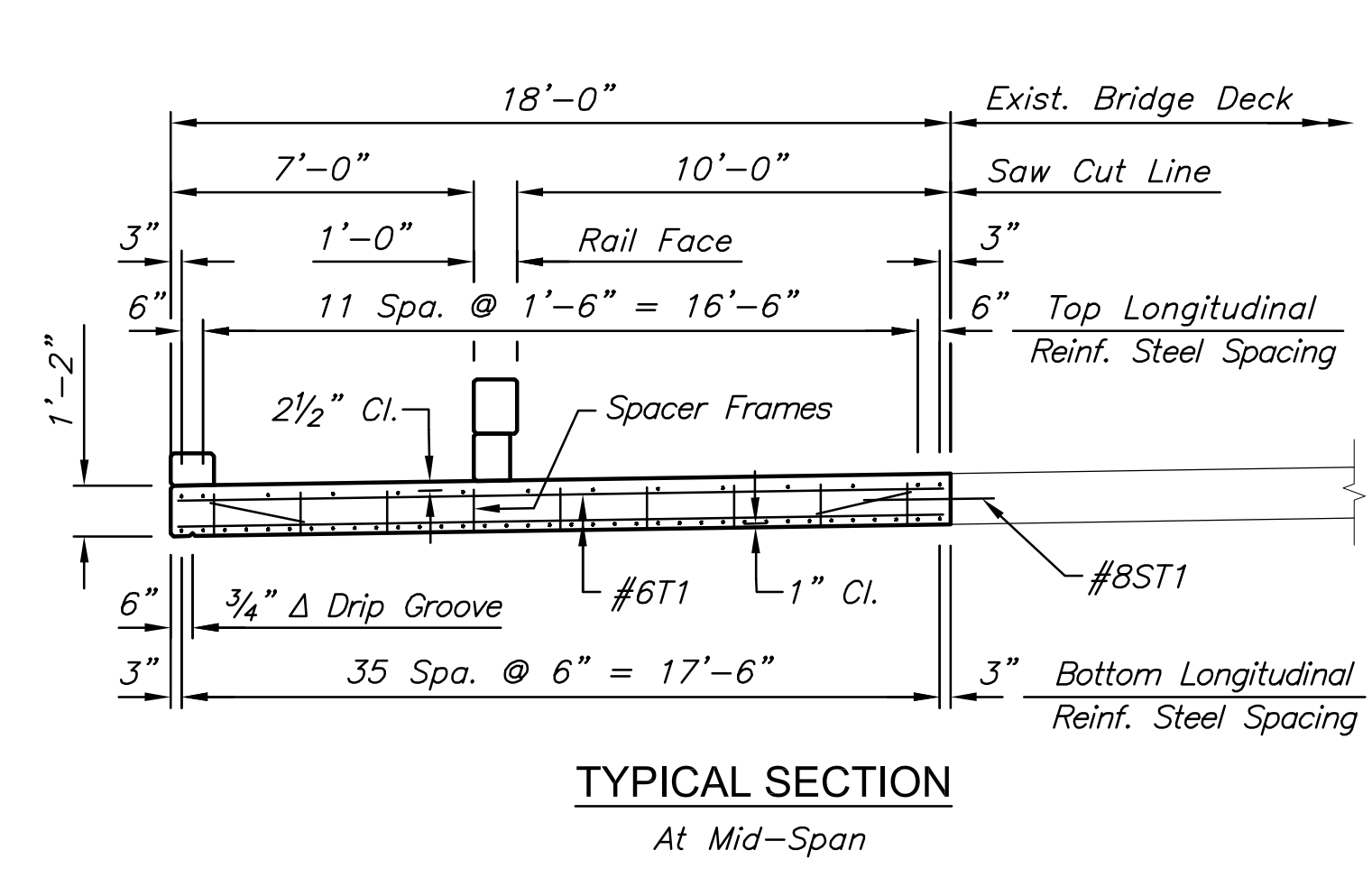
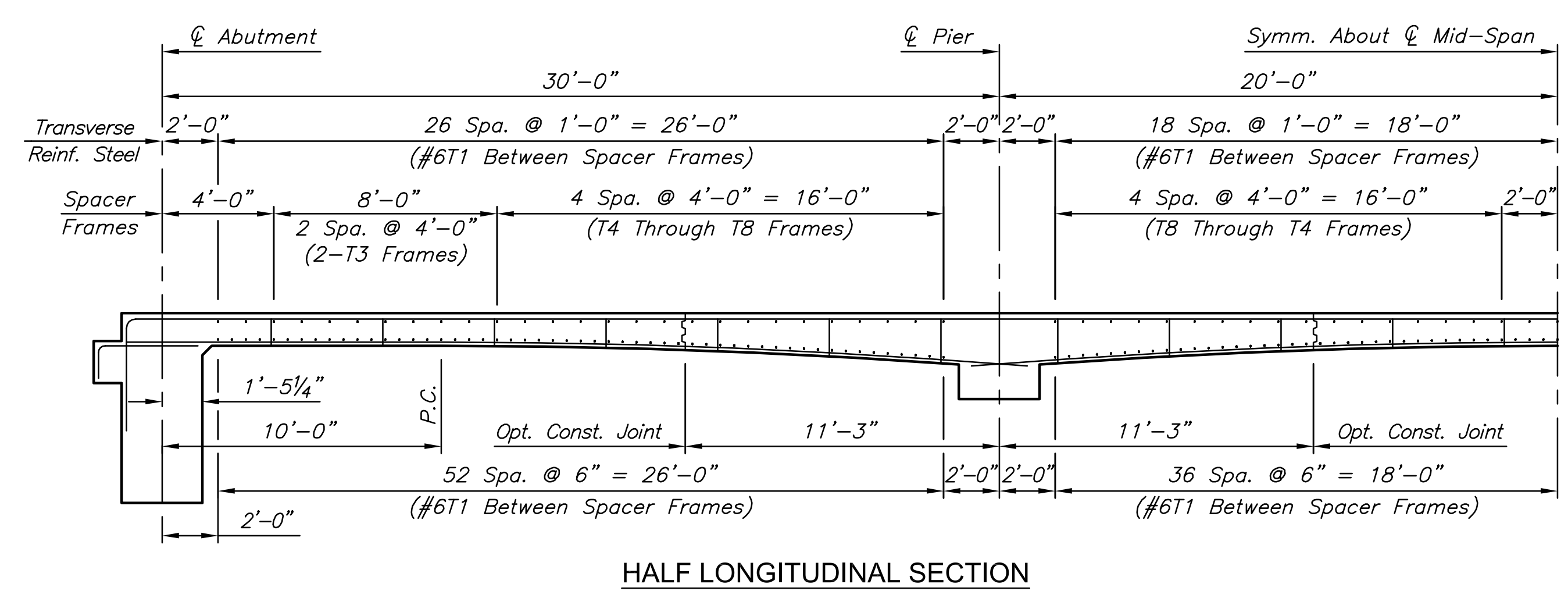
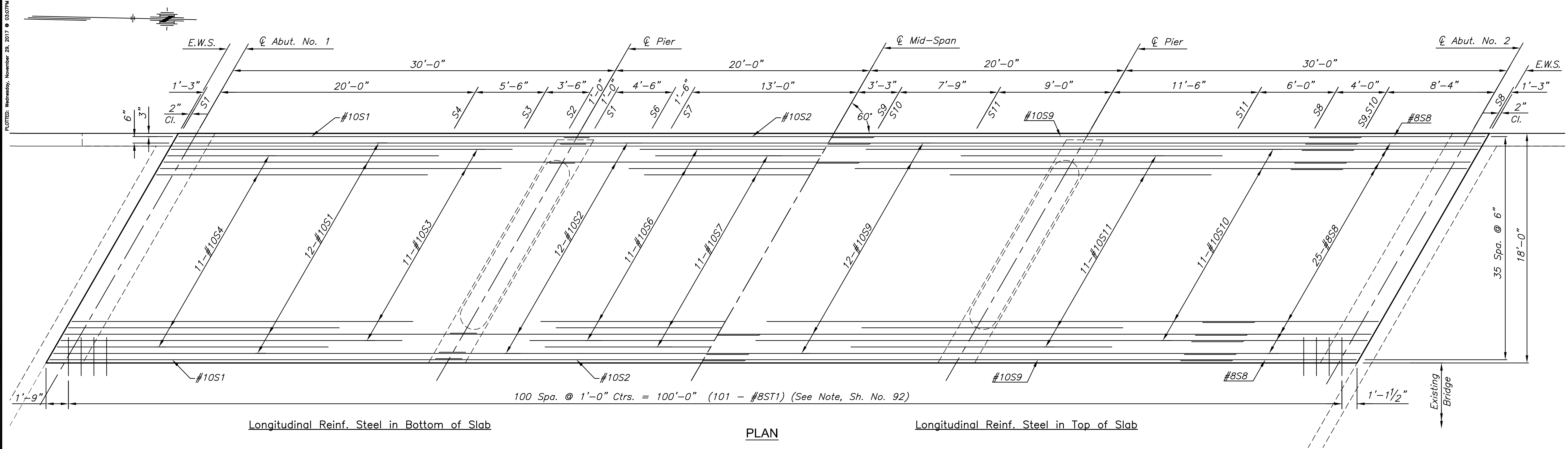


J:\PROJECTS\2017\1401040290 - COM_127\THE 13TH TO 21ST STS-CIVIL\CAO\BRIDGE\14292004.DWG
 PLOTTED: Wednesday, November 29, 2017 @ 03:07PM

STREET IMPROVEMENTS FOR
127TH STREET EAST
 FROM 13TH STREET NORTH TO 21ST STREET NORTH



NOTE
 Refer to Sh. No. 92 for "Typical Dead Load Camber Diagram at Tenth Points".

CONCRETE PLACING SEQUENCE
 When timber falsework with greater than 12'-0" clear span is used, follow the placing sequence shown. Segmental, combined or continuous pours are allowed, but stop a discontinuous pour at a construction joint short of a pier.
 The Contractor, subject to the approval of the Engineer, may use a continuous pour or may discontinue the pour at any construction joint shown.
 The Contractor may place the corral rail continuously from one end of the bridge to the other.
 Quantities shown do not include Corral Rail concrete.

©2017 MKEC Engineering All Rights Reserved www.mkec.com
 These drawings and their contents, including, but not limited to, all concepts, designs, & ideas are the exclusive property of MKEC Engineering (MKEC), and may not be used or reproduced in any way without the express consent of MKEC.

PHASE 2 SUPERSTRUCTURE DETAILS		
PROJECT NO.	472-85158	
DATE	11/29/17	
SCALE	1/4"=1'	
DESIGNED	DRAWN	CHECKED
KJS	DMU	KJS
NO.	REVISION	DATE
SHEET NO.		
89 OF 183		