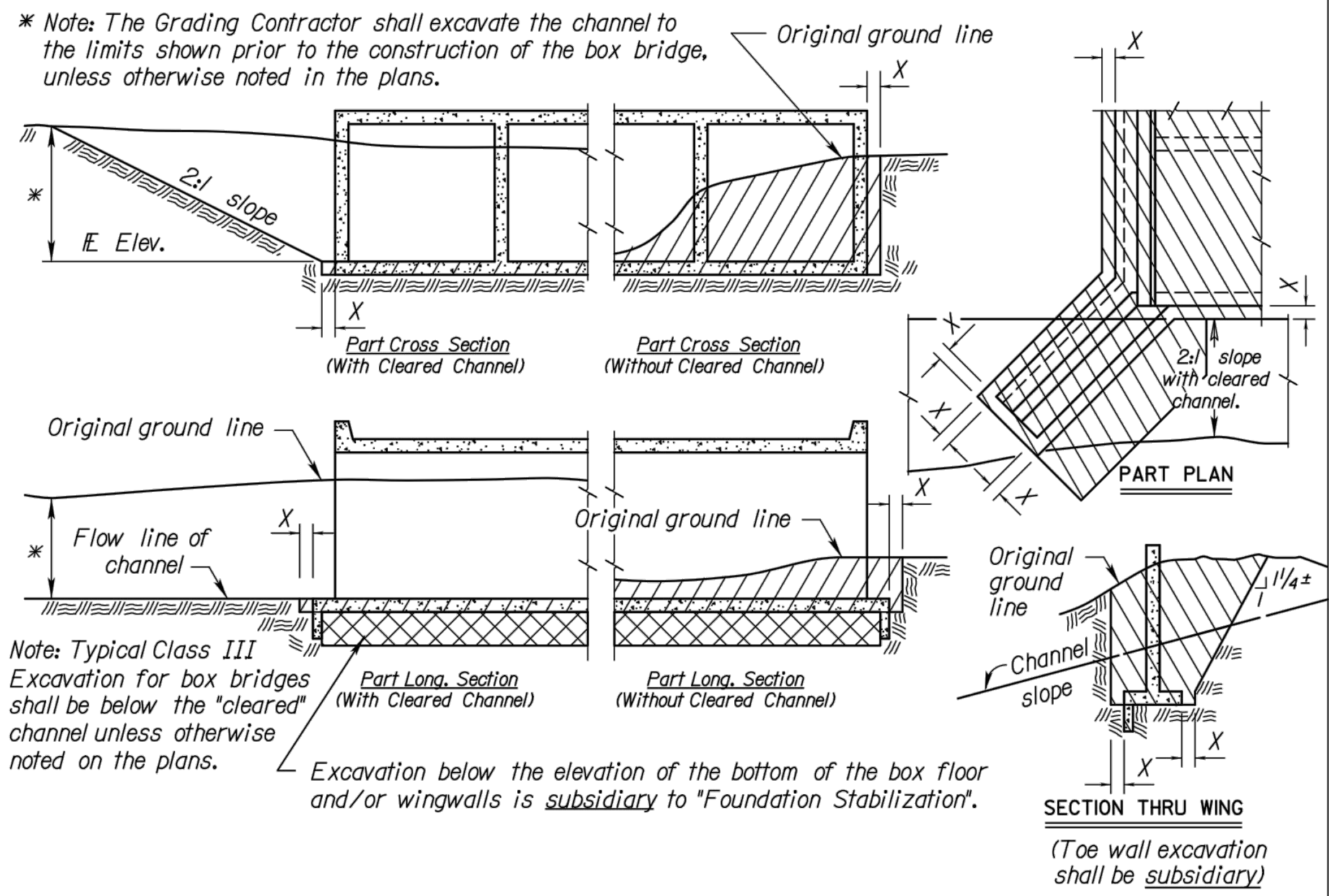
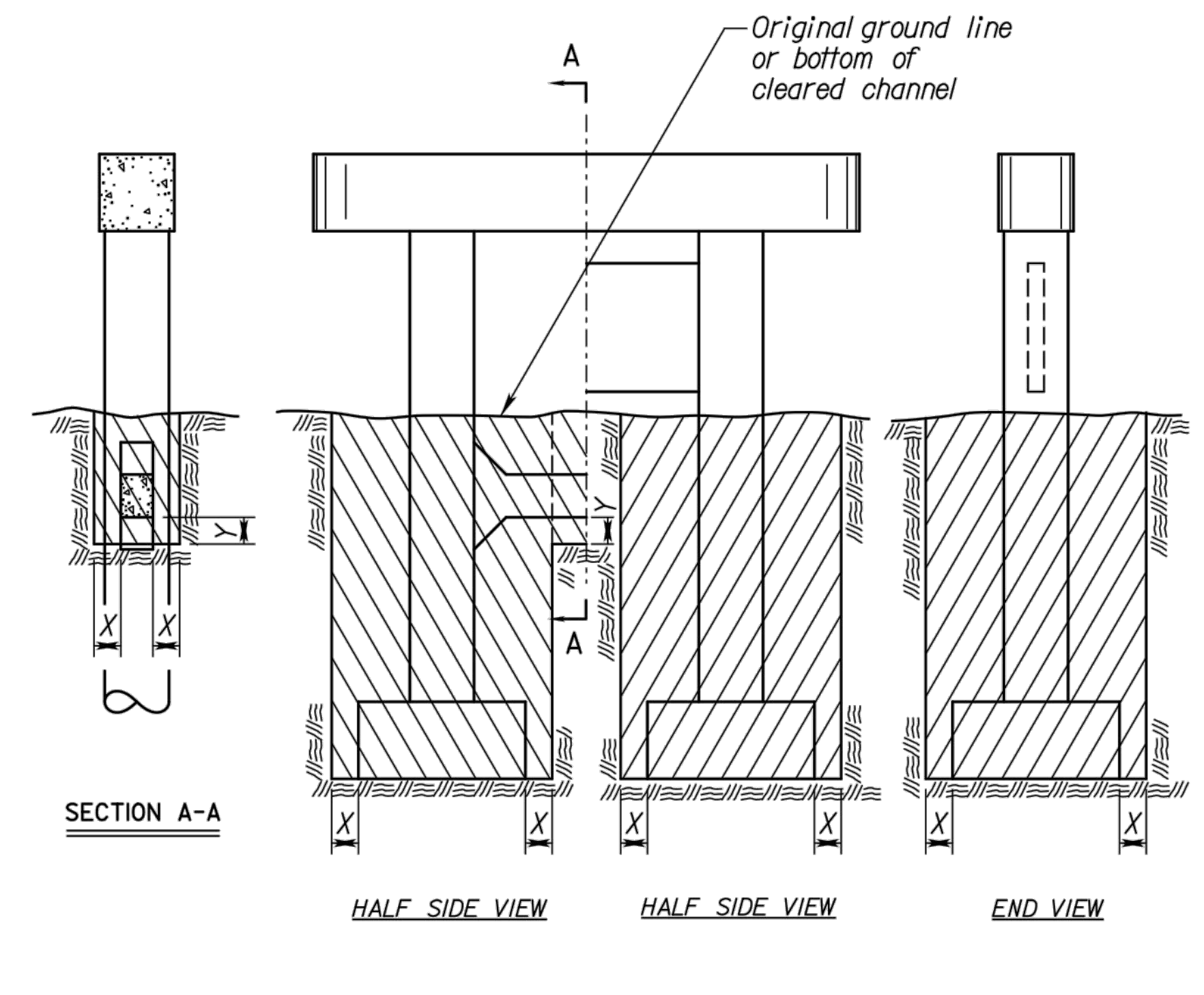


STATE	PROJECT NO.	YEAR	SHEET NO.	TOTAL SHEETS
KANSAS	87 N-0615-01	2017	99	183



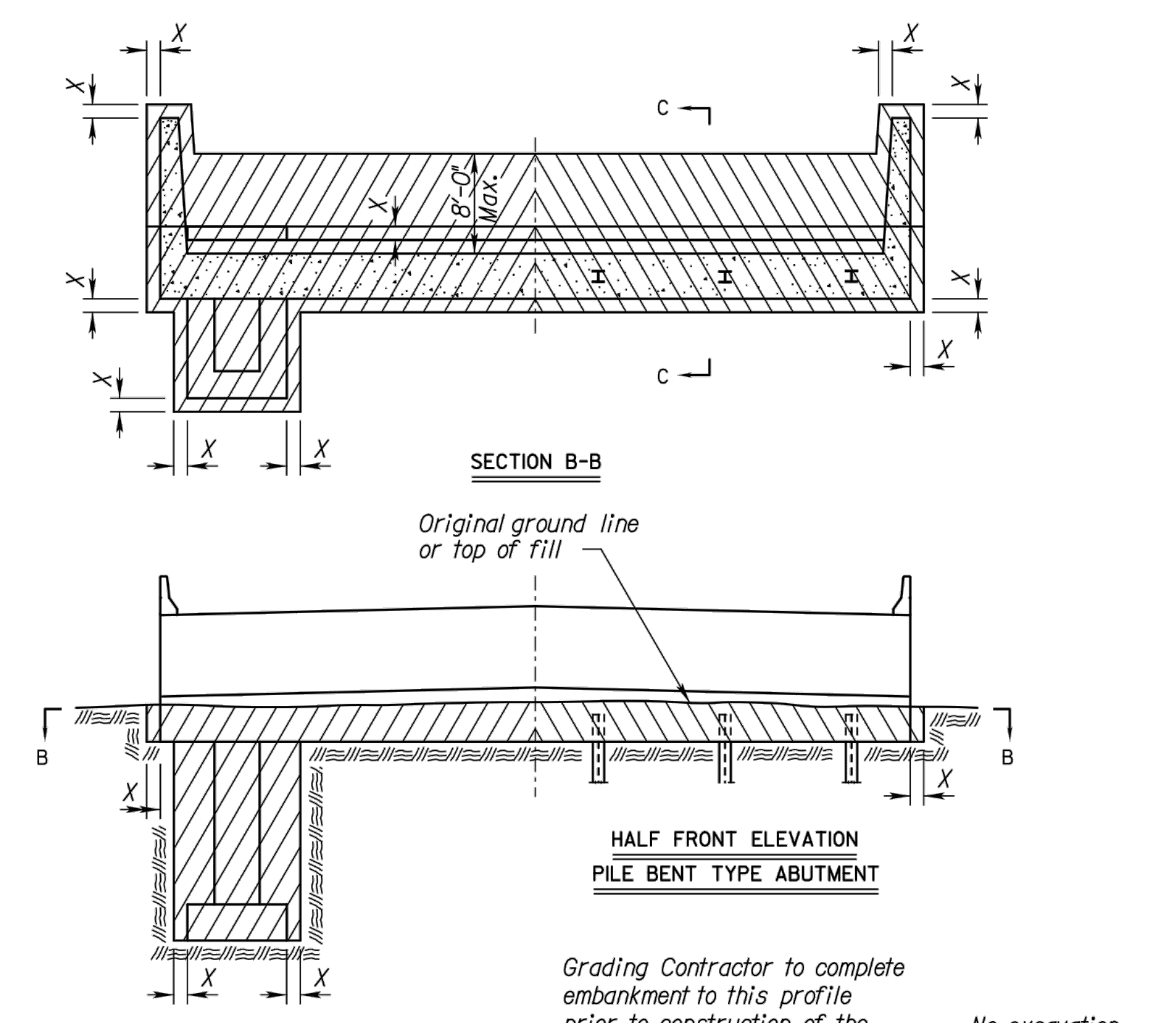
**EXCAVATION DETAILS FOR REINFORCED CONCRETE BOX CULVERT**

**Note:** Excavation for culverts less than bridge length and the additional excavation for "Embedded Structures" shall not be paid for as Class III Excavation, but shall be subsidiary to Grade 4.0 Concrete.



**EXCAVATION DETAILS FOR TYPICAL PIERS**

See detail when rock or shale (rock) is encountered. \*



Grading Contractor to complete embankment to this profile prior to construction of the abutment

No excavation beyond this line Road grade

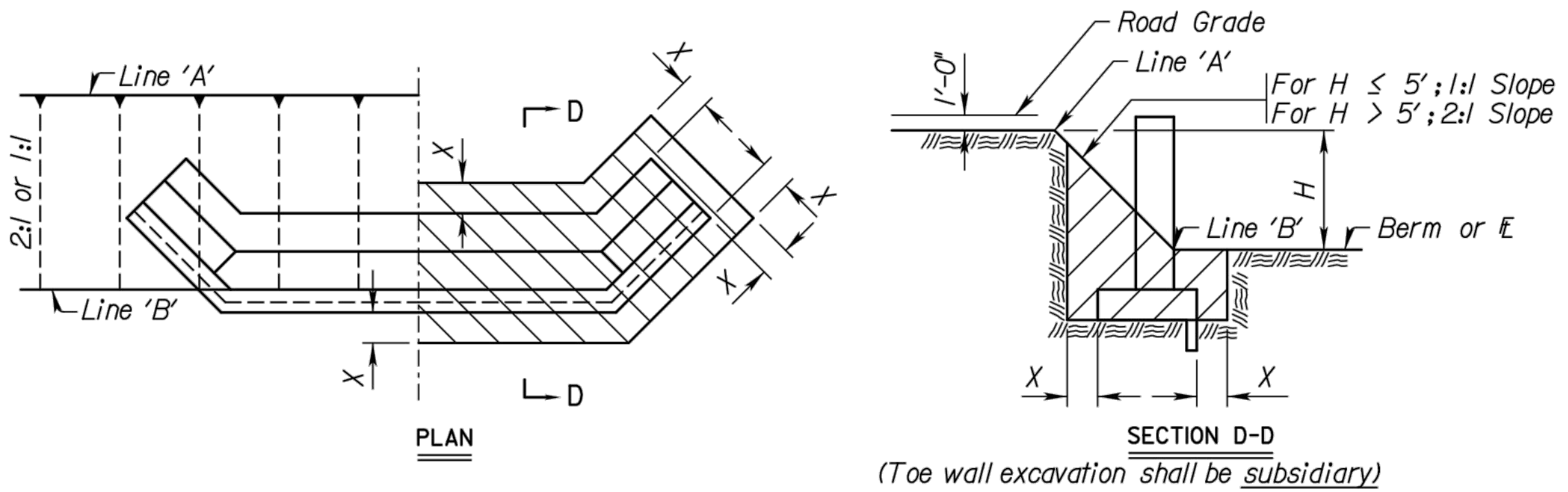
For  $H \leq 5'$ ; 1:1 Slope  
For  $H > 5'$ ; 2:1 Slope

**Note:** Bridge Contractor shall finish the embankment and berms after the construction of the abutment and dispose of any excess material as approved by the Engineer.

**Note:** Any sheeting required shall be subsidiary to the bid item for Excavation.

**EXCAVATION DETAILS FOR TYPICAL ABUTMENTS**

See detail when rock or shale (rock) is encountered. \*

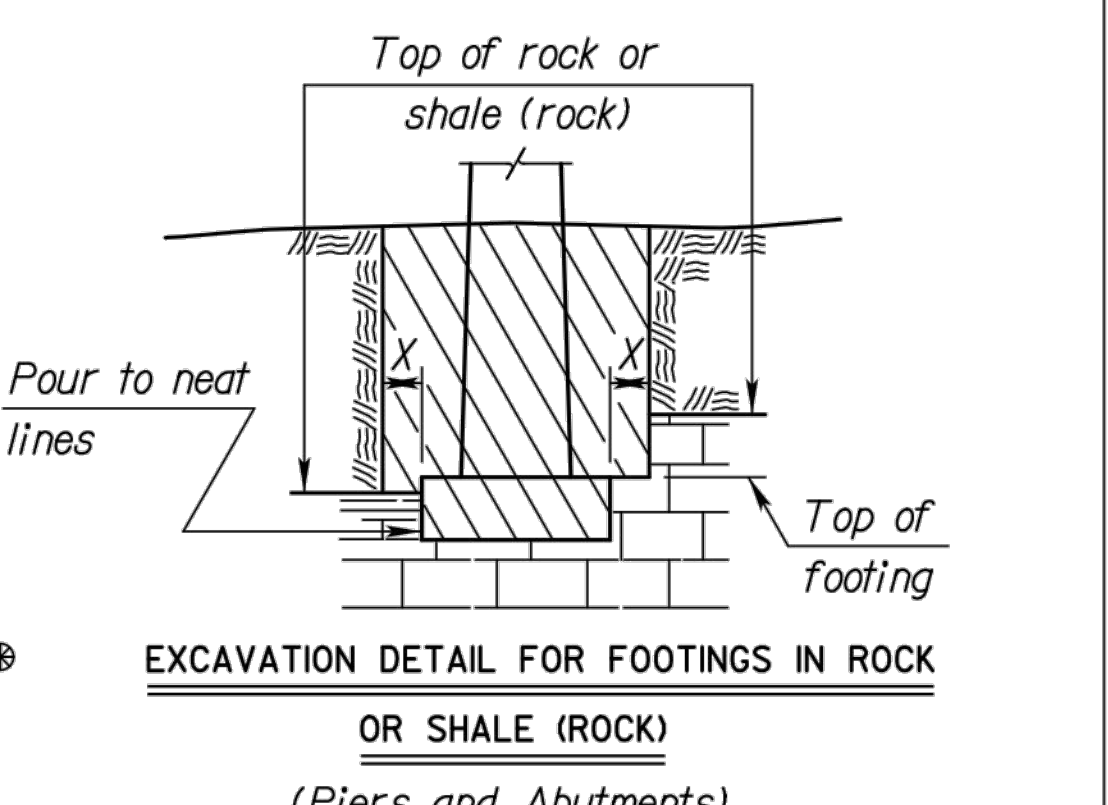


**EXCAVATION DETAILS FOR ABUTMENTS WITH FLARED WINGWALLS**

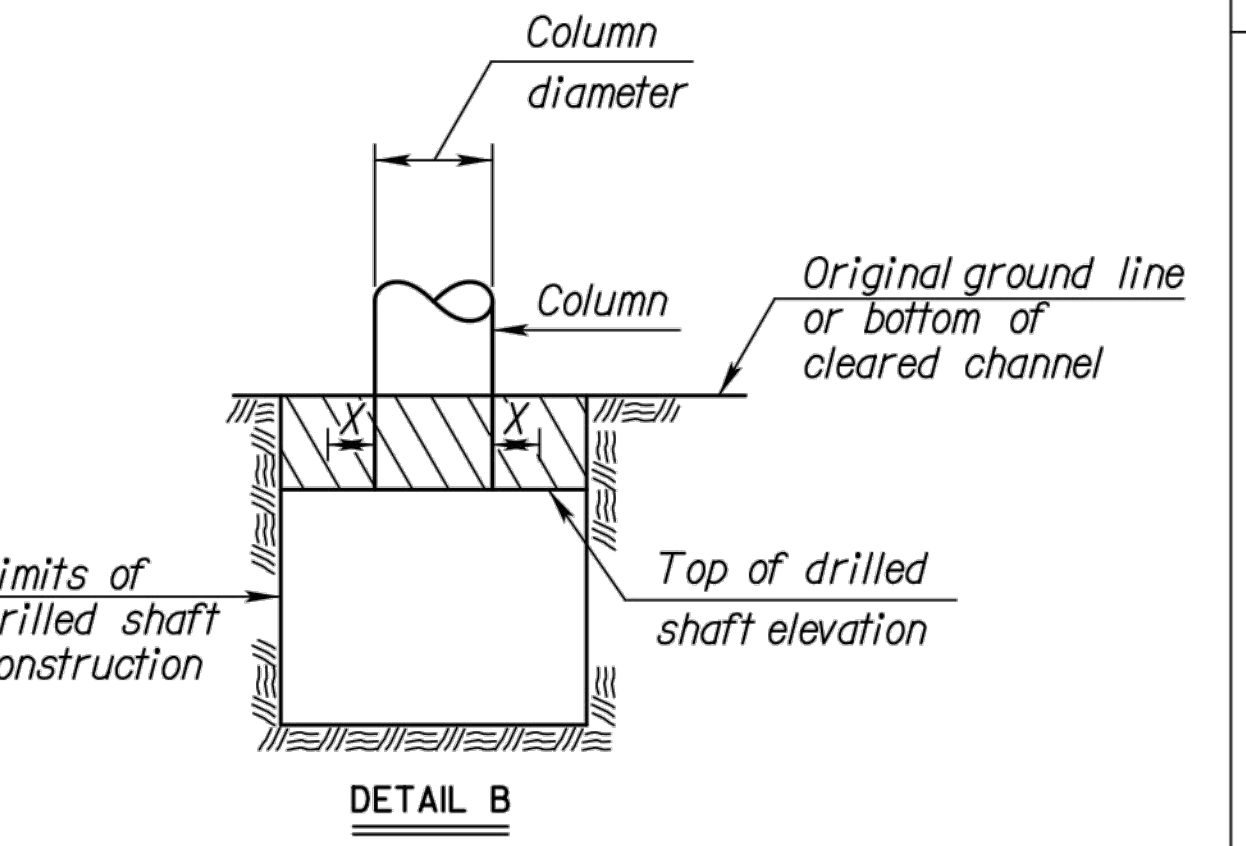
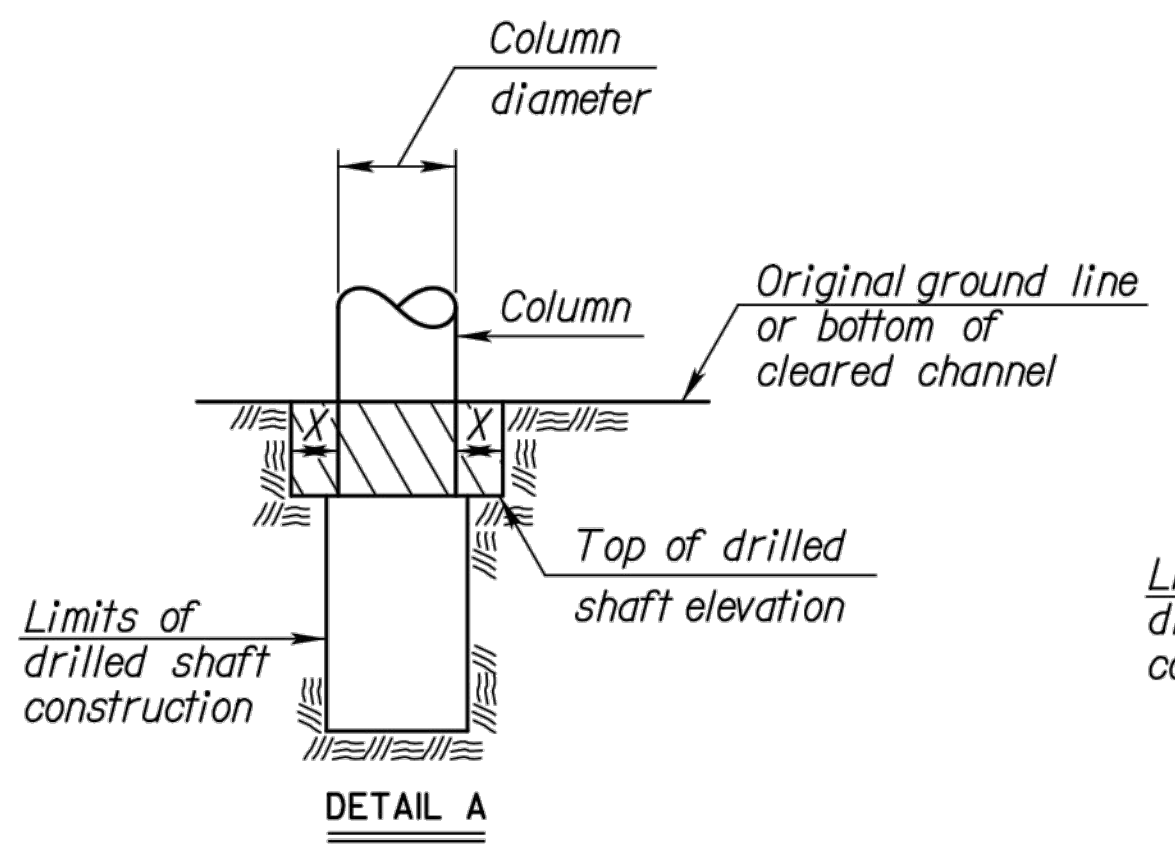
**CLASS II EXCAVATION QUANTITIES**

See detail when rock or shale (rock) is encountered. \*

**Note:** Class II Excavation includes the entire volume of whatever nature found below the "Excavation Boundary Plane", within the limits specified for measurement. This may include water or air.



**Note:** Excavation below top of rock, hard shale or below top of footing, whichever is lower, shall be to neat lines of the concrete construction.



**DRILLED SHAFT DETAILS**

**Note:** Whenever the limits of the drilled shaft construction are greater than the Column Diameter + 2X, the limits of Class I, II or III Excavation shall be the limits of the drilled shaft construction. (See Detail B)

**Note:** All bridge excavation shall be computed on the basis of the cross-hatch areas and boundary lines indicated on this sheet and the Excavation Boundary Plane on the Construction Layout.

Sides of trenches in hard or compacted soil including embankments shall be shored, sheeted, braced or otherwise supported when the trench is more than 5 feet in depth and 8 feet or more in length. In lieu of the shoring, the sides of the trench above the 5 foot level may be sloped to preclude collapse. The slope for average soils shall be 1:1. If the angle of repose of the soil is less, flatter slopes shall be required.

Dimension "X" shall be 2'-0" unless indicated otherwise on the general plans.  
Dimension "Y" shall be 1'-6" unless indicated otherwise on the general plans.

NO.	DATE	REVISIONS	BY	APP'D
7				
6	8-15-12	Embedment Excavation Subsidiary	JPJ	TLF
5	5-15-12	Revised Wing Excavation	JPJ	TLF
4	3-3-10	Revised Wing Excavation	JPJ	TLF
3	10-16-06	Revised 'Foundation Stab.' Note	JPJ	KFH
2	10-19-04	Concrete - Class to Grade	RAM	KFH
1	4-10-02	Added 'Foundation Stab.' Note	RAM	KFH

**KANSAS DEPARTMENT OF TRANSPORTATION**

**BRIDGE EXCAVATION (LRFD)**

**BRI00B**

FHWA APPROVAL	4/17/10 APP'D	TERRY L. FLECK
DESIGNED	DETAILED	RDR QUANTITIES
DESIGN CK.	DETAIL CK.	LRR QUAN CK.
		CADD CK.