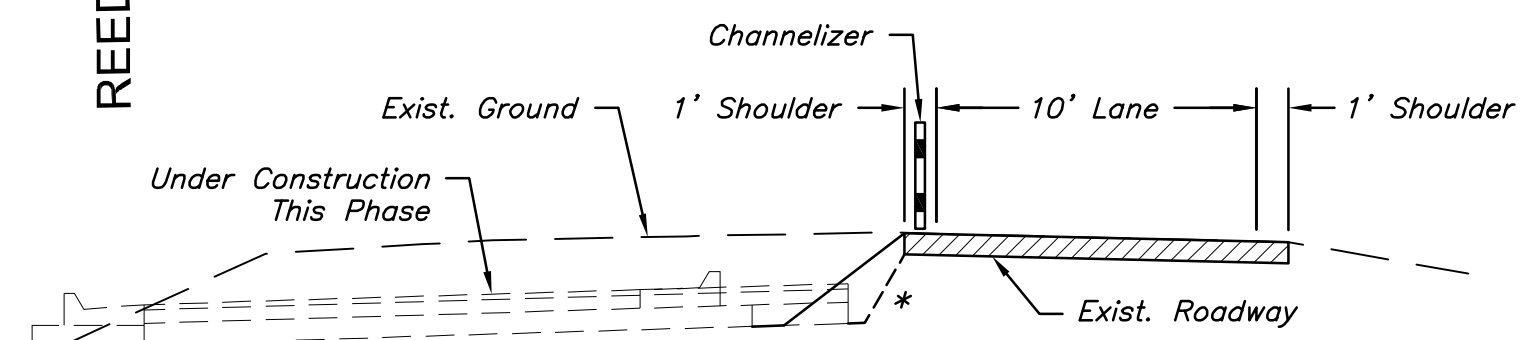
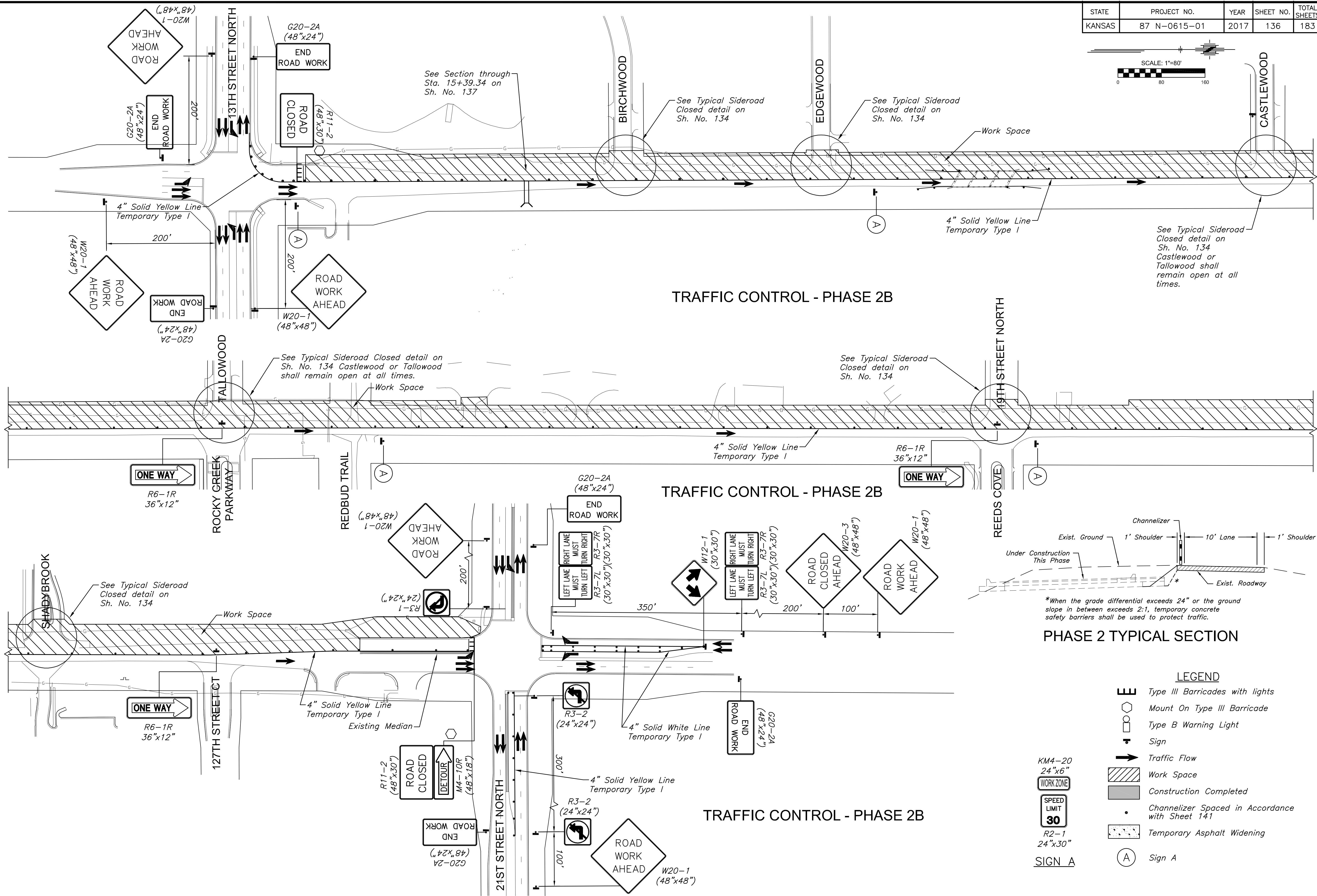
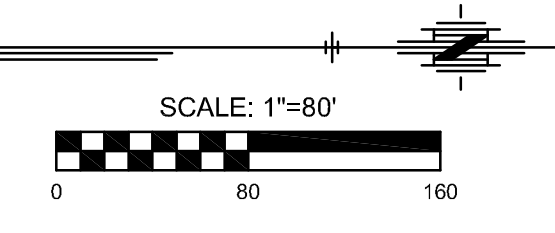


J:\PROJECTS\2017\140104260 - COW_127THE_13TH TO 21ST\05-CIVIL\CAO\TRAFFIC\4260-TPR05.DWG
 PLOTTED: Wednesday, November 29, 2017 @ 03:31PM

STATE	PROJECT NO.	YEAR	SHEET NO.	TOTAL SHEETS
KANSAS	87 N-0615-01	2017	136	183



PHASE 2 TYPICAL SECTION

LEGEND

	Type III Barricades with lights
	Mount On Type III Barricade
	Type B Warning Light
	Sign
	Traffic Flow
	Work Space
	Construction Completed
	Channelizer Spaced in Accordance with Sheet 141
	Temporary Asphalt Widening
	Sign A

STREET IMPROVEMENTS FOR
127TH STREET EAST
 FROM 13TH STREET NORTH TO 21ST STREET NORTH

©2017 MKEC Engineering
 All Rights Reserved
 www.mkec.com
 These drawings and their contents, including, but not limited to, all concepts, designs, & ideas are the exclusive property of MKEC Engineering (MKEC), and may not be used or reproduced in any way without the express consent of MKEC.

TRAFFIC CONTROL - PHASE 2B		
PROJECT NO.	472-85158	
DATE	11/29/17	
SCALE	1"=80'	
DESIGNED	DRAWN	CHECKED
JRA	BKS	JRA
NO.	REVISION	DATE
SHEET NO.		
136 OF 183		