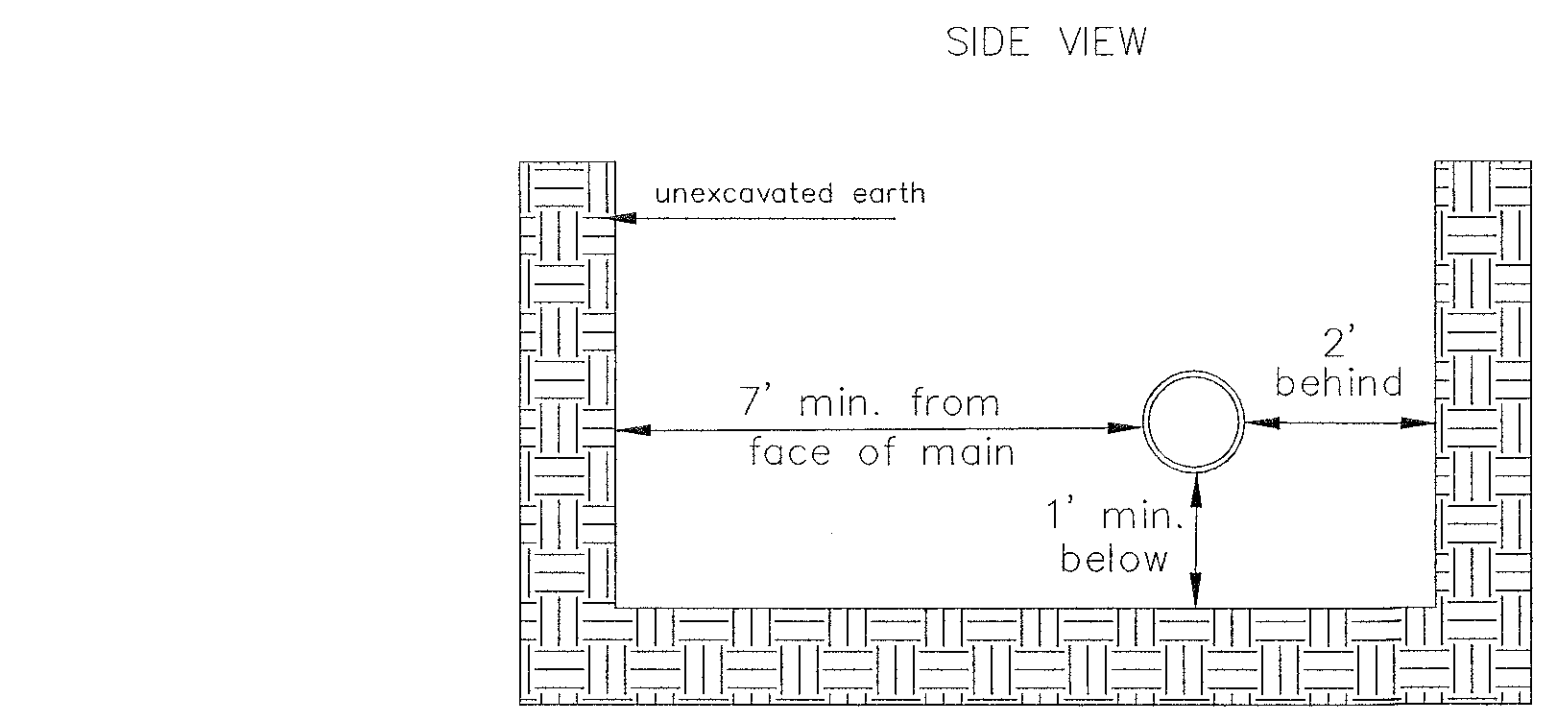
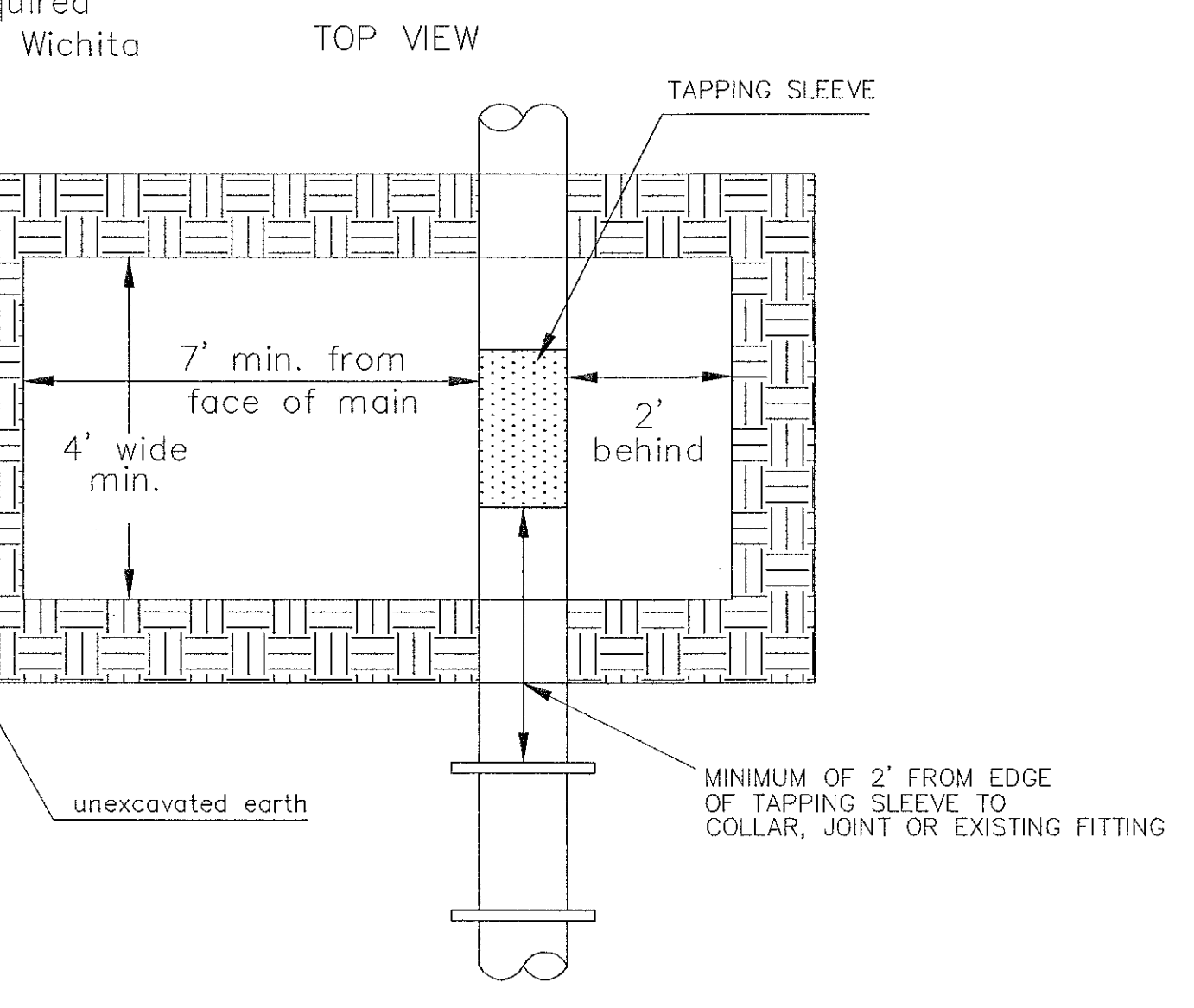


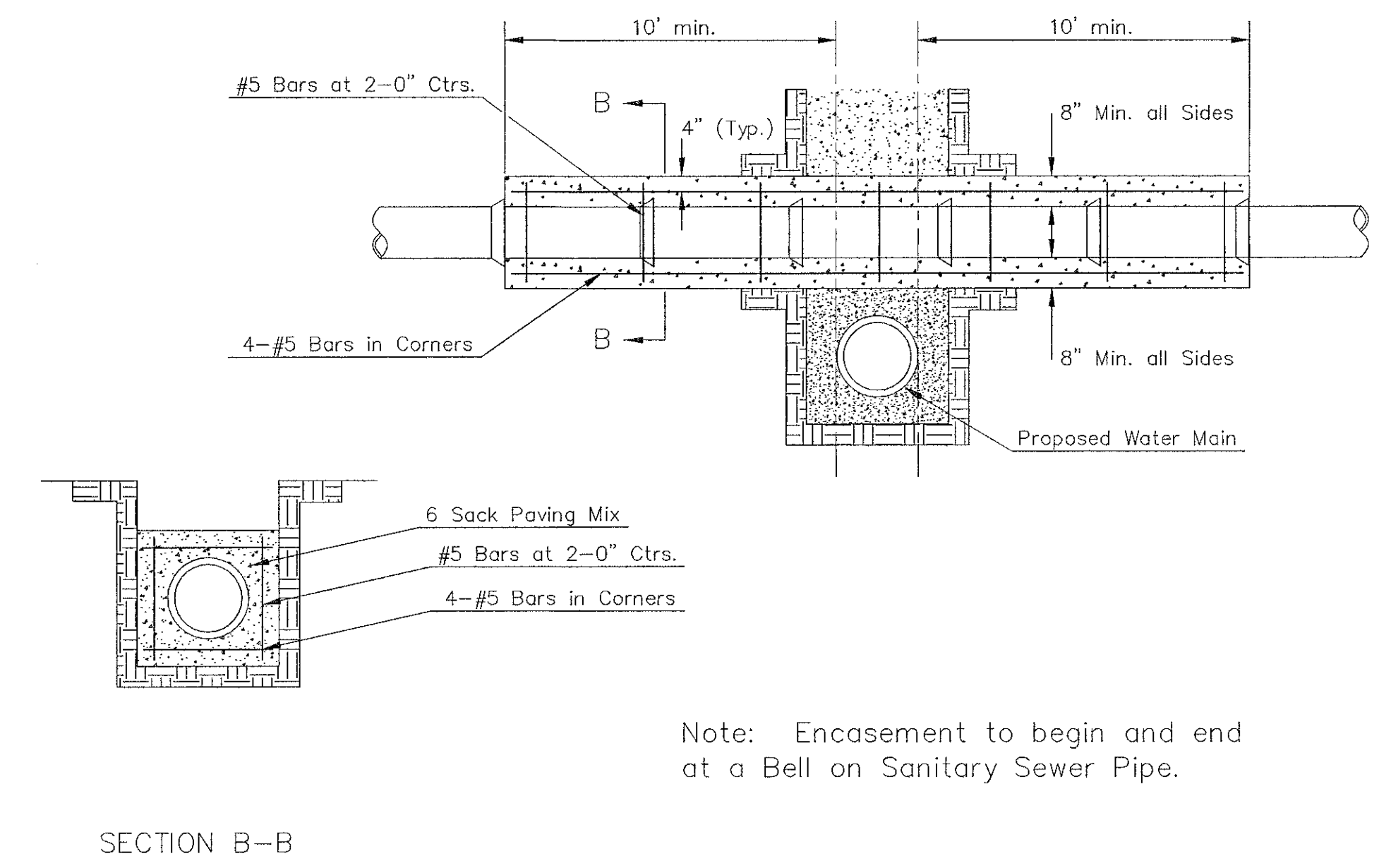
TRENCH COMPACTION IN ROAD RIGHT-OF-WAY



Note: When shoring is required it is to be per The City of Wichita Standard Specifications.



EXCAVATION FOR WET TAP

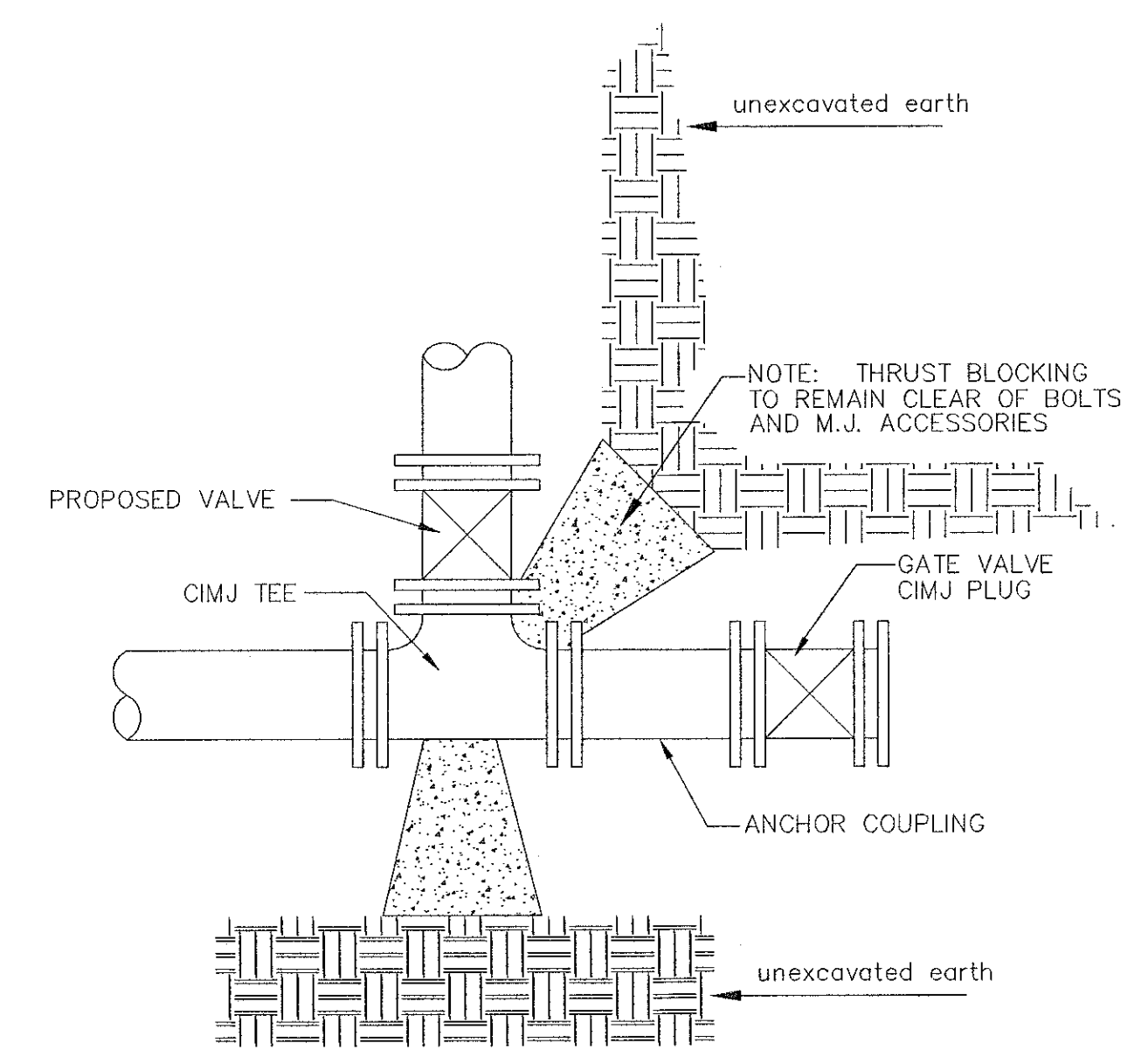


Note: Encasement to begin and end at a Bell on Sanitary Sewer Pipe.

REINFORCED CONCRETE ENCASEMENT OF SANITARY SEWER

PIPE SIZE	THRUST AT FITTINGS IN TONS--AT 150#/IN <sup>2</sup> P					
	PLUG	90°	45°	22 1/2'	11 1/4'	TEE
6"	2.8	3.95	2.15	1.09	.55	2.8
8"	4.9	6.95	3.75	1.90	.96	4.9
12"	11.4	16.1	8.75	4.45	2.25	11.4
16"	20.15	28.5	15.4	7.85	3.95	20.15
20"	31.15	44.0	23.85	12.15	6.10	31.15
24"	44.55	63.0	34.1	17.4	8.75	44.55

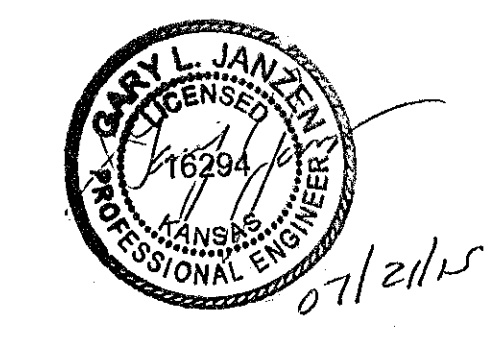
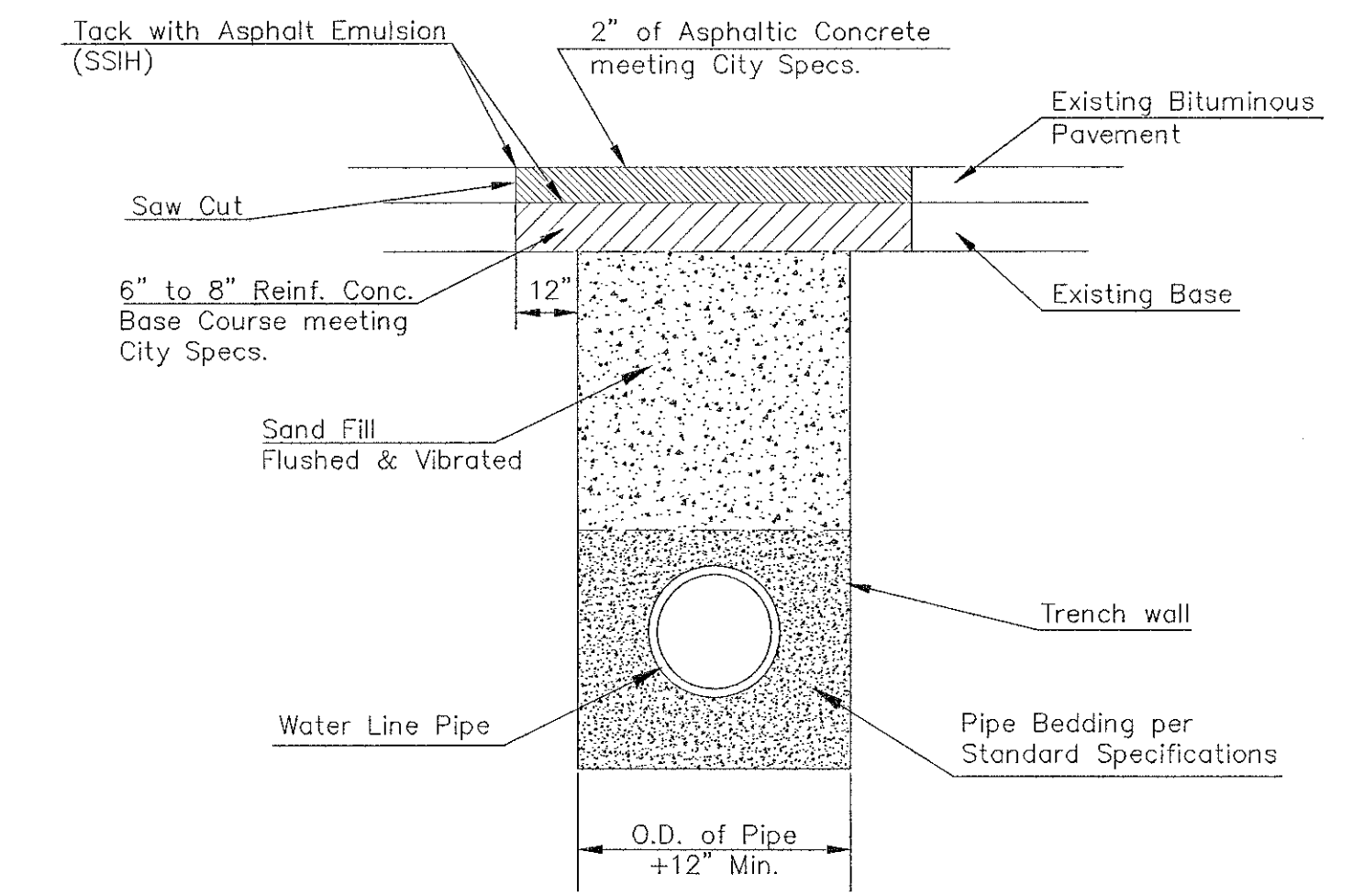
TYPICAL THRUST BLOCKS



KEY BLOCK DETAIL

\* PLANS GOVERN UNLESS OTHERWISE NOTED ON PLANS

PAVEMENT REPLACEMENT & TRENCH COMPACTION UNDER EXISTING AND PROPOSED CITY ROADS



<p>MISCELLANEOUS WATER DETAILS</p> <p>CITY ENGINEER</p> <p><b>GARY JANZEN, P.E.</b></p>		
PROJECT NUMBER	OCA NUMBER	DATE
<p>CITY ENGINEER'S OFFICE</p> <p>CITY HALL - SEVENTH FLOOR</p> <p>455 NORTH MAIN STREET</p> <p>WICHITA, KANSAS 67202-1620</p> <p>(316) 268-4501</p>		<p>SHEET</p> <p><b>7 of 15</b></p>