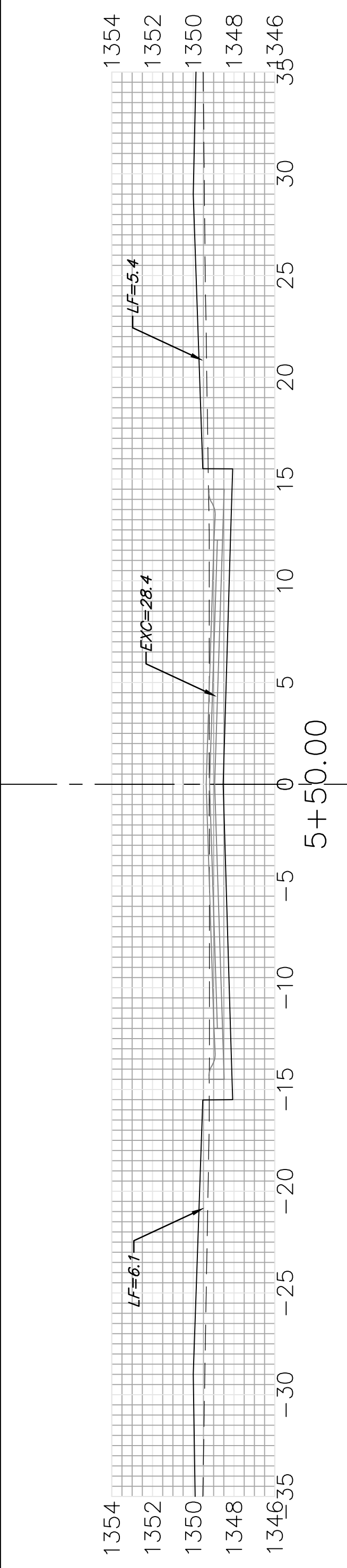
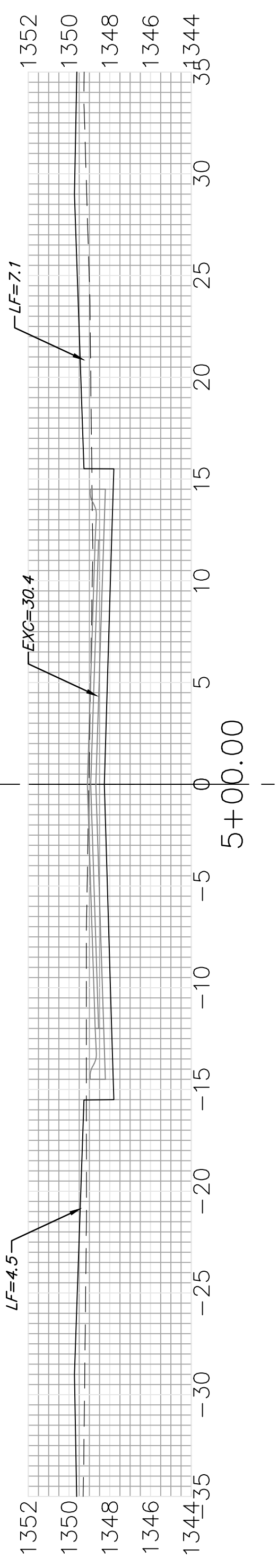


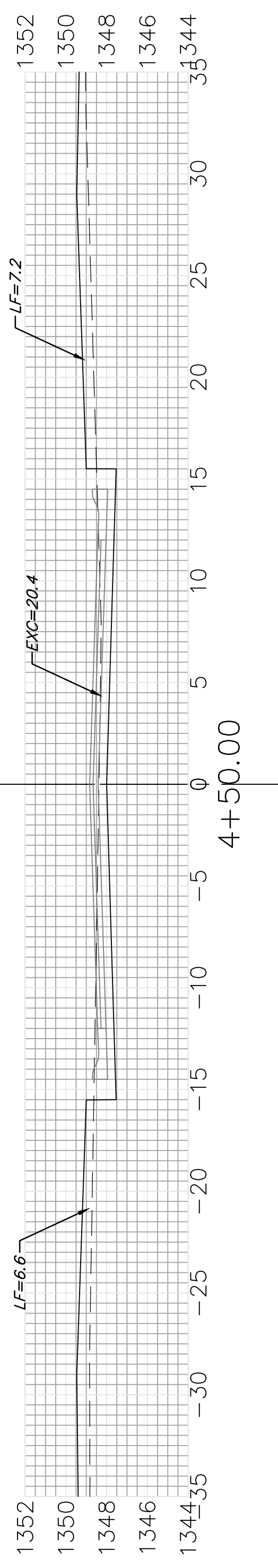
EXC = 48.1  
LF = 22.2  
CF = 0.0



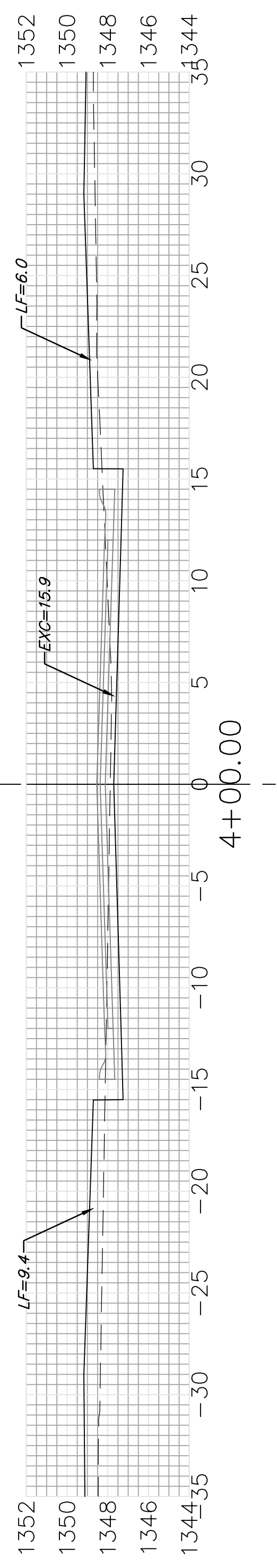
EXC = 54.4  
LF = 21.4  
CF = 0.0



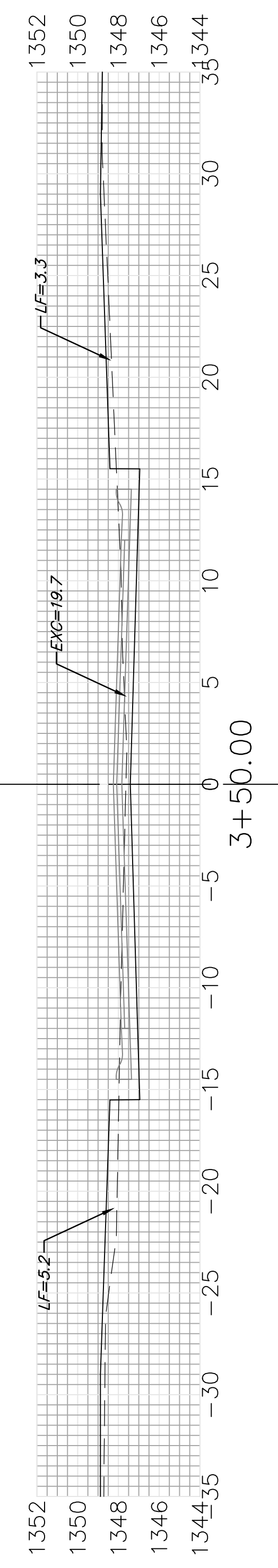
EXC = 47.0  
LF = 23.5  
CF = 0.0



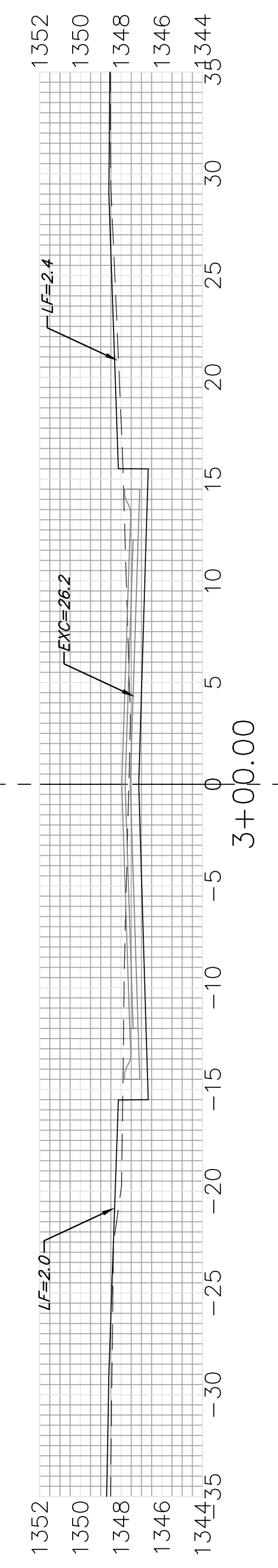
EXC = 33.6  
LF = 27.0  
CF = 0.0



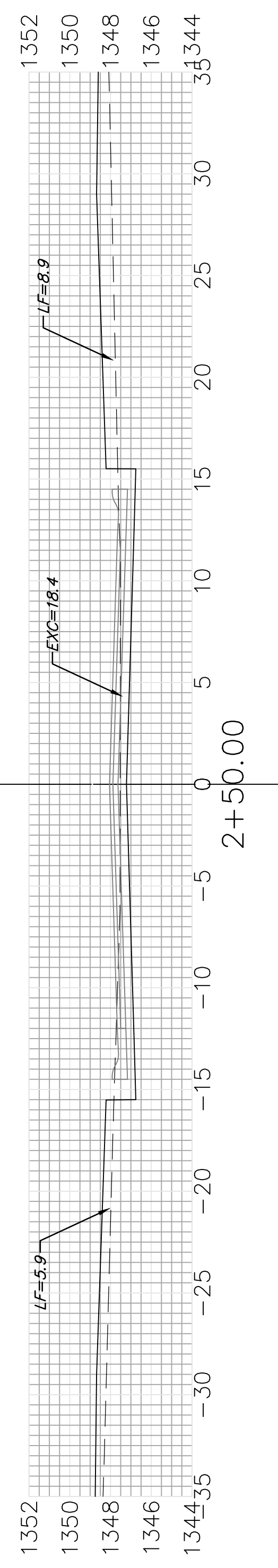
EXC = 33.0  
LF = 22.1  
CF = 0.0



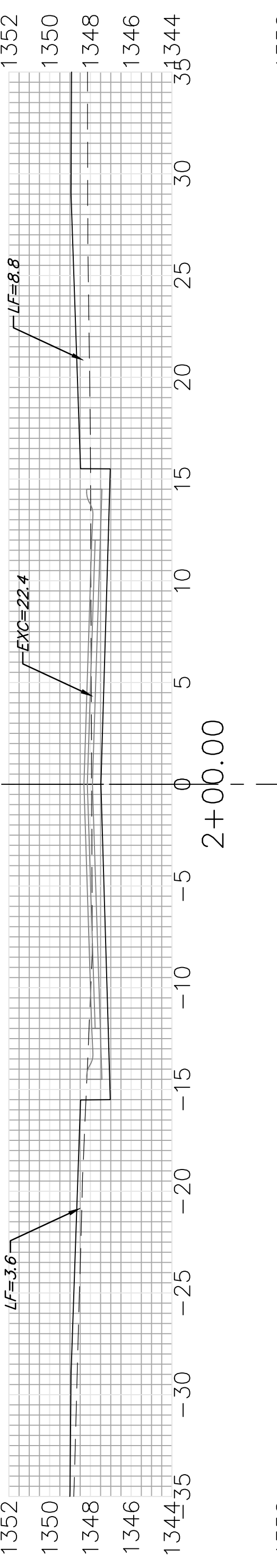
EXC = 42.5  
LF = 11.9  
CF = 0.0



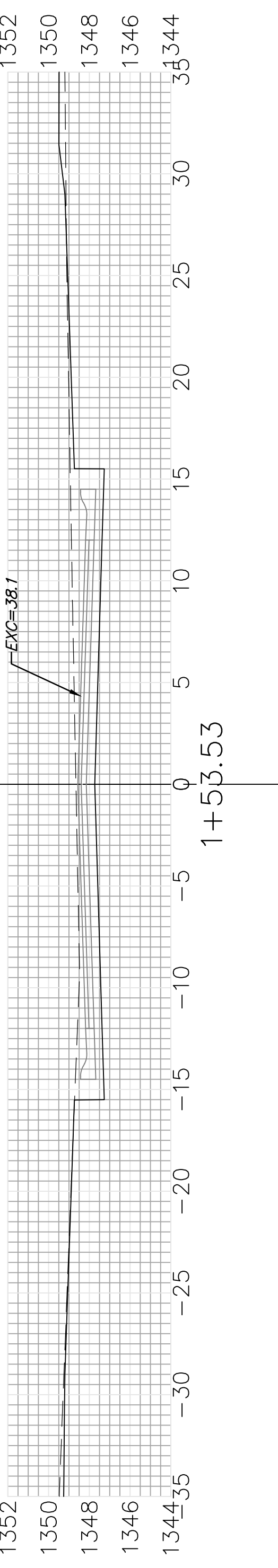
EXC = 41.3  
LF = 17.8  
CF = 0.0



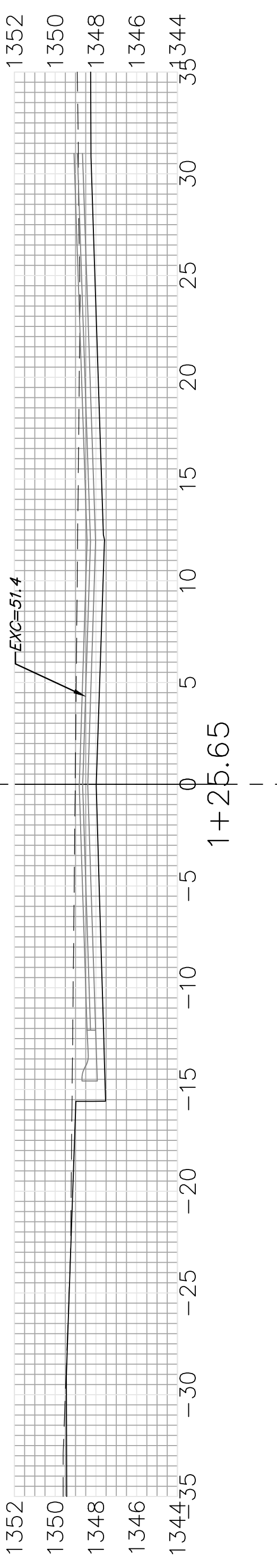
EXC = 37.8  
LF = 25.2  
CF = 0.0



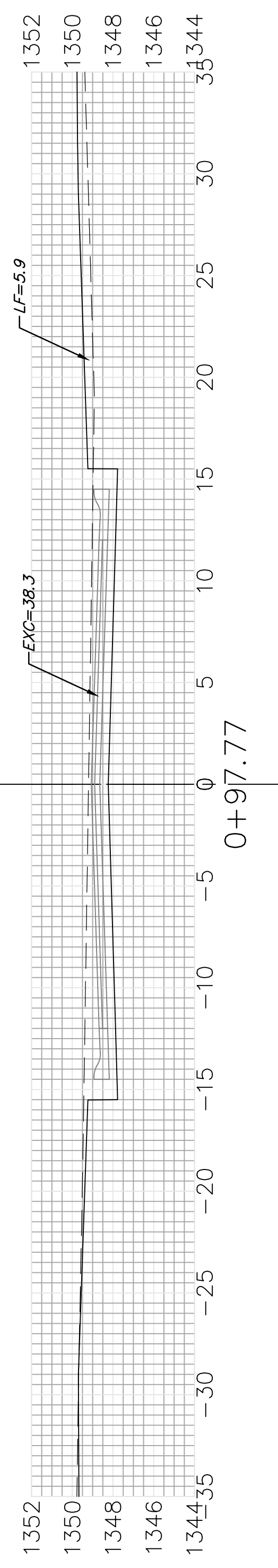
EXC = 52.1  
LF = 10.7  
CF = 0.0



EXC = 46.2  
LF = 0.0  
CF = 0.0



EXC = 46.3  
LF = 3.0  
CF = 0.0



MANTANE CIR.

Sheet Totals  
Excavation = 482.3 C.Y.  
Loose Fill = 184.8 C.Y.  
Compacted Fill = 0.0 C.Y.

Baughman logo and project information including company name, address, and sheet number 26 OF 31.