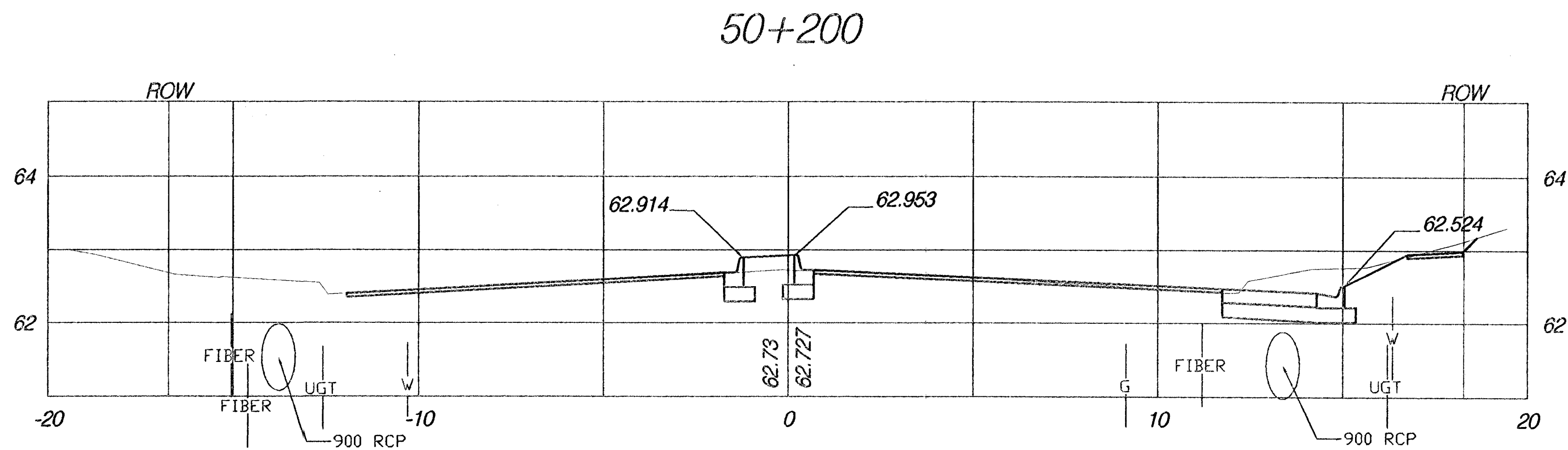
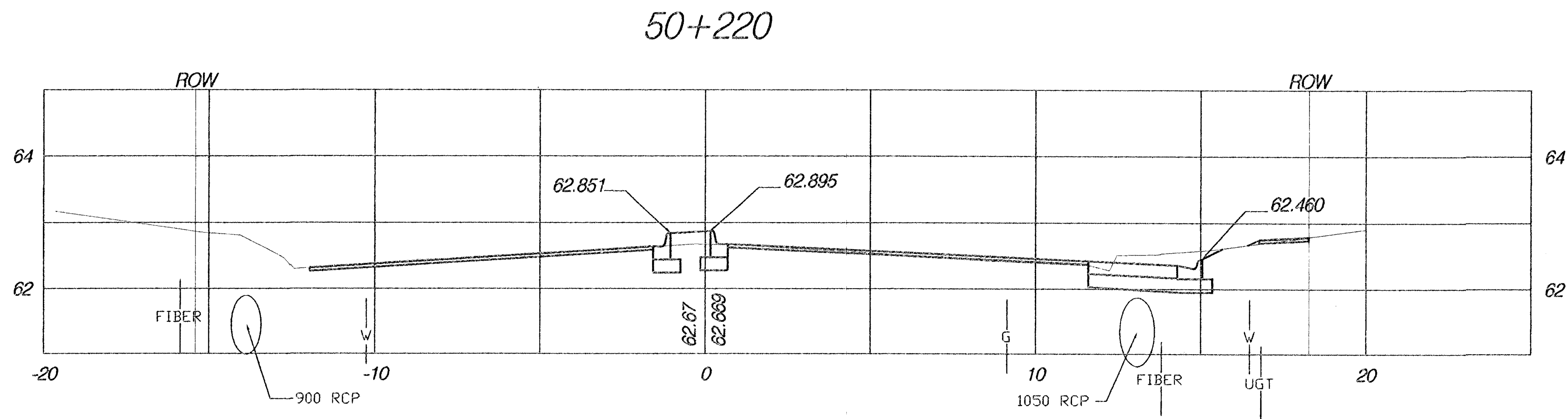
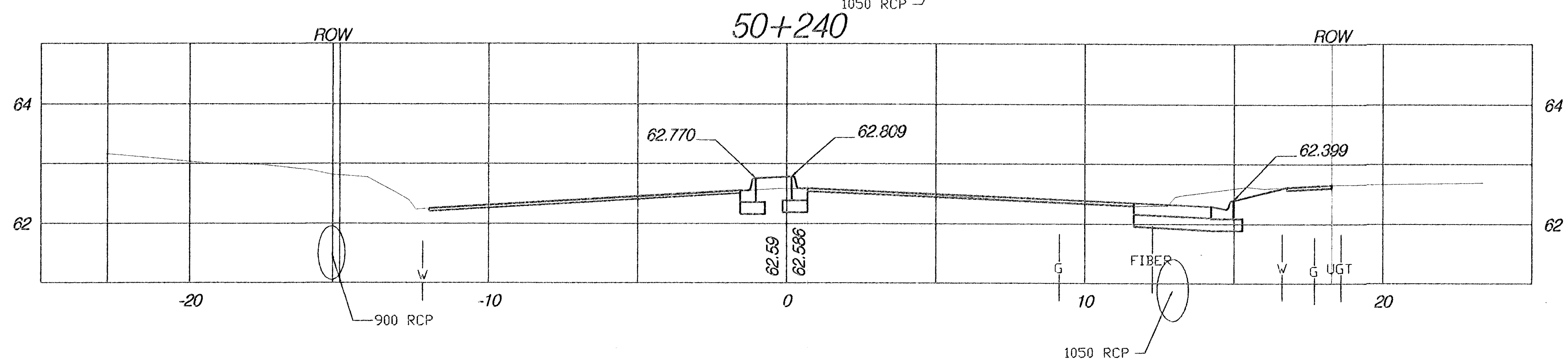
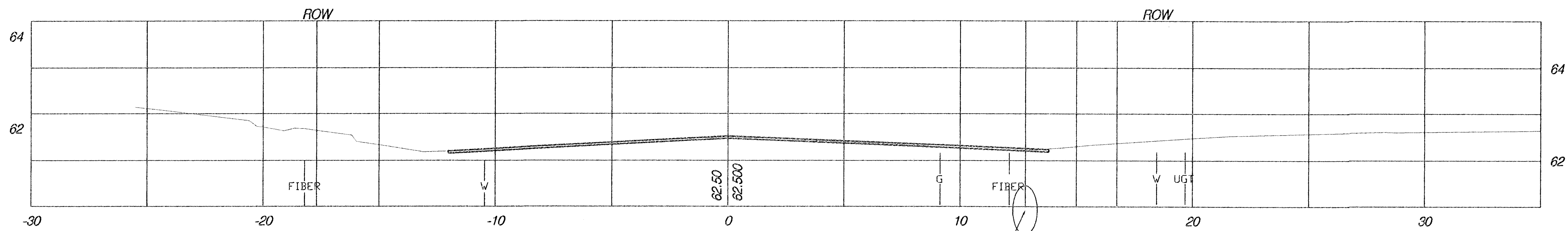


50+260

HORIZONTAL SCALE 1:100
VERTICAL SCALE 1:50

FHWA REG NO.	STATE	PROJECT NO.	YEAR	SHEET NO.	TOTAL SHEETS
7	KANSAS	87 N-0199-01	2002	157	158

FED. AID NO. - CMQ-N019(901)



**N 21st STREET
CROSS SECTIONS**

HWS Consulting Group Inc. Omaha Office
10844 Old Mill Rd., Ste. 1
Omaha, NE 68154
Phone: (402) 333-5792
Fax: (402) 333-2248

Designed By: BWE Checked By: RJK
Drawn By: HS Date: 03-25-2002 Job No. 55-70-2003