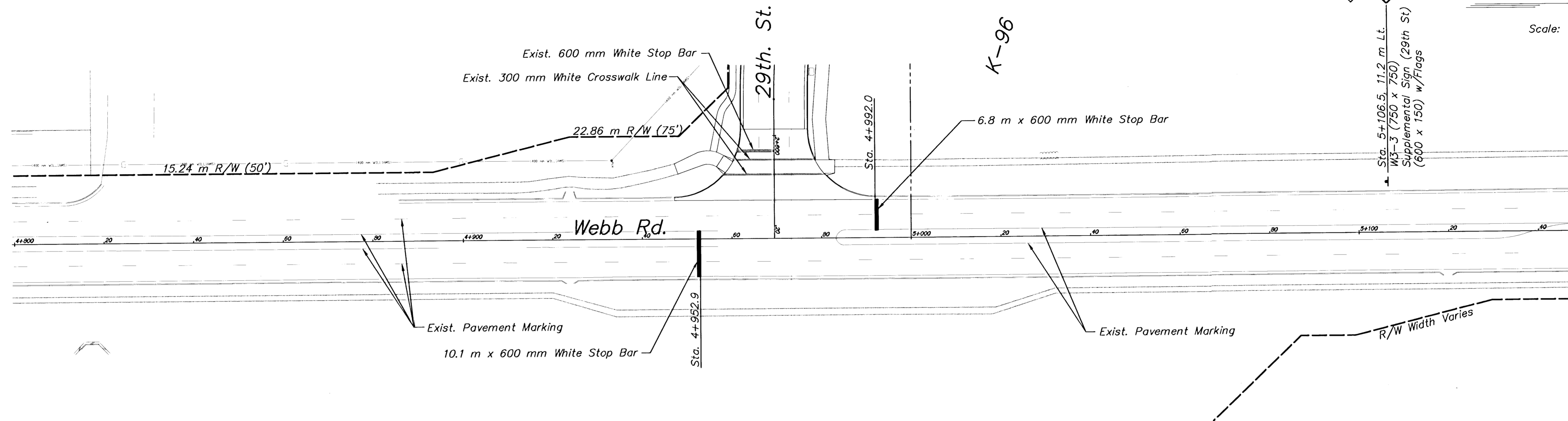


DATE	
BY	
REFERENCES NOTED	
REFERENCES CHECKED	

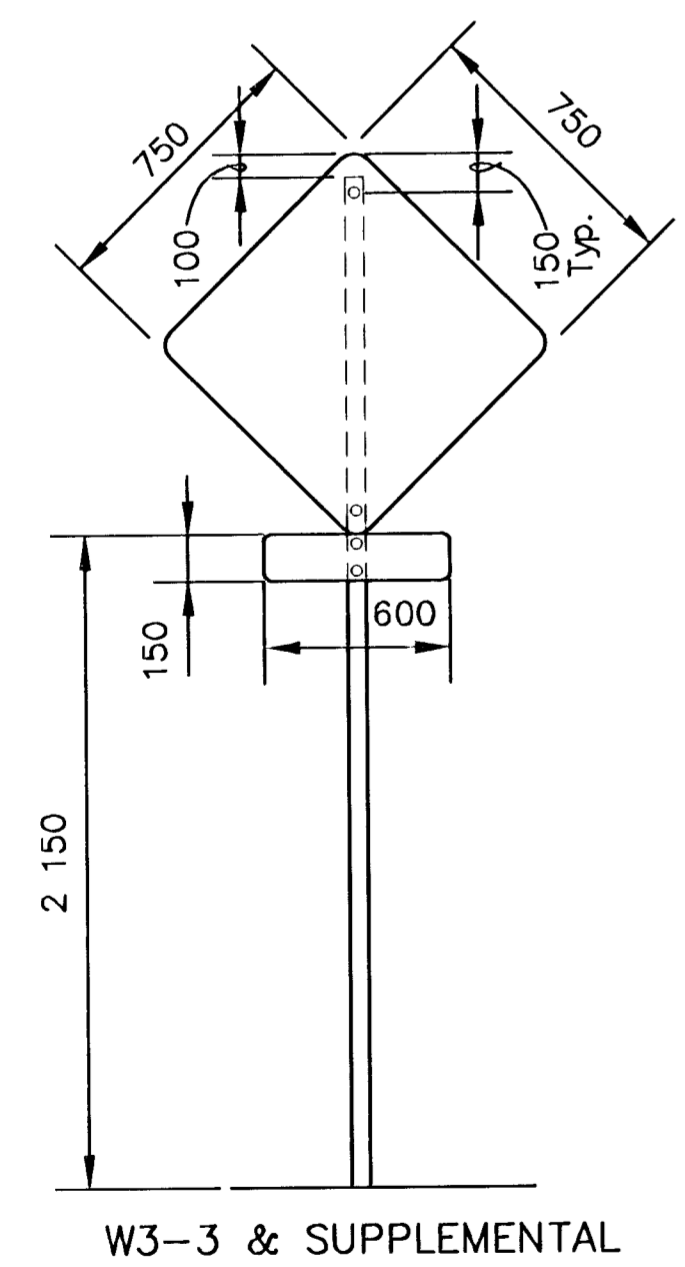


Note:
All pavement marking and signing required shall be installed by the Contractor with the cost *Subsidiary* to Traffic Signal Installation.

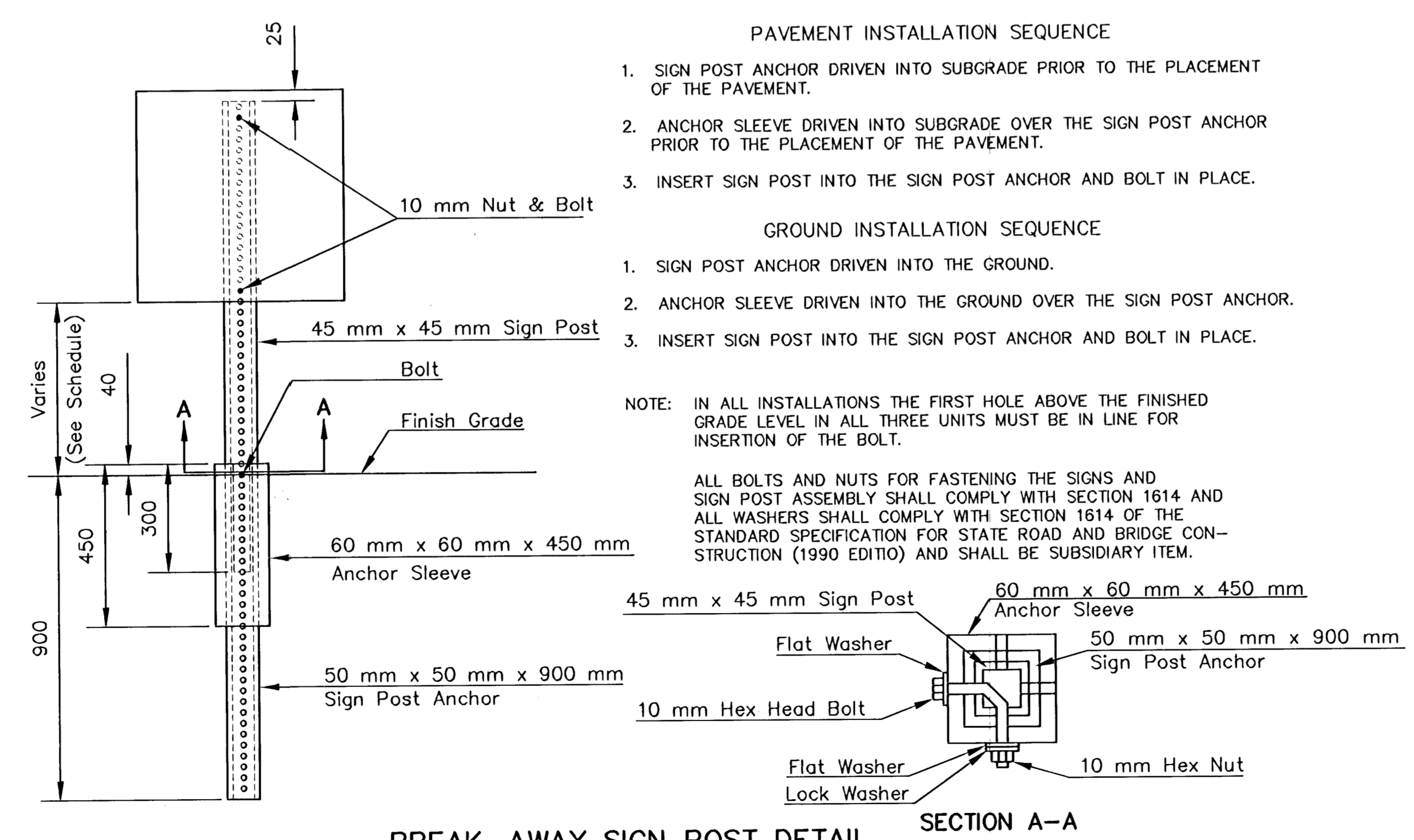
PAVEMENT MARKING QUANTITIES	
LOCATION	600 mm SOLID WHITE STOP LINE (m)
WEBB RD. & 29TH. STREET	16.9
TOTAL	16.9

SIGN DESCRIPTION			
CLASSIFICATION	TYPE	SIZE	AREA
W3-3	TRAFFIC SIGNAL	750 x 750	0.56 m ²
SUPPLEMENTAL	29th St	600 x 150	0.09 m ²

NOTE: ALL LETTER, NUMBER, & SYMBOL SIZES, SPACING, & COLORS AND THE SIGN COLORS SHALL CONFORM TO THE CURRENT "MANUAL ON UNIFORM TRAFFIC CONTROL DEVICES."
ALL SIGN MATERIAL TO BE 0.002 mm ALUMINUM.



SIGN MOUNTING DETAILS



BREAK-AWAY SIGN POST DETAIL SECTION A-A

- PAVEMENT INSTALLATION SEQUENCE
- SIGN POST ANCHOR DRIVEN INTO SUBGRADE PRIOR TO THE PLACEMENT OF THE PAVEMENT.
 - ANCHOR SLEEVE DRIVEN INTO SUBGRADE OVER THE SIGN POST ANCHOR PRIOR TO THE PLACEMENT OF THE PAVEMENT.
 - INSERT SIGN POST INTO THE SIGN POST ANCHOR AND BOLT IN PLACE.
- GROUND INSTALLATION SEQUENCE
- SIGN POST ANCHOR DRIVEN INTO THE GROUND.
 - ANCHOR SLEEVE DRIVEN INTO THE GROUND OVER THE SIGN POST ANCHOR.
 - INSERT SIGN POST INTO THE SIGN POST ANCHOR AND BOLT IN PLACE.

NOTE: IN ALL INSTALLATIONS THE FIRST HOLE ABOVE THE FINISHED GRADE LEVEL IN ALL THREE UNITS MUST BE IN LINE FOR INSERTION OF THE BOLT.

ALL BOLTS AND NUTS FOR FASTENING THE SIGNS AND SIGN POST ASSEMBLY SHALL COMPLY WITH SECTION 1614 AND ALL WASHERS SHALL COMPLY WITH SECTION 1614 OF THE STANDARD SPECIFICATION FOR STATE ROAD AND BRIDGE CONSTRUCTION (1990 EDITION) AND SHALL BE SUBSIDIARY ITEM.

MKEC
ENGINEERING CONSULTANTS
411 N. WEBB ROAD
WICHITA, KS. 67204
316-264-9000

WEBB ROAD @ 29TH. STREET
PROJECT NAME

PAVEMENT MARKING AND SIGNING PLAN
SHEET TITLE

ASH DESIGN BY: **WNJ** DRAWN BY: **GJA** CHECKED BY: **GJA**

Jan. 2003 DATE: **WEBBST1** JOB NO. **9 / 9** SHEET/OF