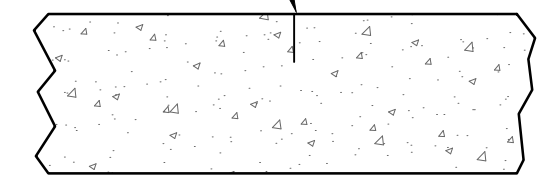
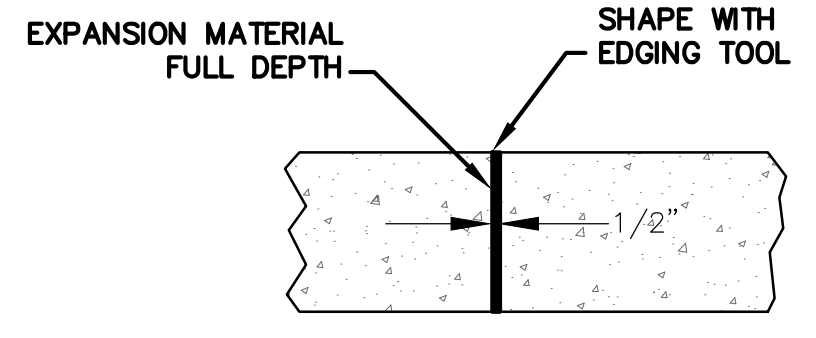


2" DEPTH KNIFE CUT  
SHAPE W/ "VEE" TOOL

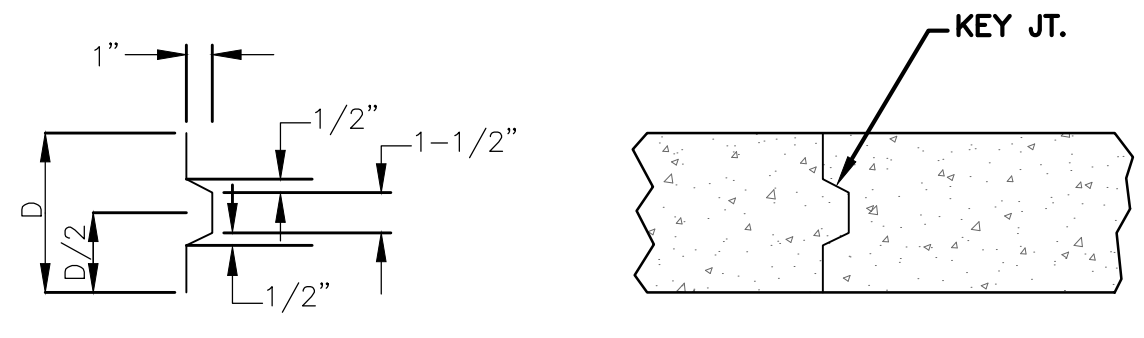


NO SAWN JOINTS  
WILL BE ALLOWED

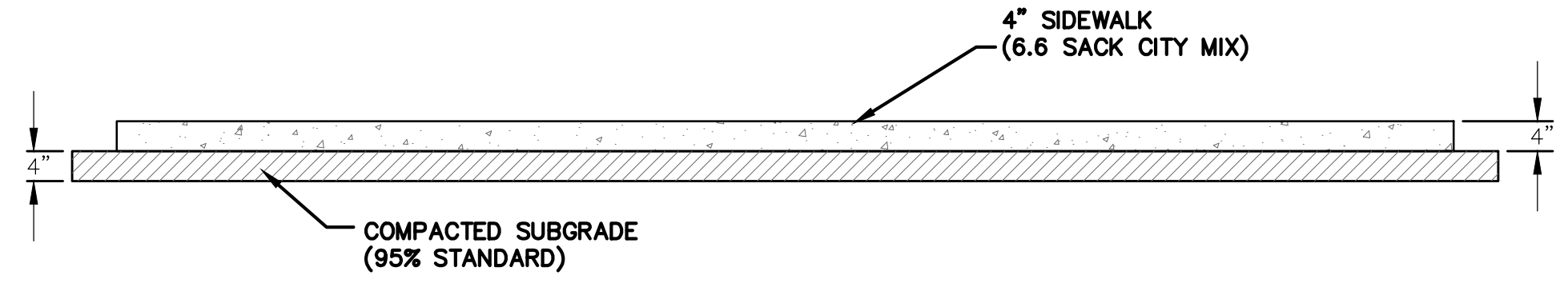
CONTRACTION JOINT (C.J.)  
OR LONGITUDINAL JOINT (L.J.)



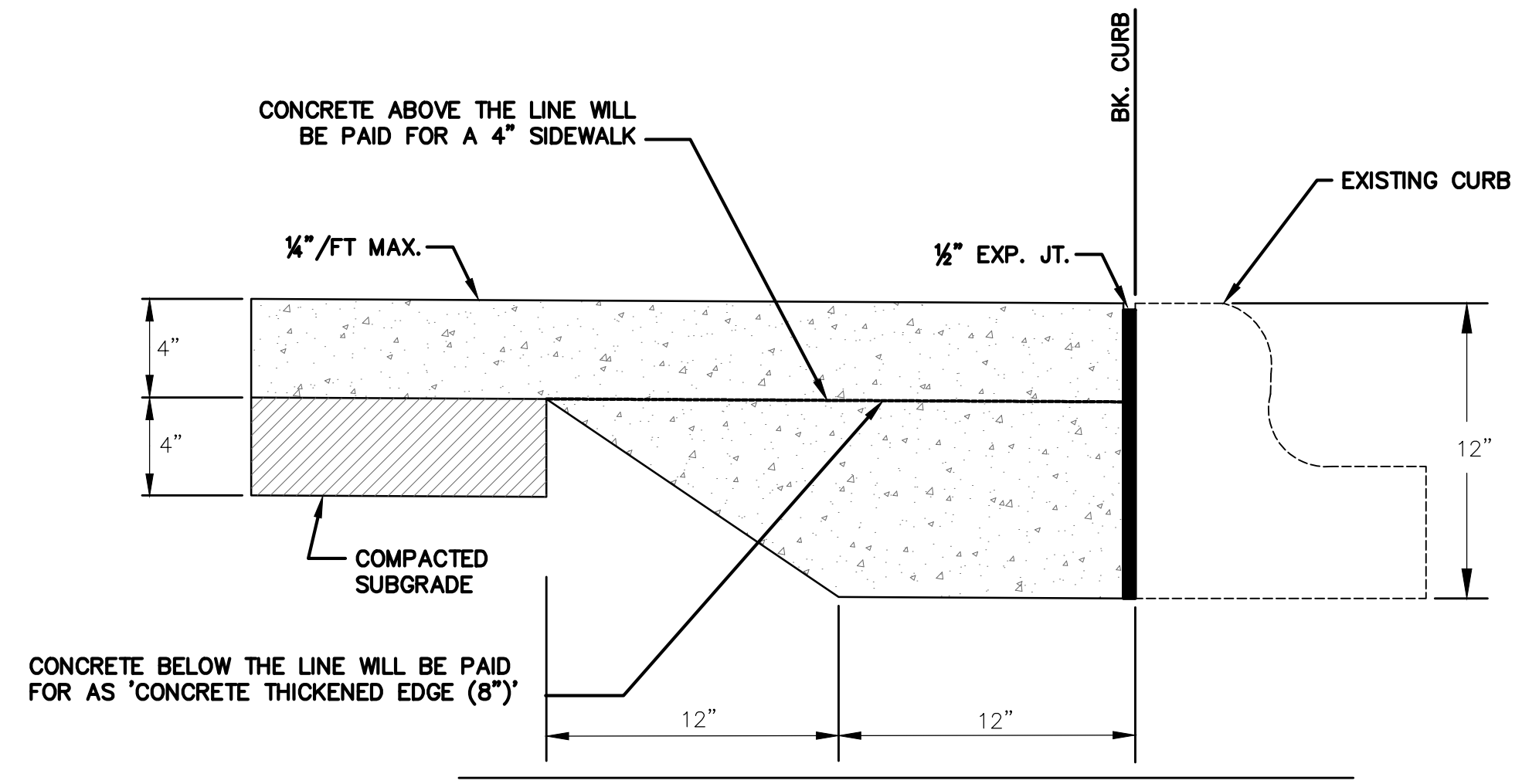
EXPANSION JOINT (E.J.)



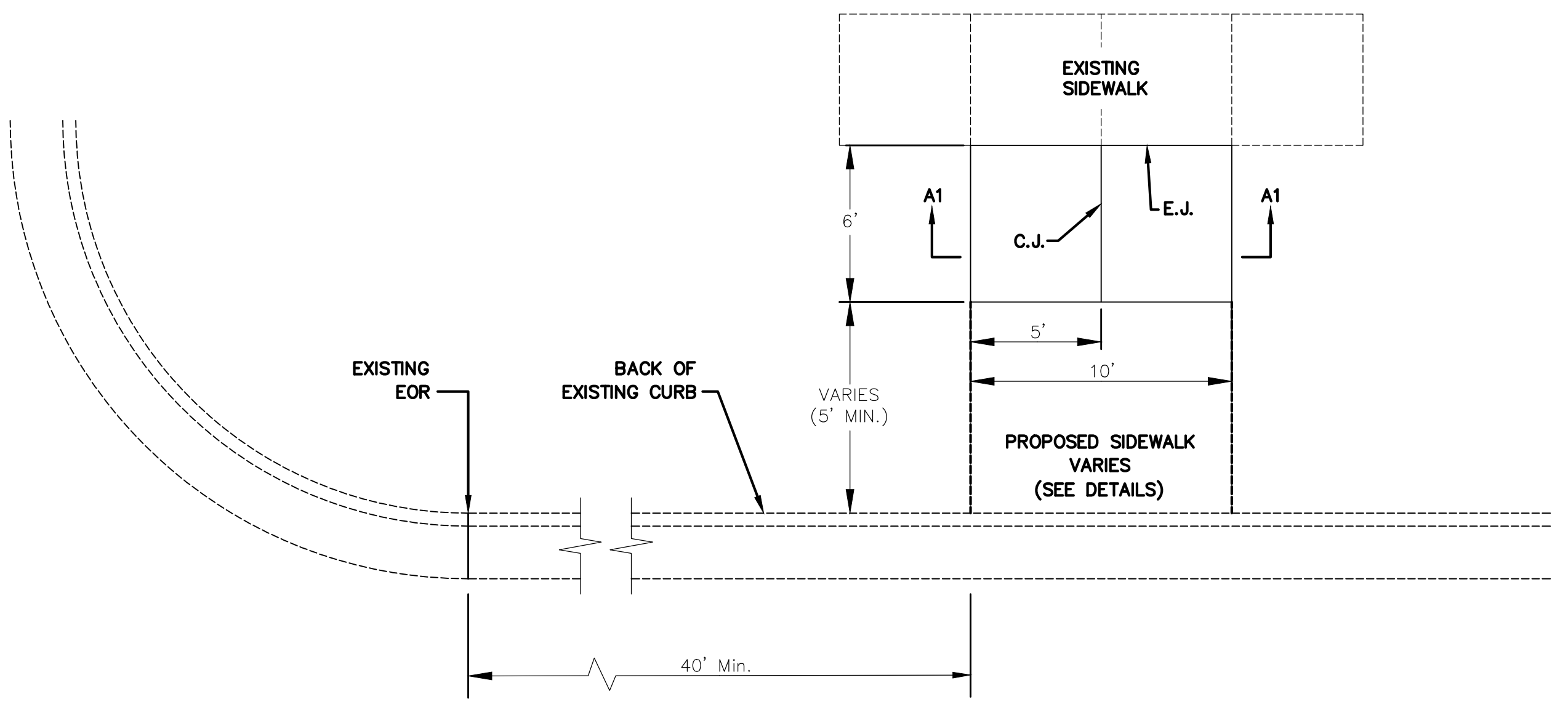
ALT. LONGITUDINAL CONSTRUCTION JOINT



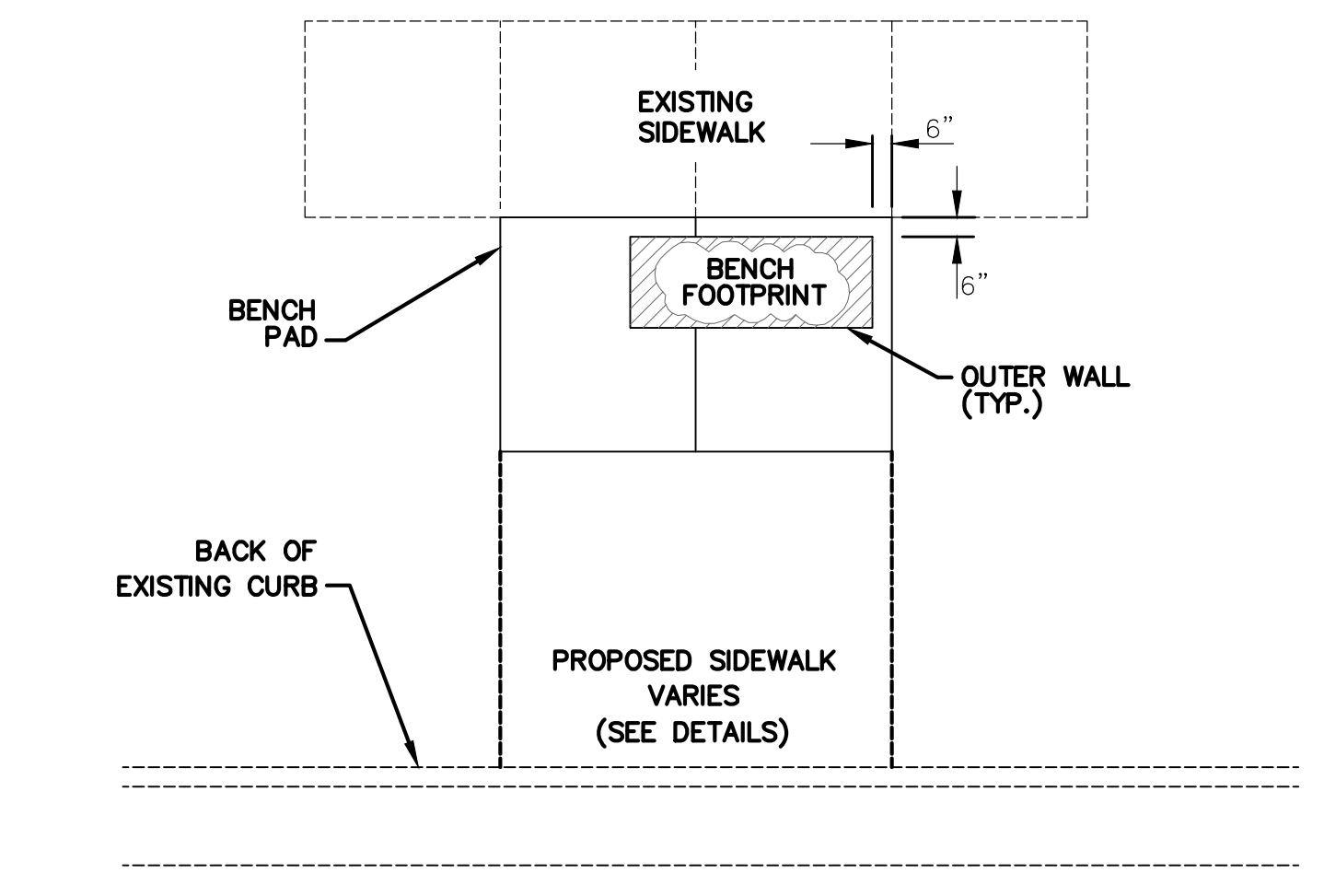
SECTION A1 - A1



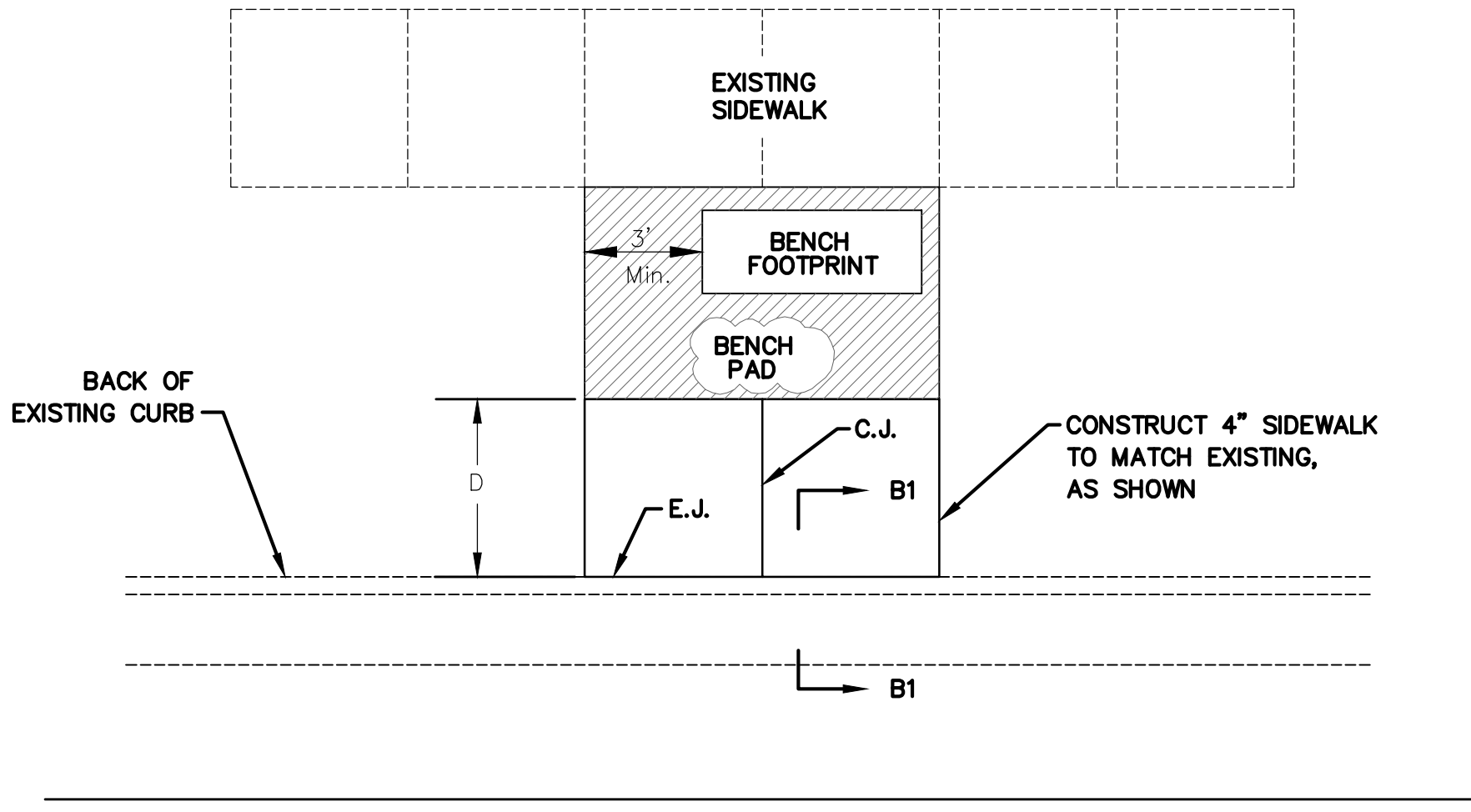
SECTION B1 - B1



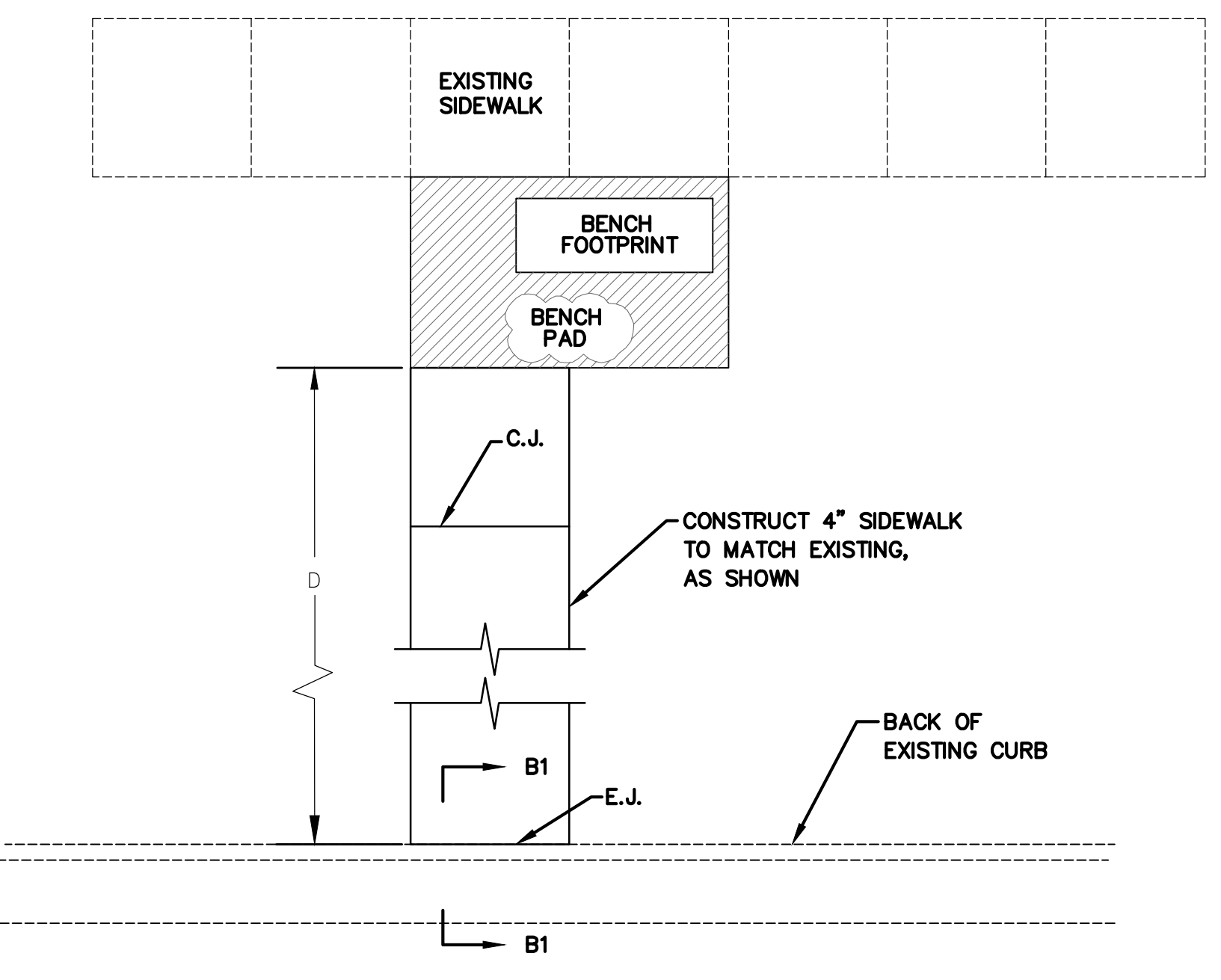
FREESTANDING BENCH PAD



BENCH LAYOUT



SIDEWALK CONSTRUCTION,  $D \leq 5'$



SIDEWALK CONSTRUCTION,  $D > 5'$

GENERAL NOTES

1. IN THE ABSENCE OF EXISTING SIDEWALK, THE MINIMUM 5' SET BACK DISTANCE SHALL BE MAINTAINED.
2. EXCEPT AS OTHERWISE NOTED, SIDEWALK SLOPE MUST NOT EXCEED 5%, IN THE DIRECTION OF TRAVEL, OR 2% PERPENDICULAR TO THE DIRECTION OF TRAVEL.
3. ALL SIDEWALK WITHIN 5' OF BACK-OF-CURB MUST BE CONSTRUCTED AS A LANDING AREA, WITH SLOPES NOT IN EXCESS OF 2% IN ANY DIRECTION.
4. ALL CONCRETE MUST MEET THE REQUIREMENTS OF THE 6.6 SACK CITY MIX.



<b>FREESTANDING BENCH STANDARD DETAILS</b>		
CITY ENGINEER <b>GARY JANZEN, P.E.</b>		
PROJECT NUMBER	OCA NUMBER	DATE
CITY ENGINEER'S OFFICE CITY HALL - SEVENTH FLOOR 455 NORTH MAIN STREET WICHITA, KANSAS 67202-1620 (316) 268-4501		SHEET <b>13</b> of <b>110</b>