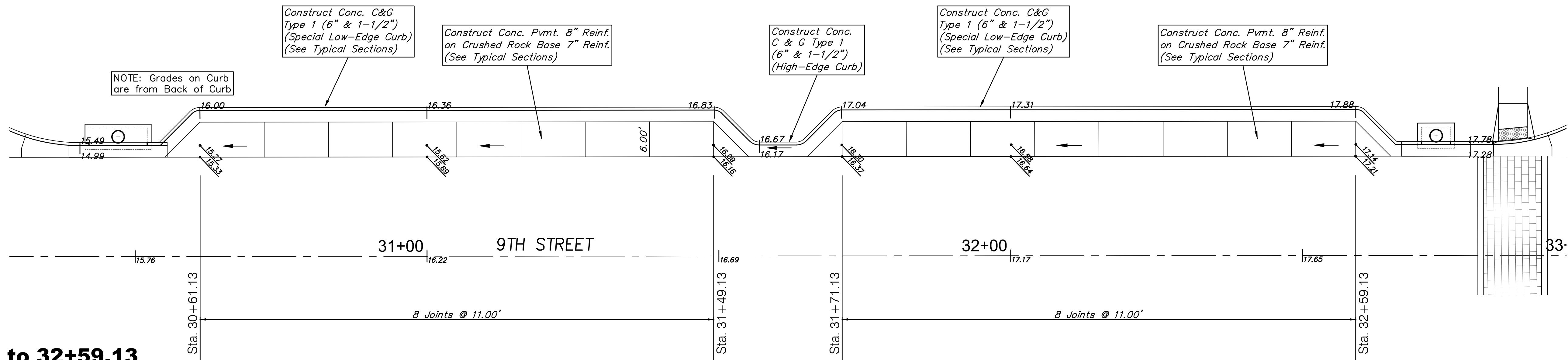
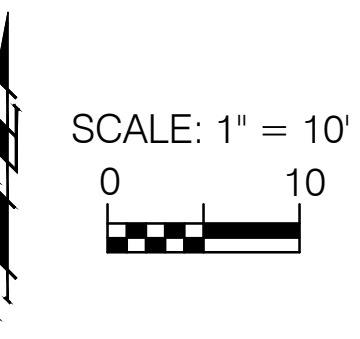
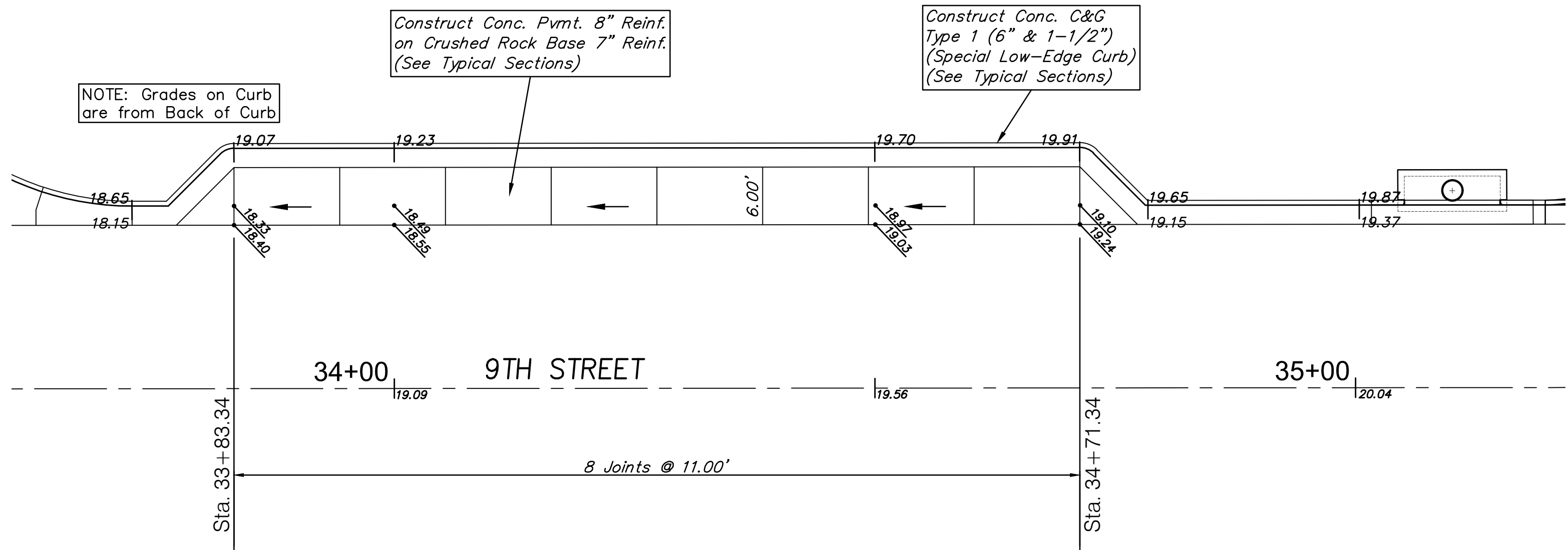
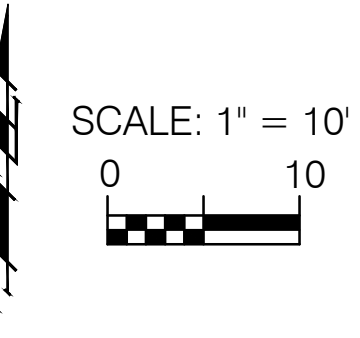


STA. 13+92.00 to 16+12.00
1"=10'



STA. 30+61.13 to 32+59.13
1"=10'



STA. 33+83.34 to 34+71.34
1"=10'

