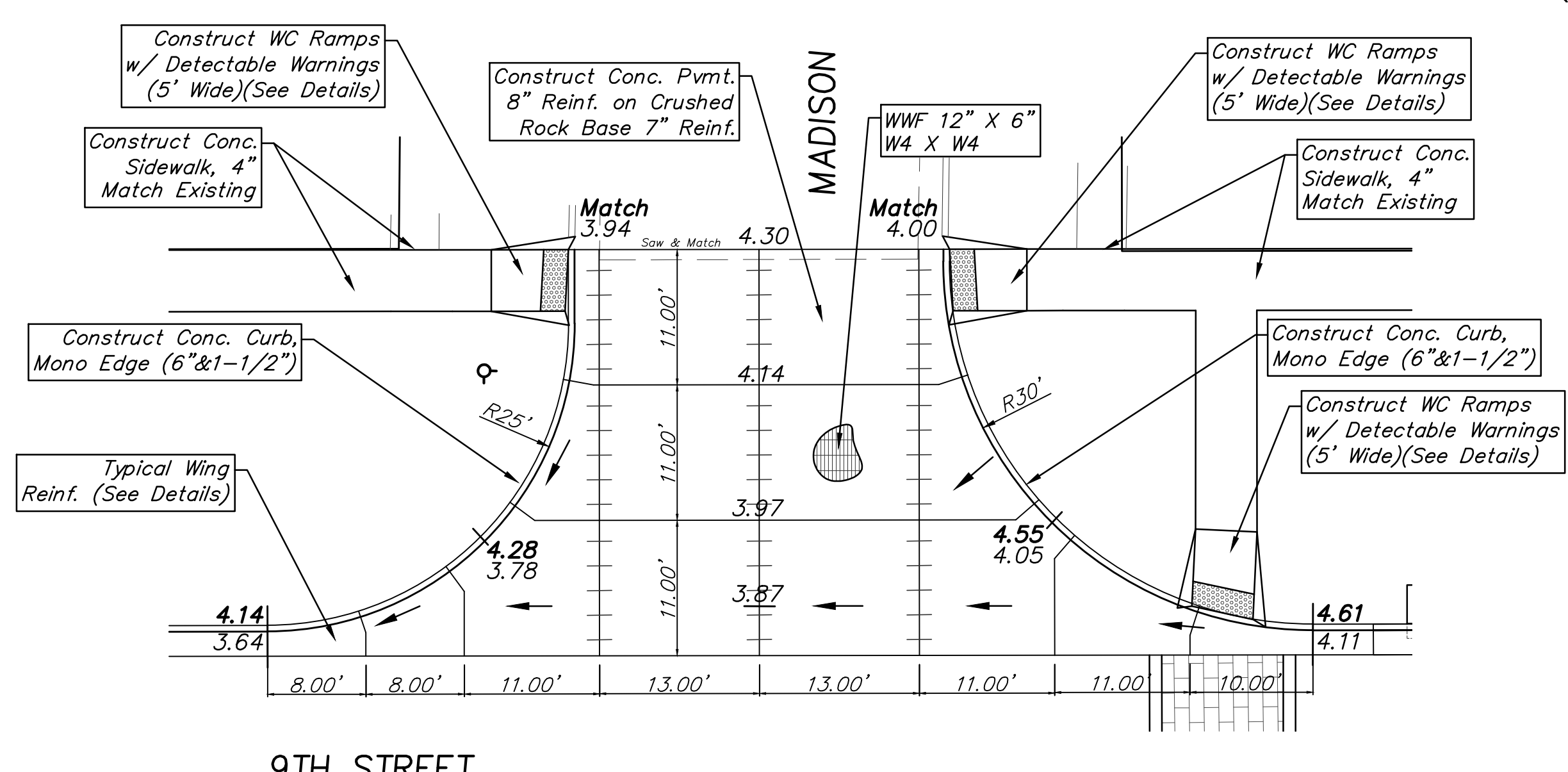
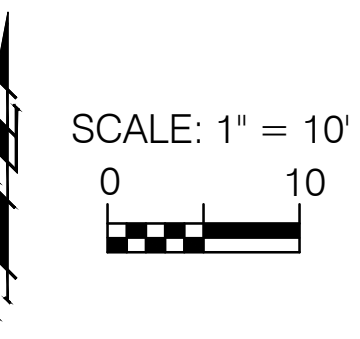


9TH STREET

ASH (NORTH)
1"=10'

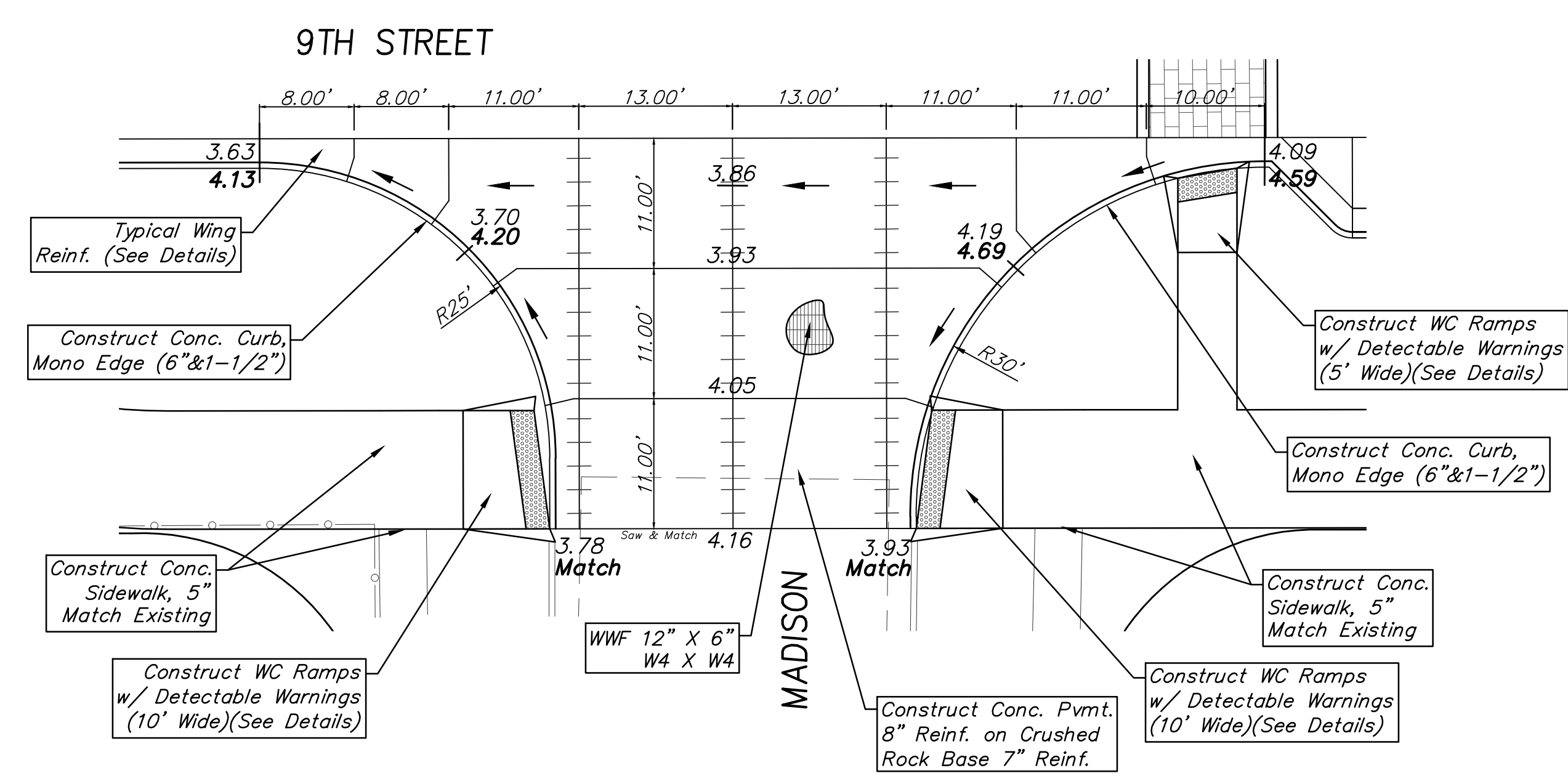
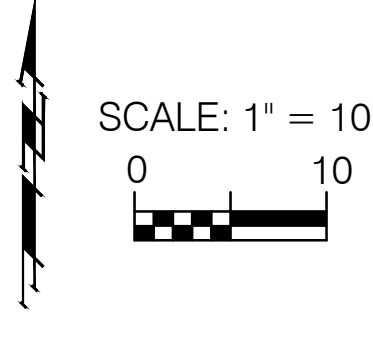
NOTE: Elevations are Based on 13____ (Nav 88)



9TH STREET

MADISON (NORTH)
1"=10'

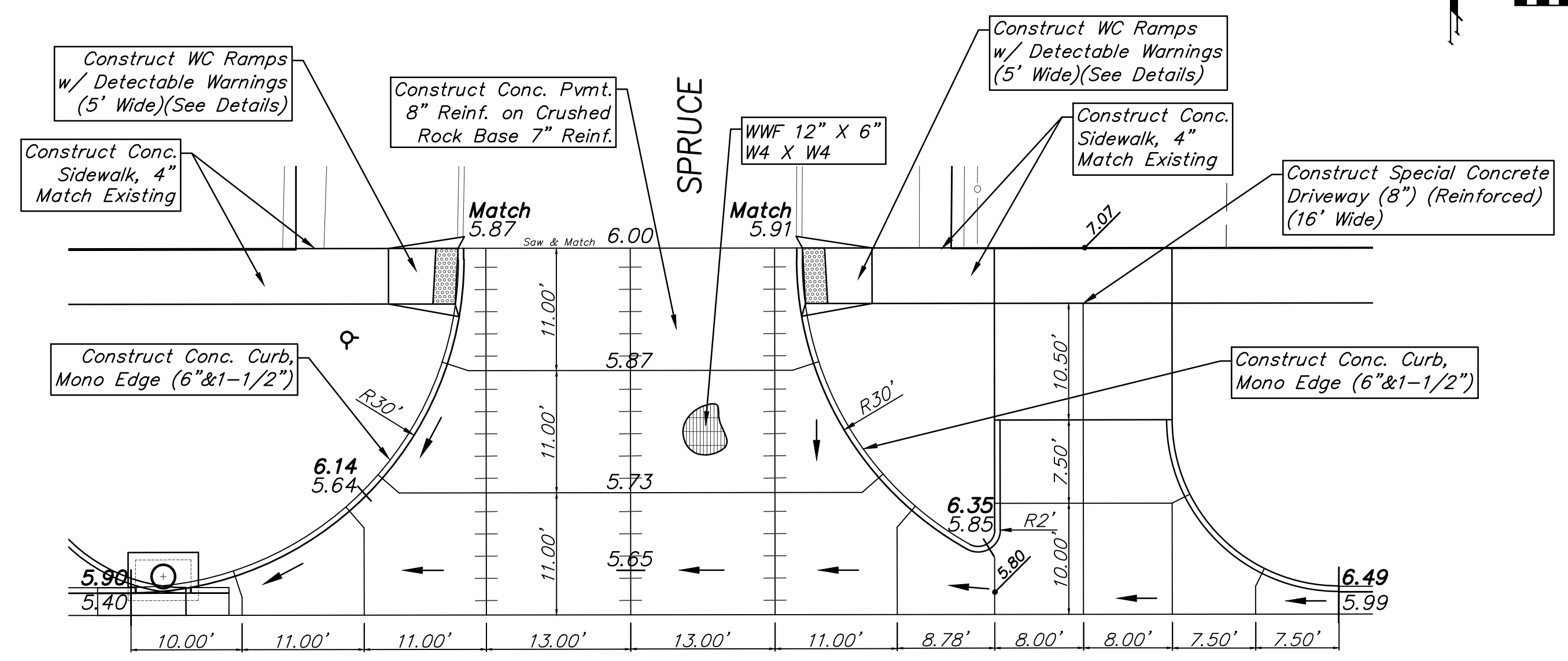
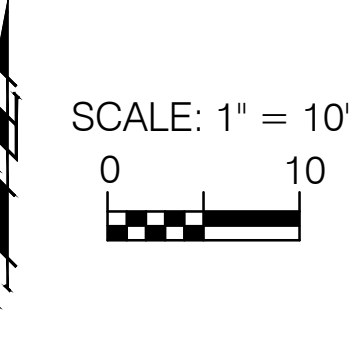
NOTE: Elevations are Based on 13____ (Nav 88)



9TH STREET

MADISON (SOUTH)
1"=10'

NOTE: Elevations are Based on 13____ (Nav 88)



9TH STREET

SPRUCE (NORTH)
1"=10'

NOTE: Elevations are Based on 13____ (Nav 88)