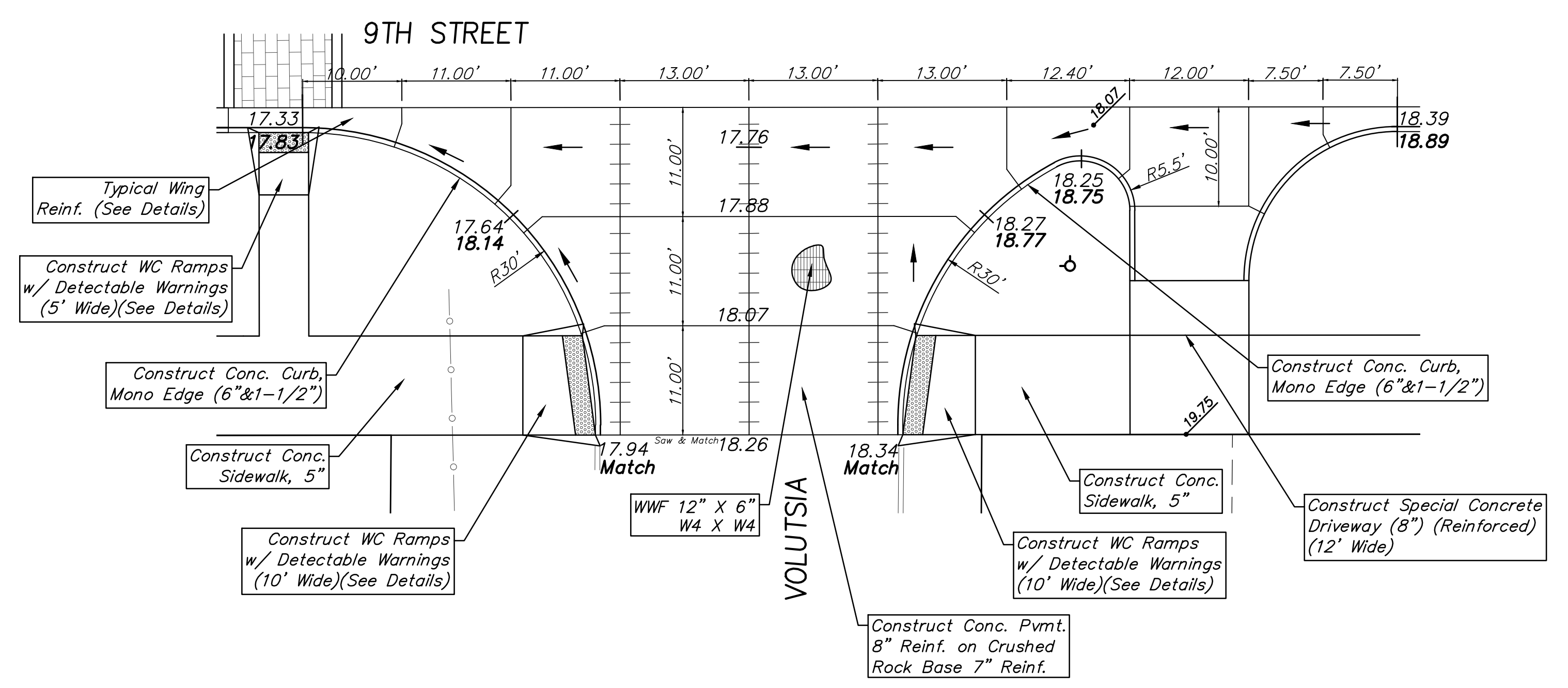
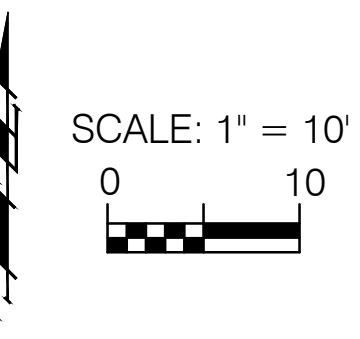


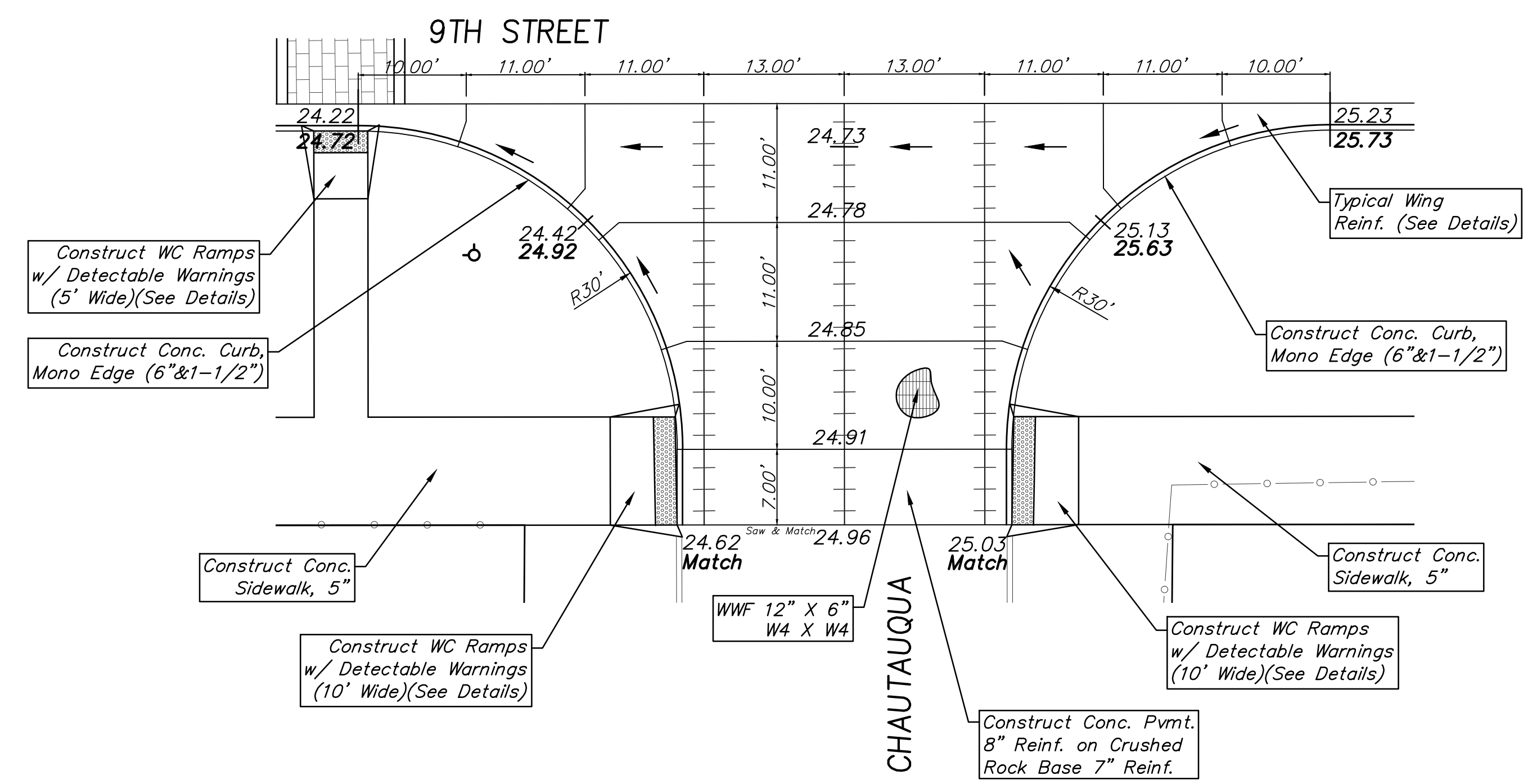
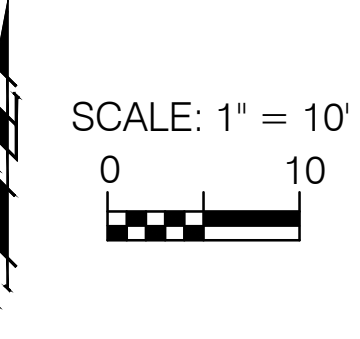
VOLUTSIA (NORTH)
1"=10'

NOTE: Elevations are Based on 13____ (Nav 88)



VOLUTSIA (SOUTH)
1"=10'

NOTE: Elevations are Based on 13____ (Nav 88)



CHAUTAUQUA (SOUTH)
1"=10'

NOTE: Elevations are Based on 13____ (Nav 88)