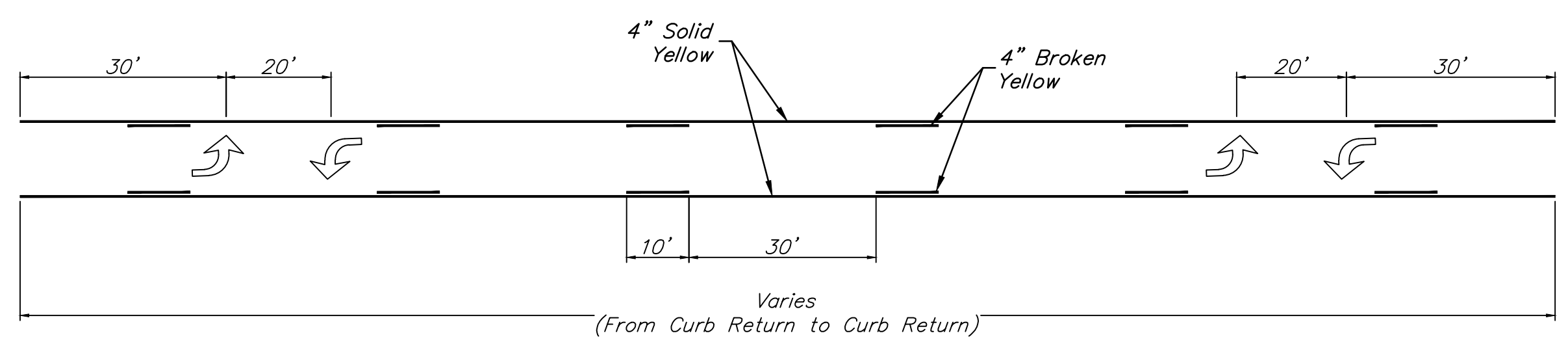
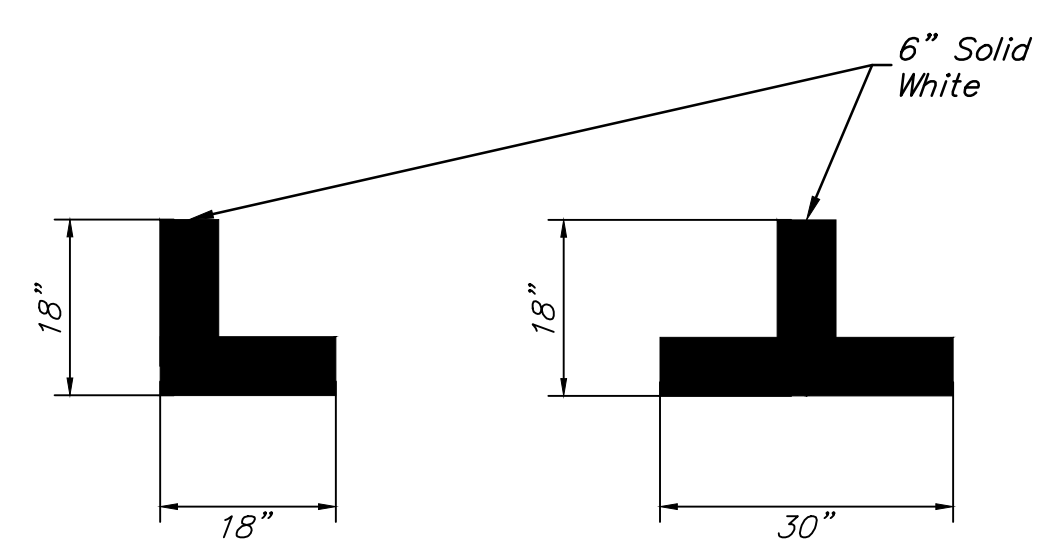


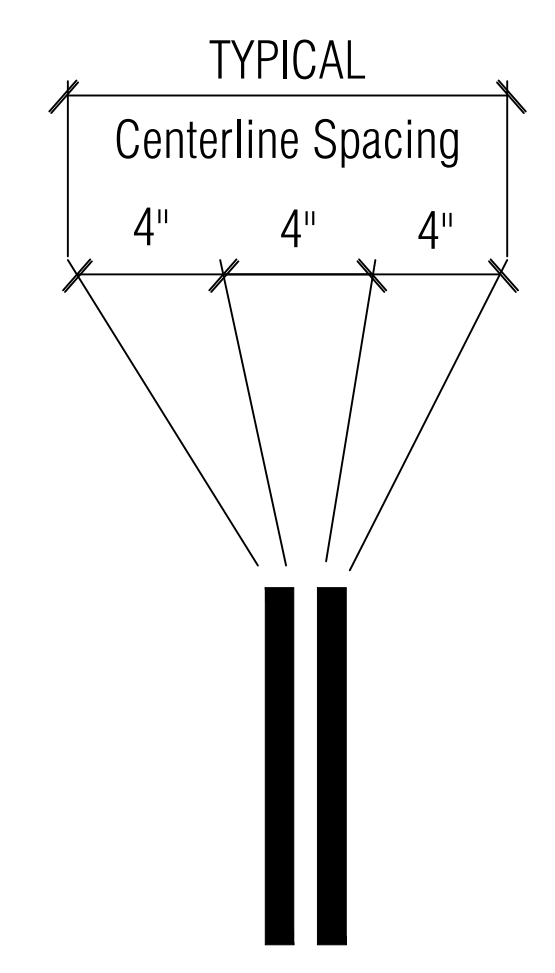
9TH STREET
STA. 41+00.00 to 46+00.00
1"=30'



MIDDLE LEFT TURN LANE DETAIL
1"=20'



PARKING MARKERS DETAIL



4\"/>

TOTAL BILL OF MATERIALS*		
ITEMS	UNITS	TOTAL
PAVEMENT MARKING (6" WHITE)	LF	450
PAVEMENT MARKING (24" WHITE)	LF	125
PAVEMENT MARKING (4" YELLOW)	LF	9,250
PAVEMENT MARKING (12" YELLOW)	LF	150
PAVEMENT MARKING, TURN ARROW (LT) (WHITE)	EA	39

*FOR INFORMATION ONLY (Contractor to Bid as needed)