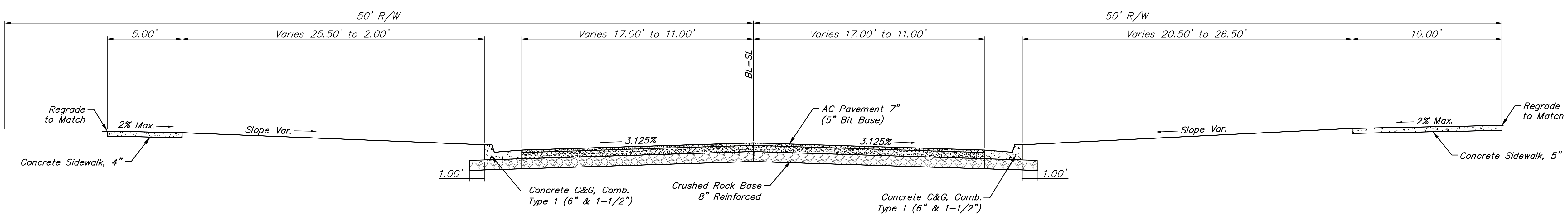


9TH STREET
STA. 30+00.00 to 34+80.00

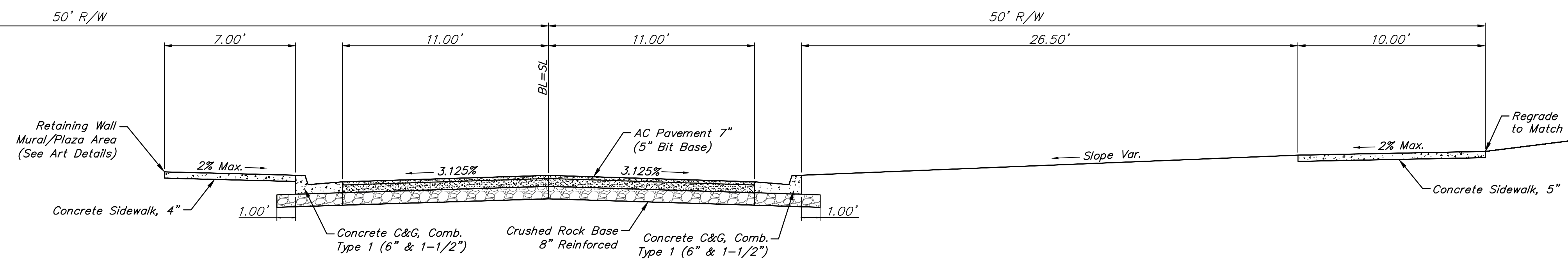
1"=4'



9TH STREET
STA. 34+80.00 to 36+74.50

1"=4'

NOTE: See Paving Plan for Taper Lengths & Stations



9TH STREET
STA. 36+74.50 to 43+81.88

1"=4'