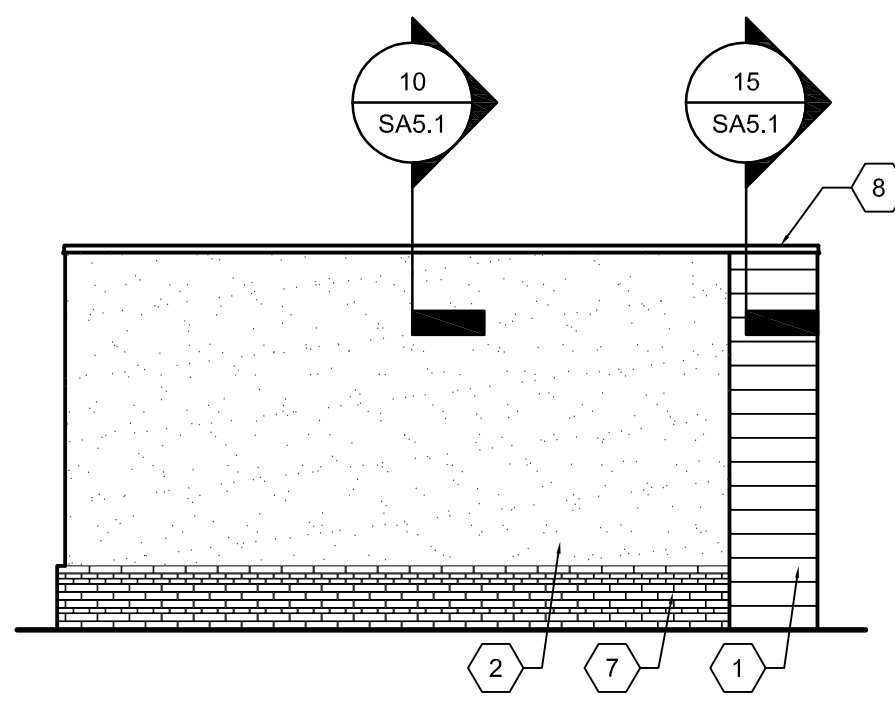
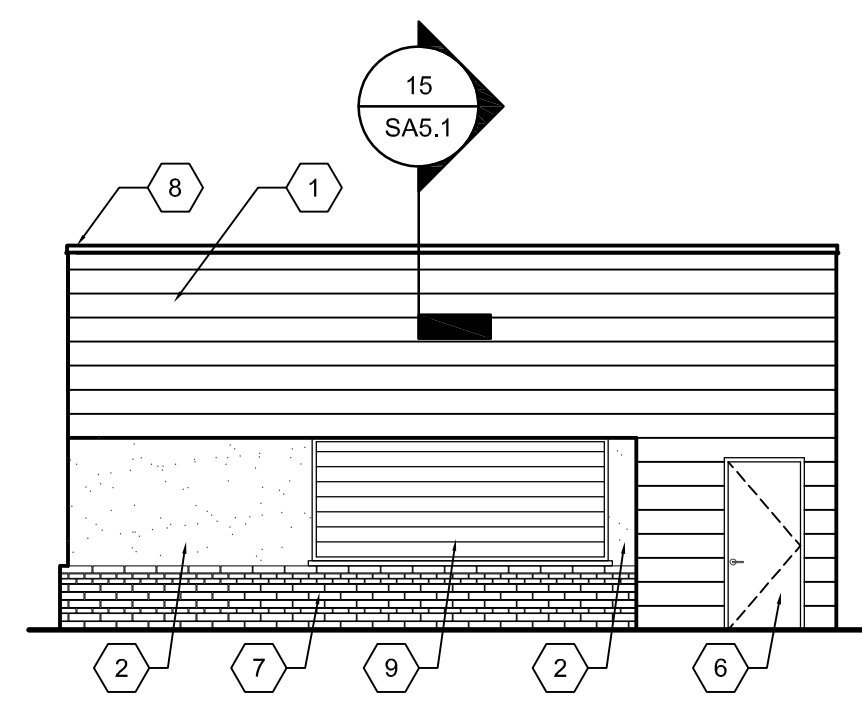


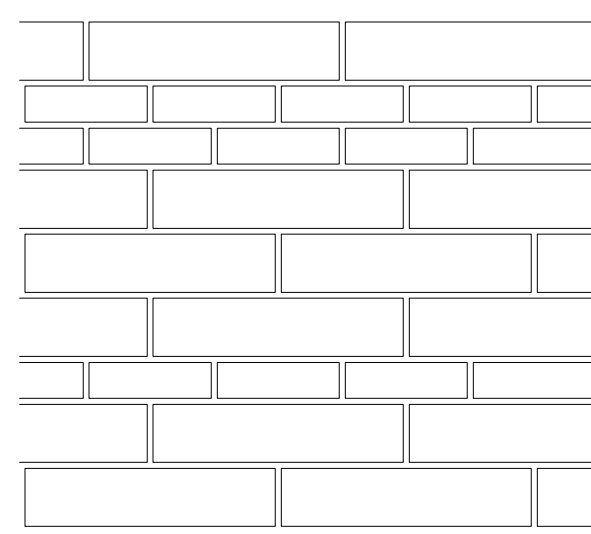
NOTED: WINDOW CASES TO BE 1/8" SCALE. SEE DRAWING 1701010567 FOR WINDOW CASES. SEE DRAWING 1701010567 FOR WINDOW CASES.



A WEST ELEVATION

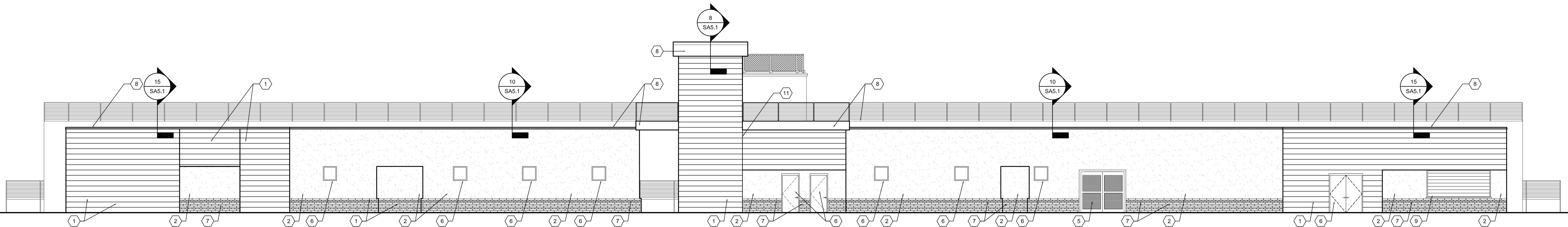


B EAST ELEVATION

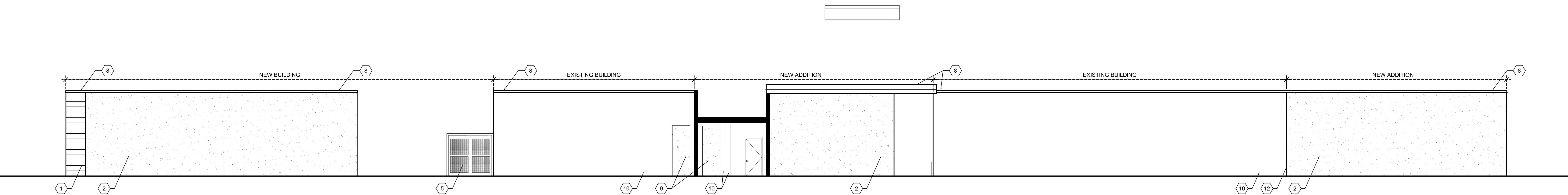


1 BRICK PATTERN

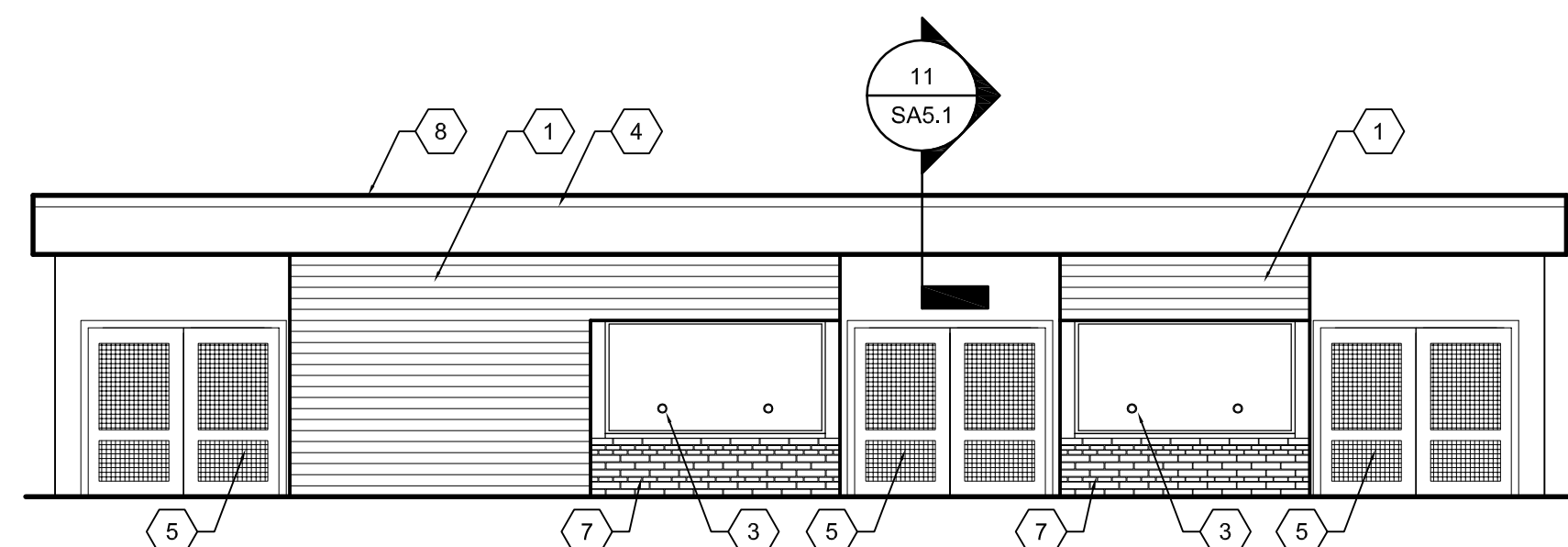
BUILDING ELEVATION KEYNOTES	
1.	PRE-FINISHED SINGLE SKIN STEEL WALL PANEL WITH CONCEALED FASTENERS AND STAND-OFF CLIPS.
2.	TWO COAT PORTLAND CEMENT STUCCO WITH AN ACRYLIC FINISH COAT OVER CMU'S.
3.	ANODIZED ALUMINUM TRANSACTION TICKET WINDOW.
4.	FULLY ADHERED TPO MEMBRANE ON COVER BOARD ON TAPERED INSULATION
5.	POWDER COATED STEEL GATES
6.	WINDOWS/DOORS PER SCHEDULE
7.	MASONRY FACE BRICK
8.	PRE-FINISHED STEEL COPING CAP
9.	ROLLING COUNTER SHUTTER
10.	C.J.
11.	EXPANSION JOINT
12.	



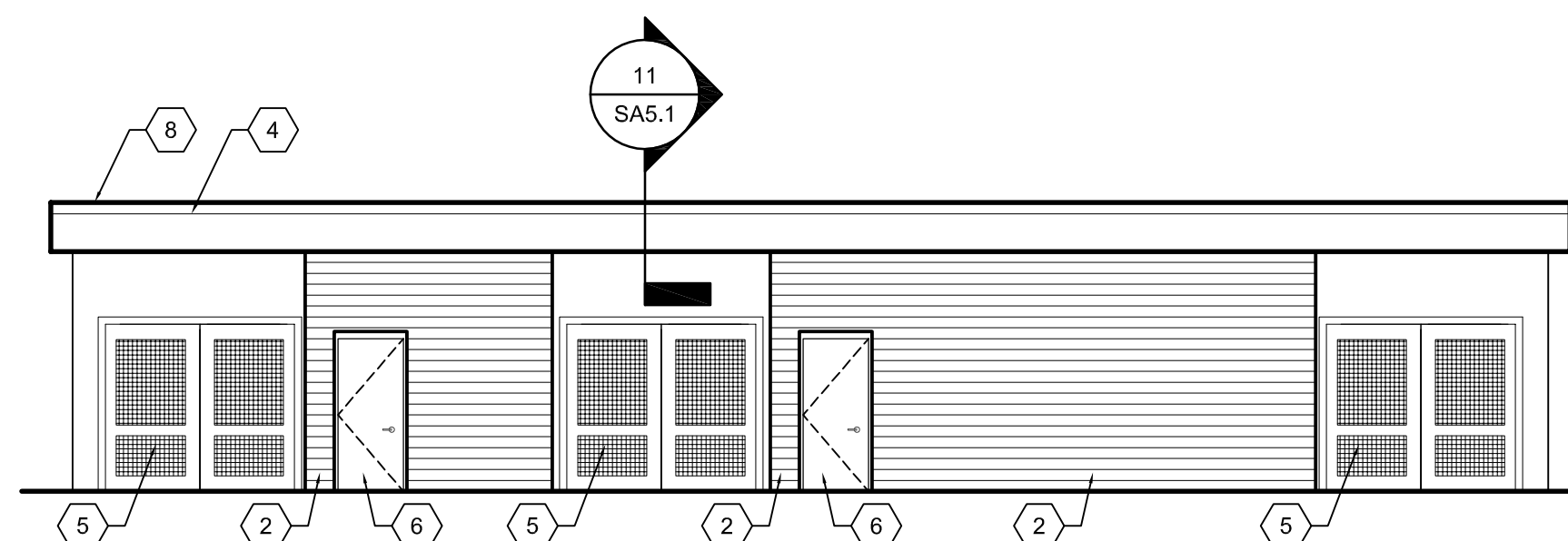
C NORTH ELEVATION



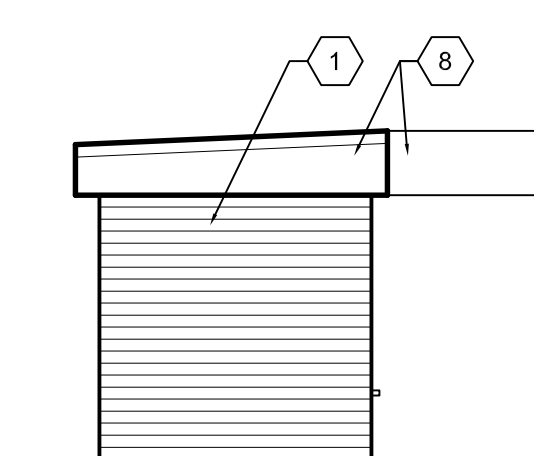
D SOUTH ELEVATION



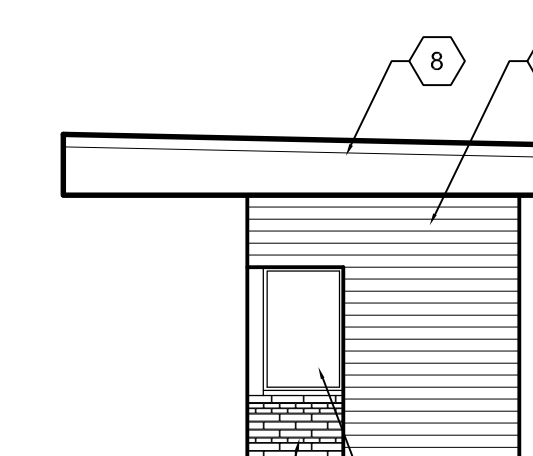
E TICKET BOOTH NORTH ELEVATION



F TICKET BOOTH SOUTH ELEVATION



G TICKET BOOTH EAST ELEVATION



H TICKET BOOTH WEST ELEVATION



INDOOR FACILITY & STADIUM IMPROVEMENTS
STRYKER SPORTS
WICHITA, KANSAS



©2018
MKEC Engineering
All Rights Reserved
www.mkec.com
These drawings and their contents, including but not limited to, all concepts, designs, & ideas are the exclusive property of MKEC Engineering (MKEC), and may not be used or reproduced in any way without the express consent of MKEC.

EXTERIOR ELEVATIONS

PROJECT NO.	1701010567	
DATE	03/07/18	
SCALE	1/8"=1'-0"	
DESIGNED	DRAWN	CHECKED
SLC	SLC	MFC

ISSUED FOR CONSTRUCTION	03-07-18	
NO.	REVISION	DATE

SHEET NO.
SA3.1

