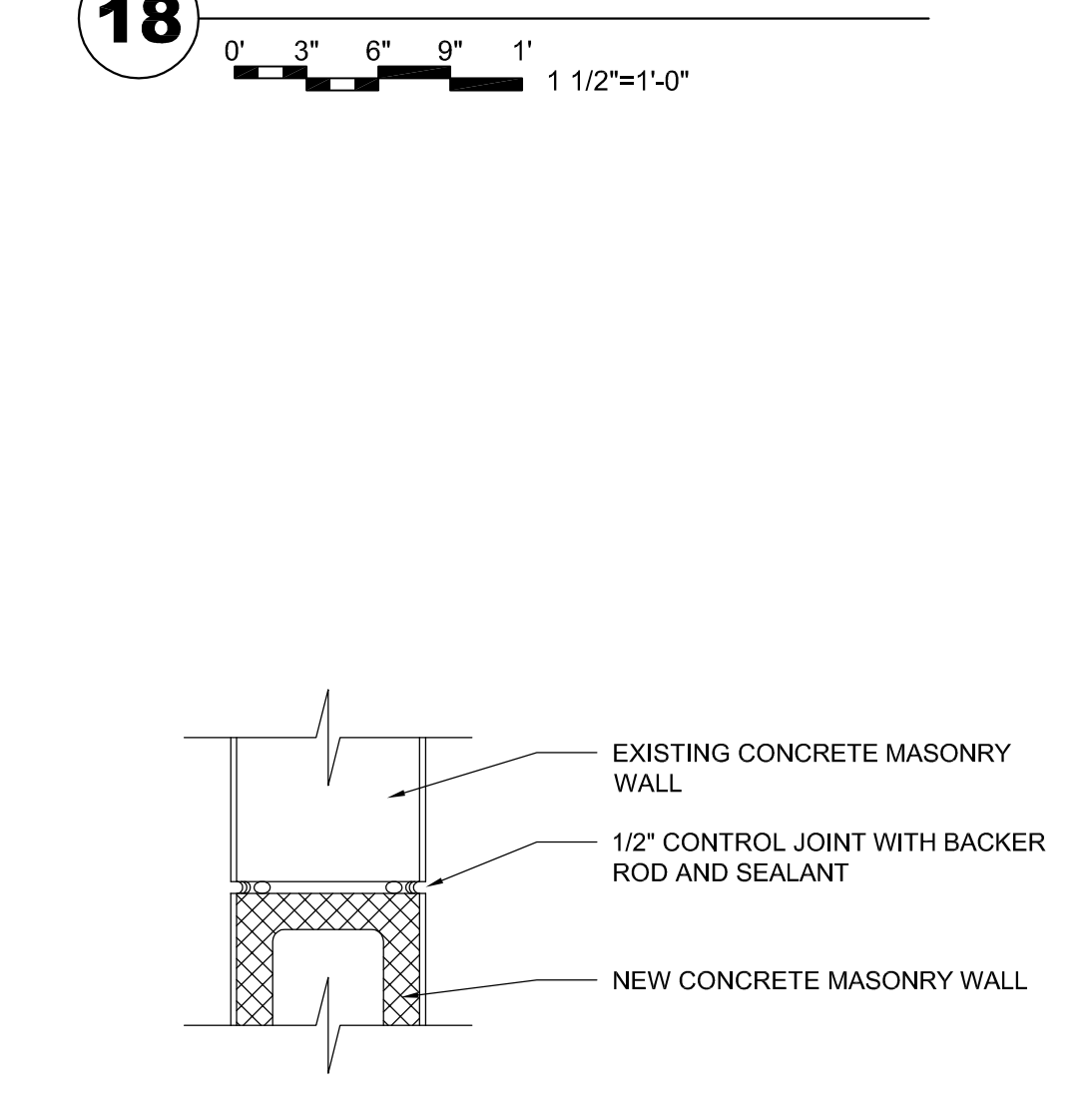
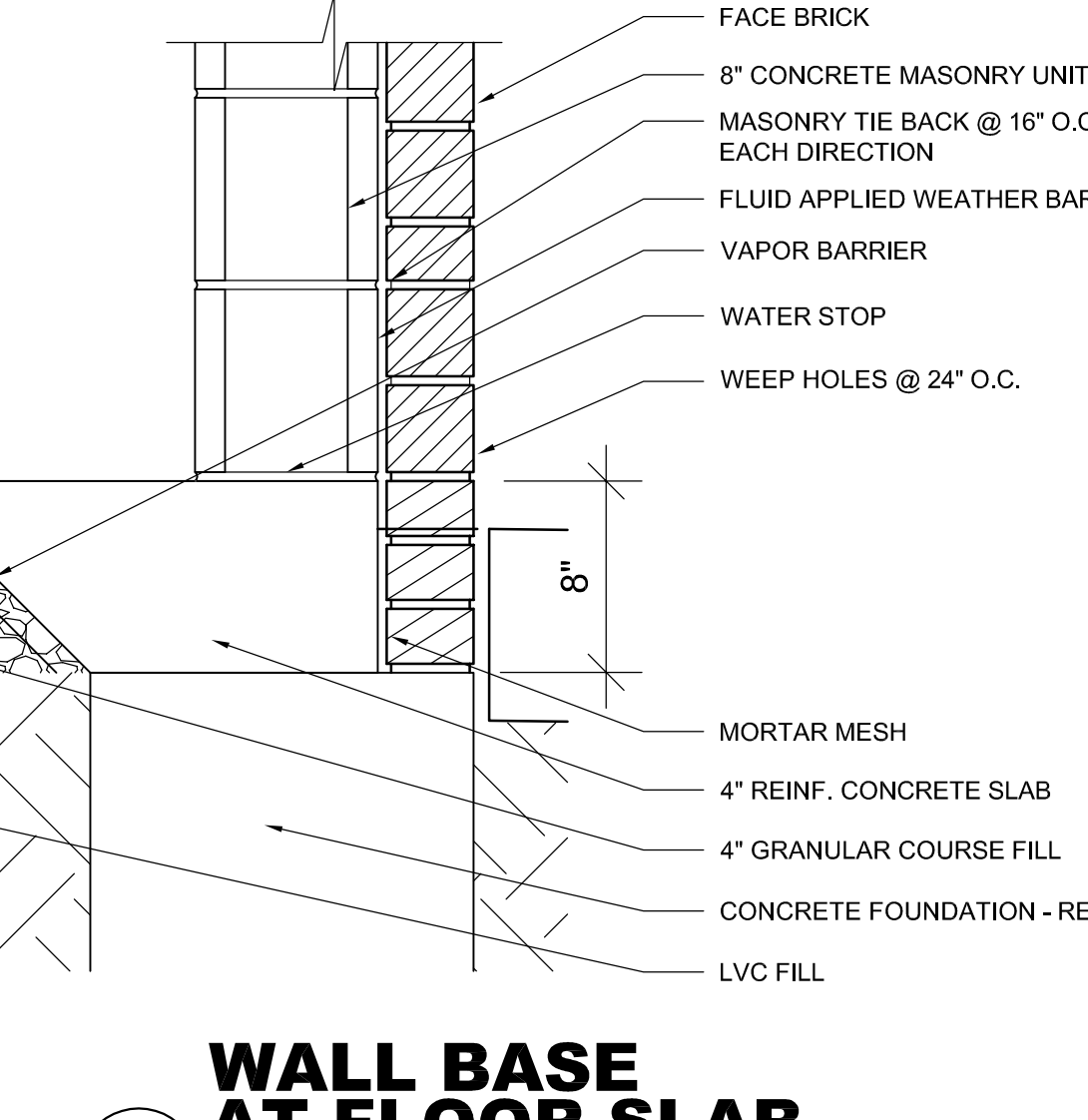
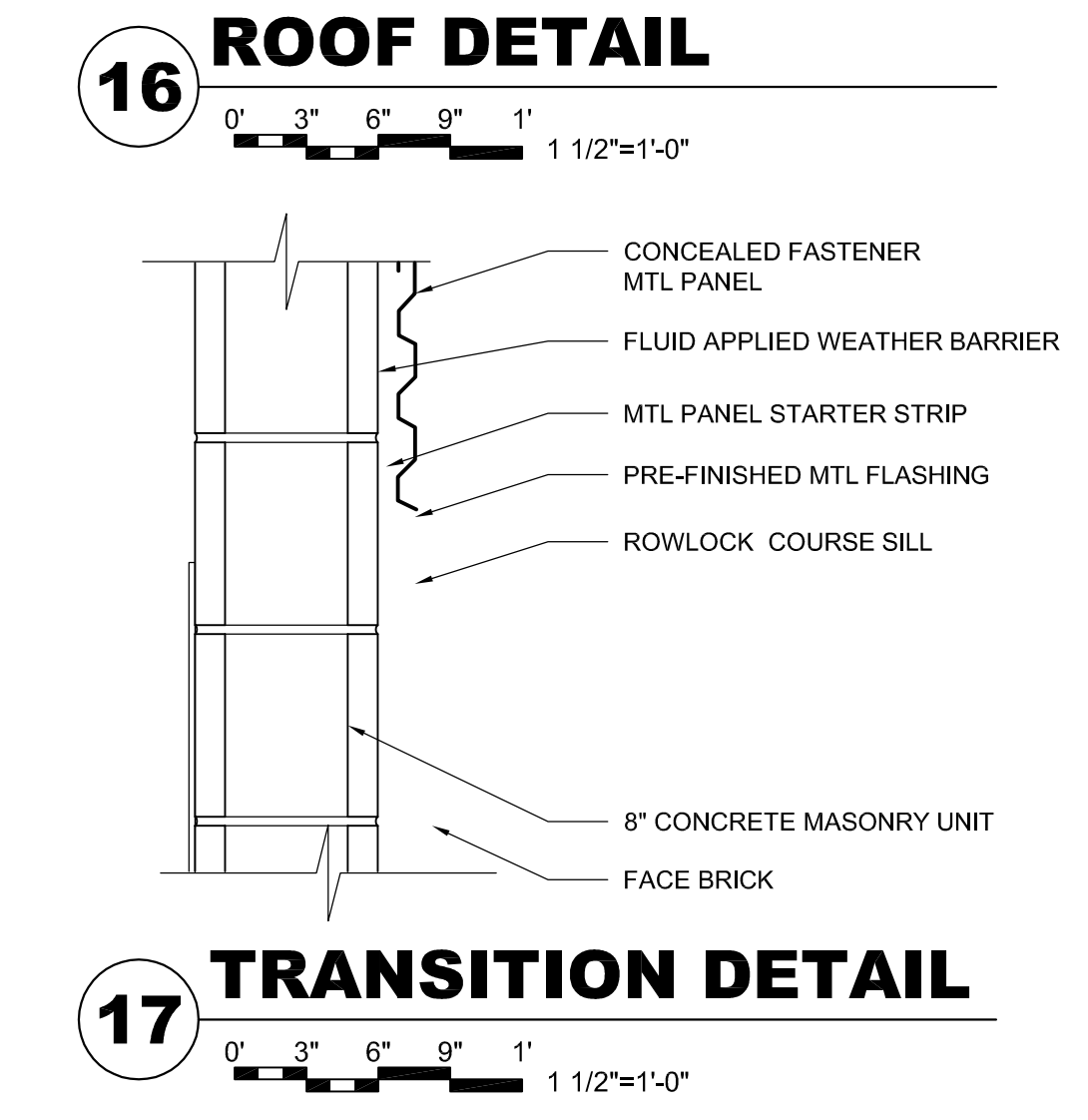
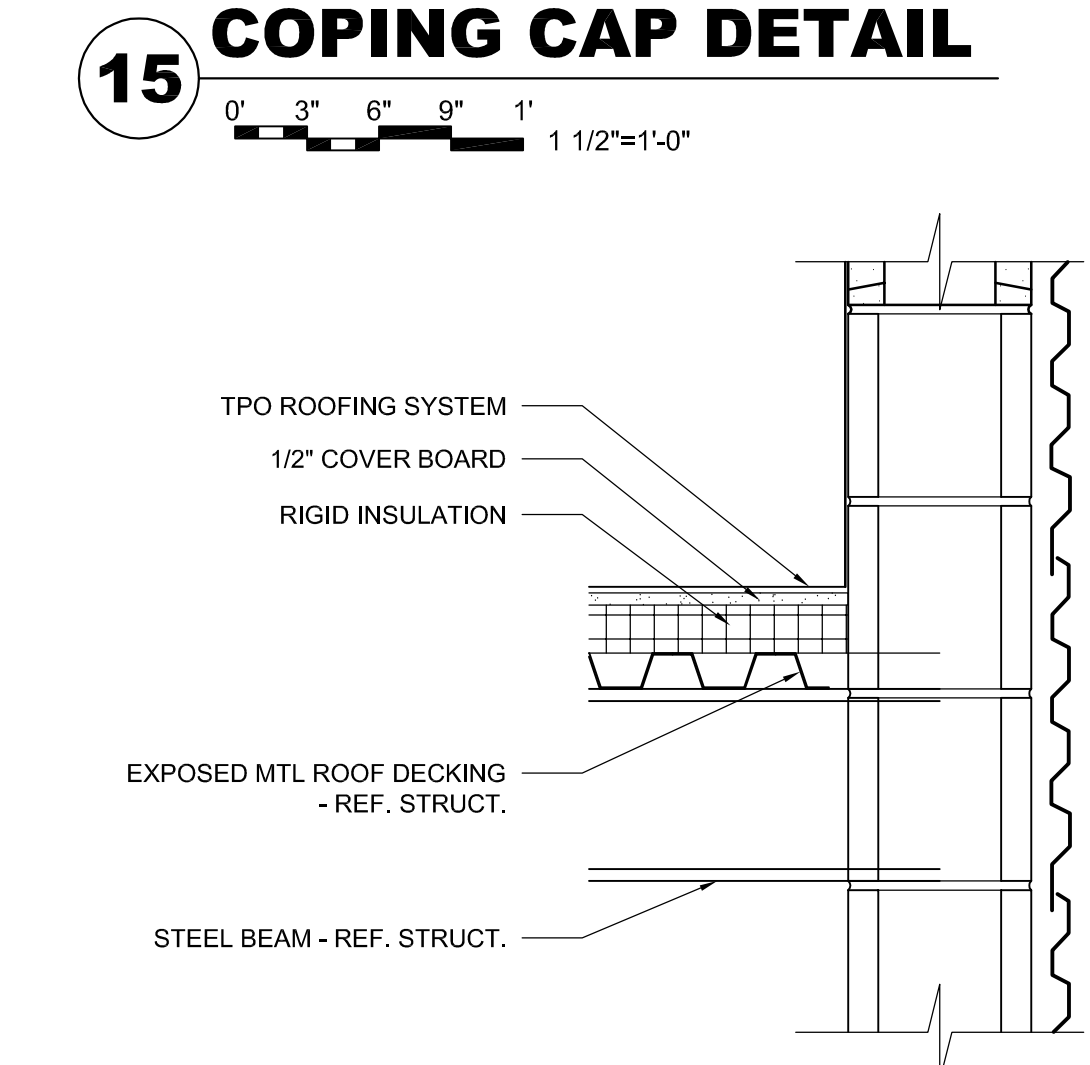
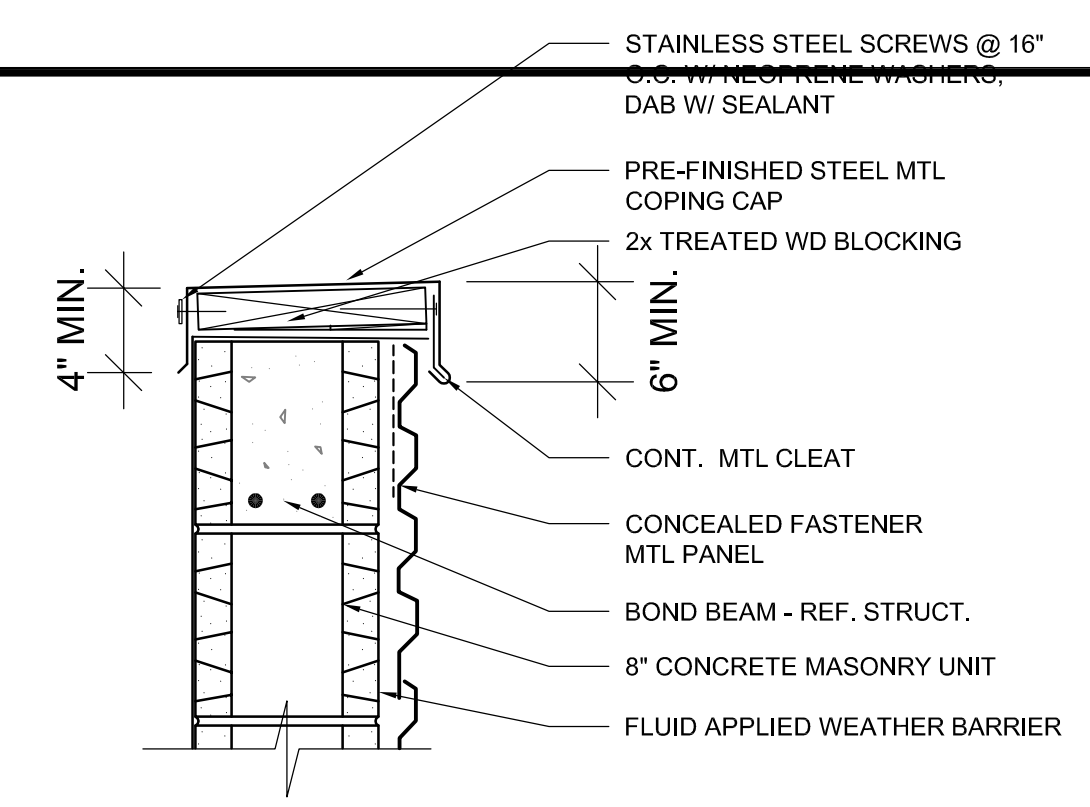
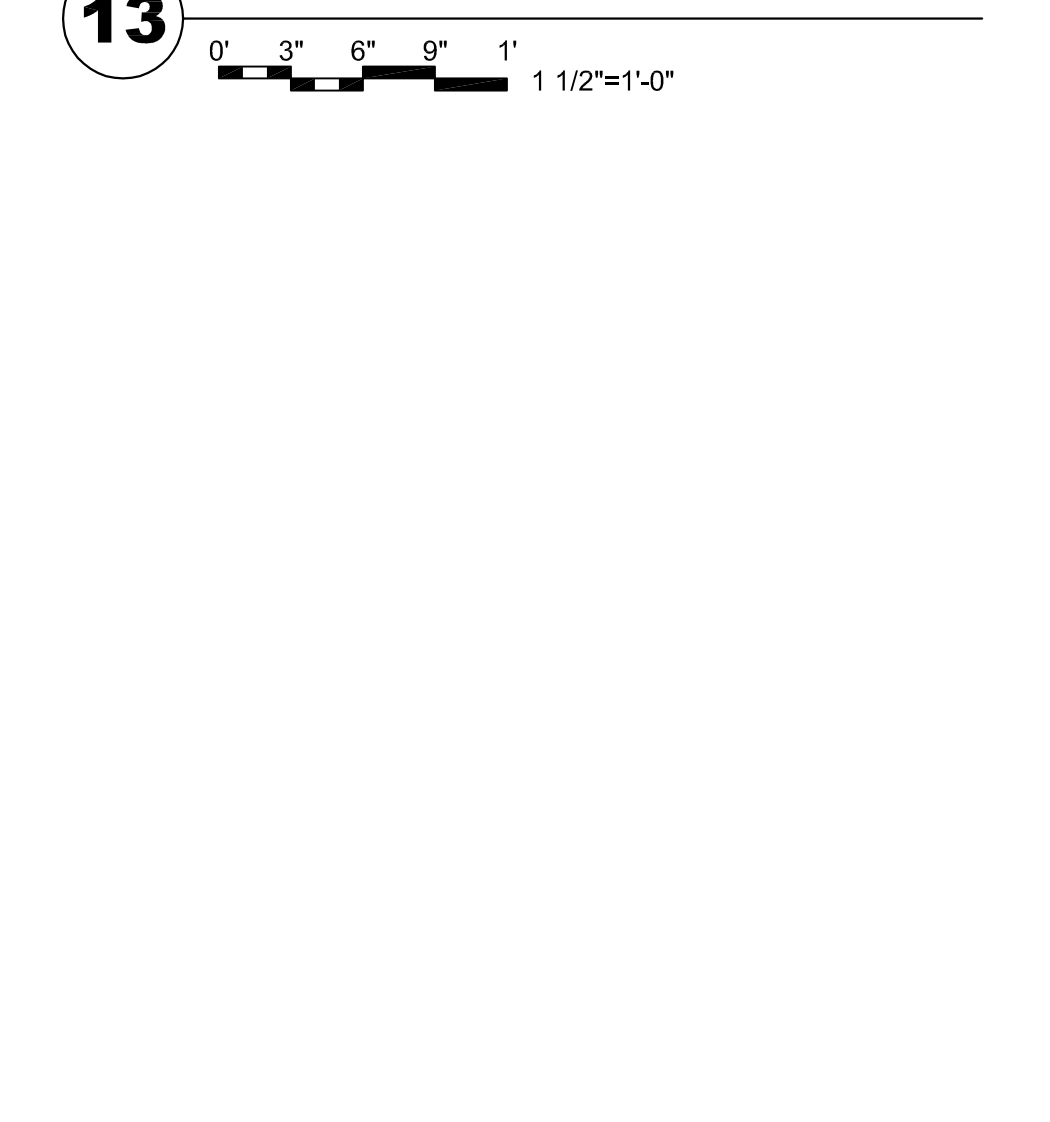
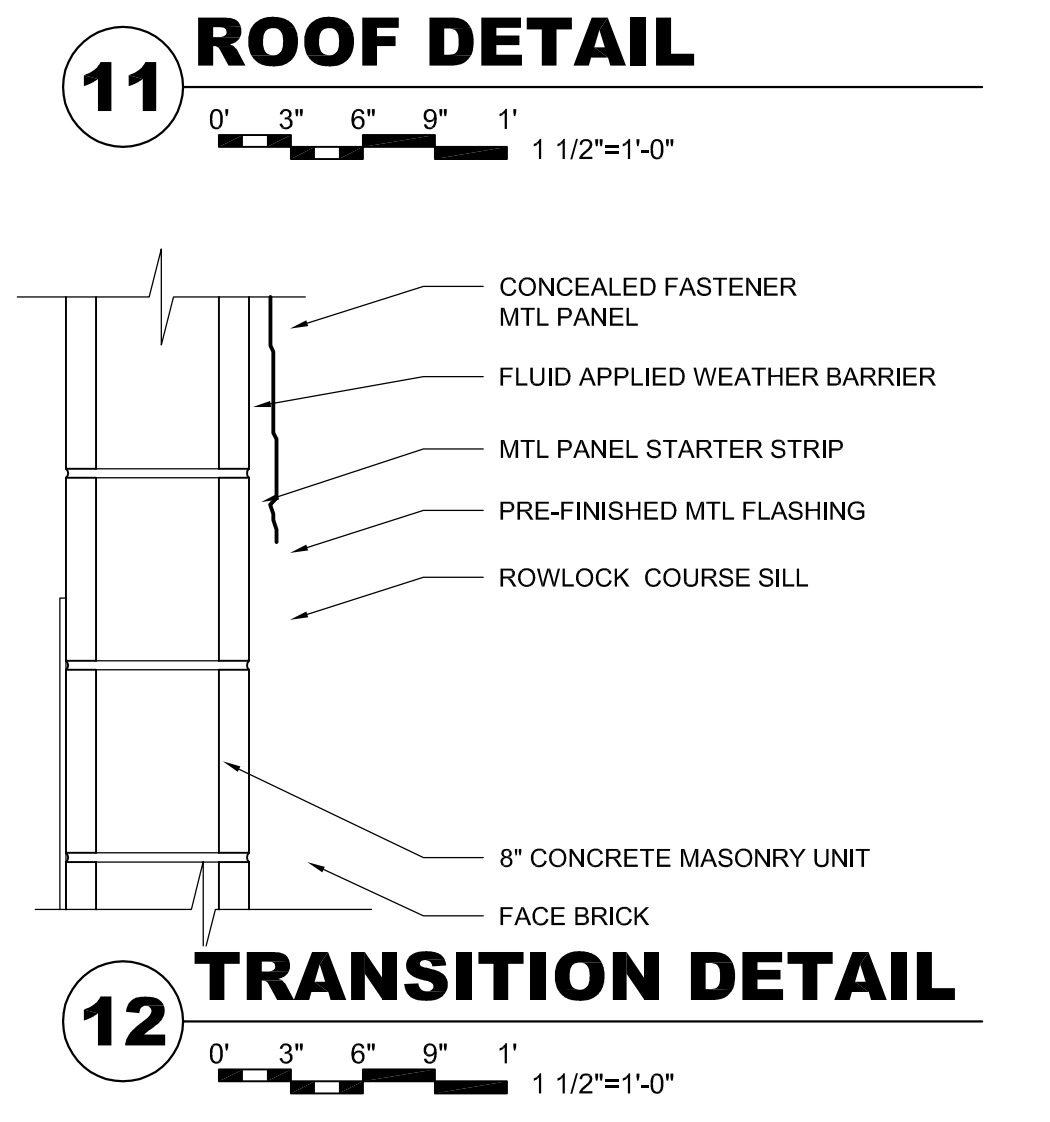
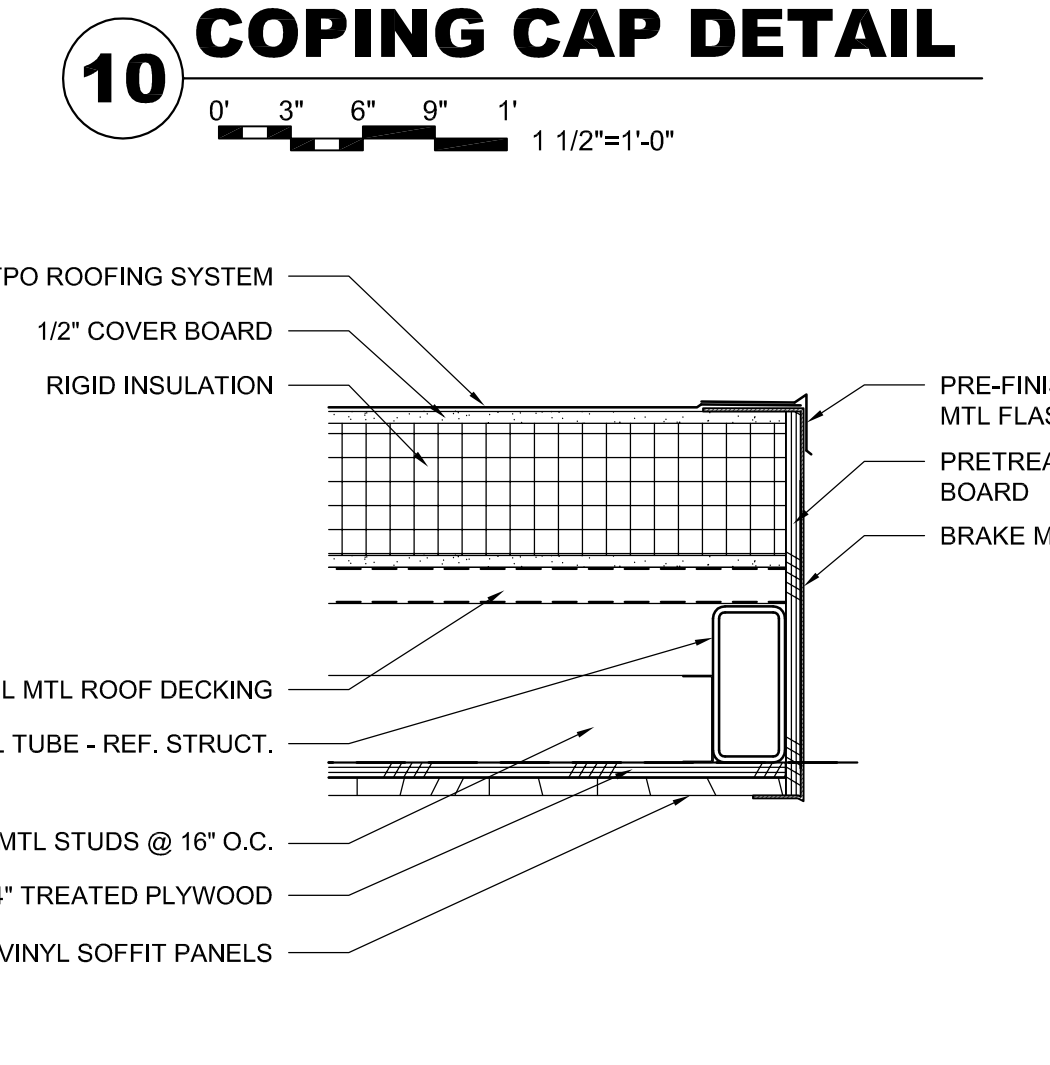
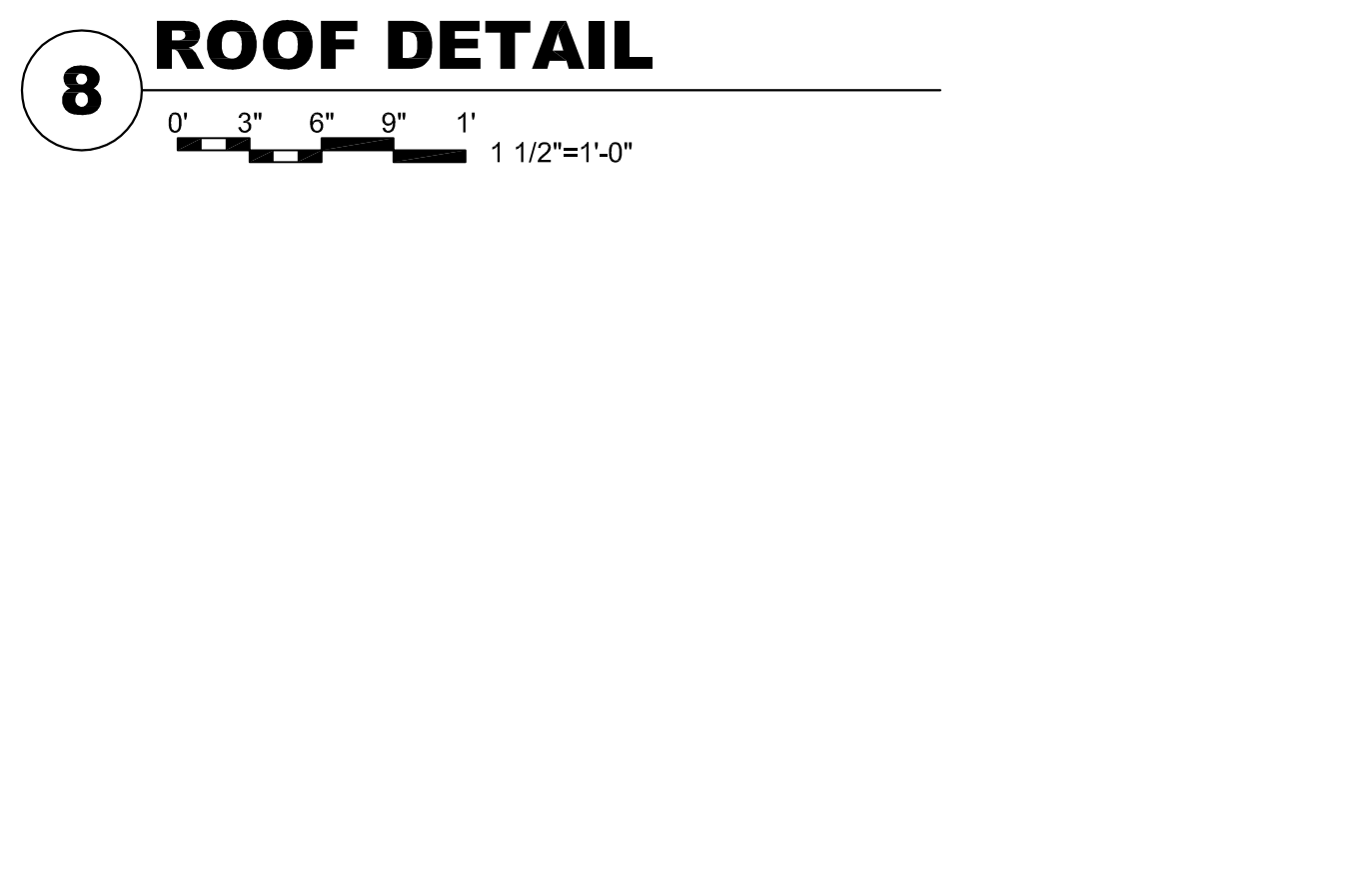
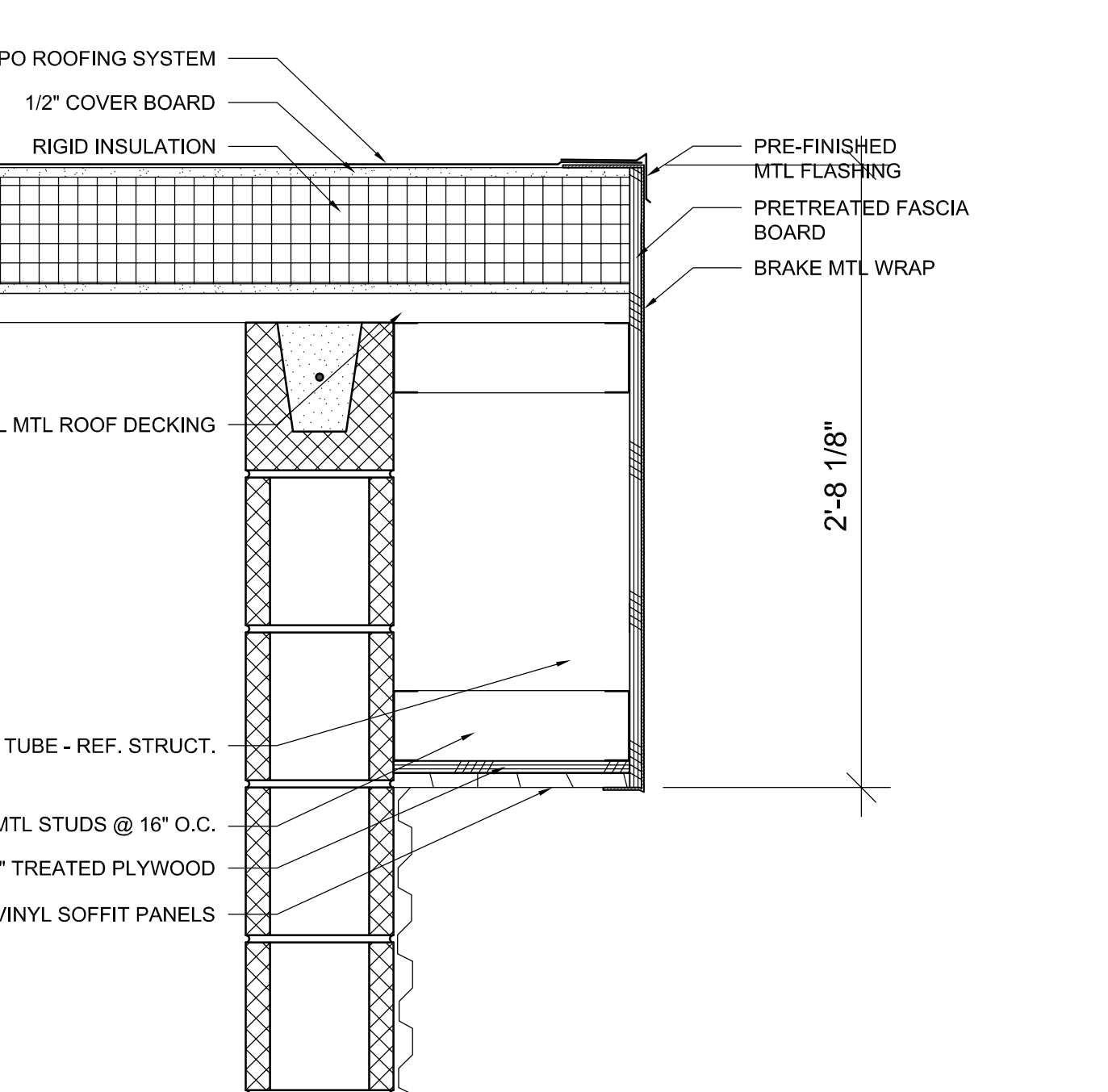
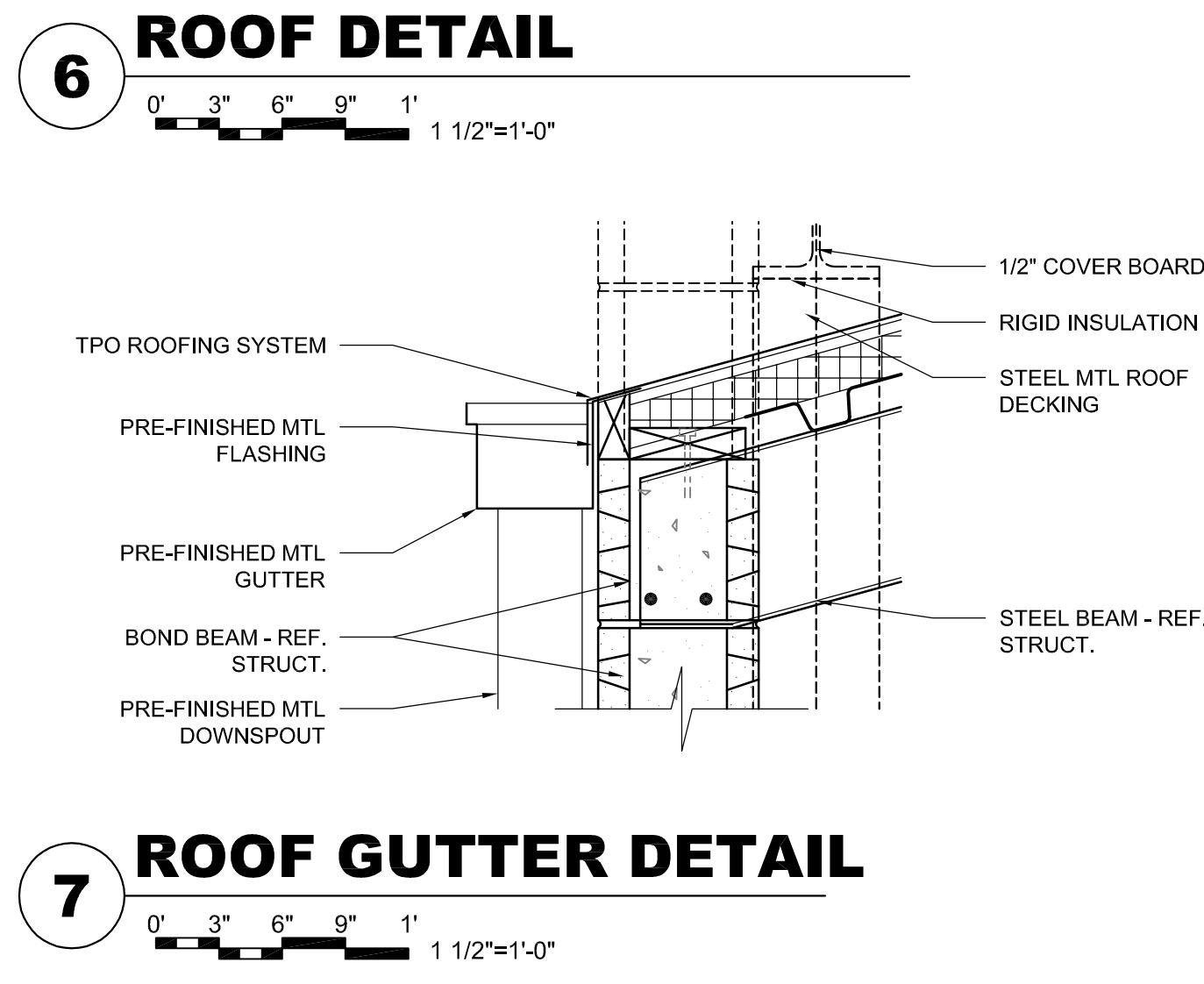
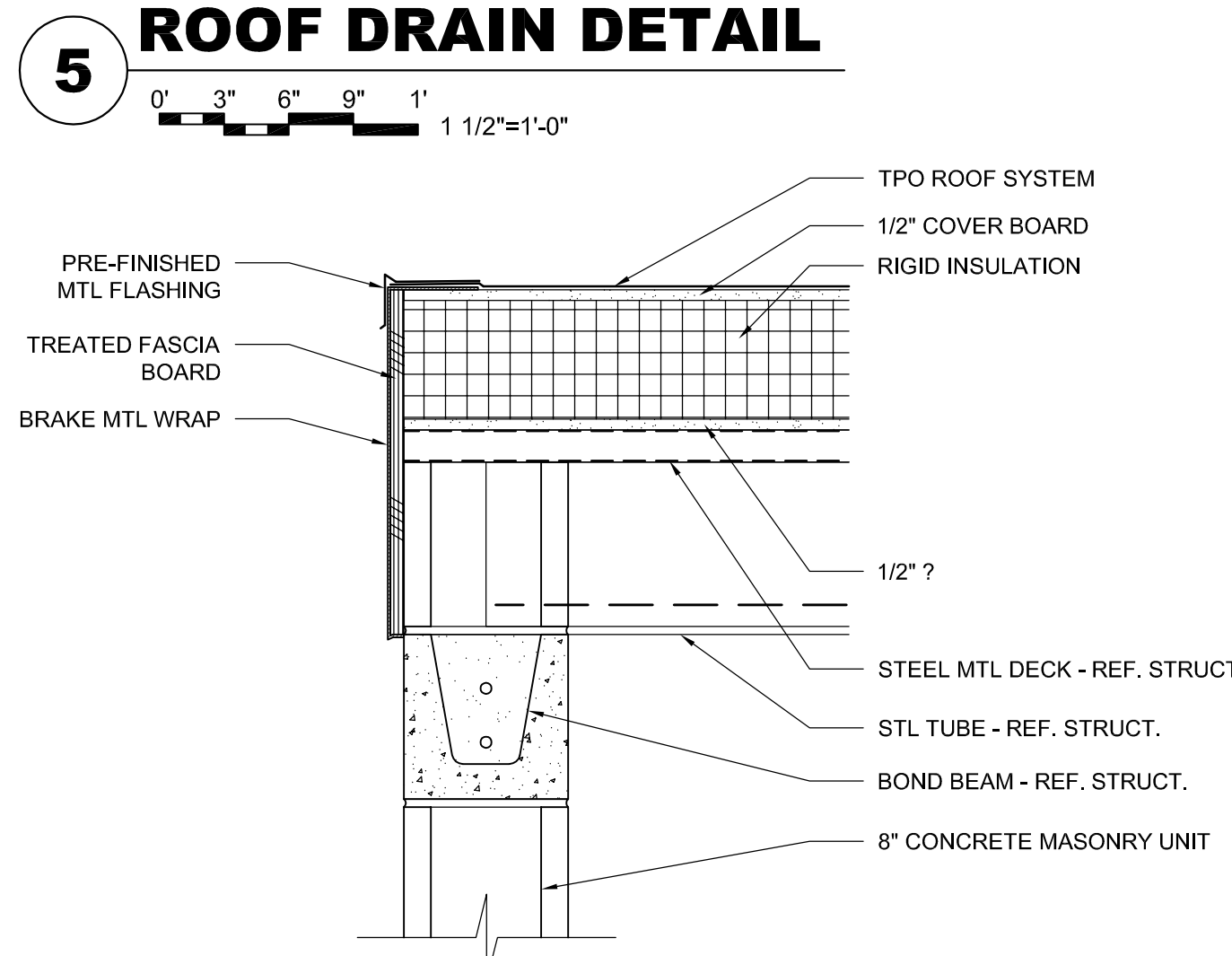
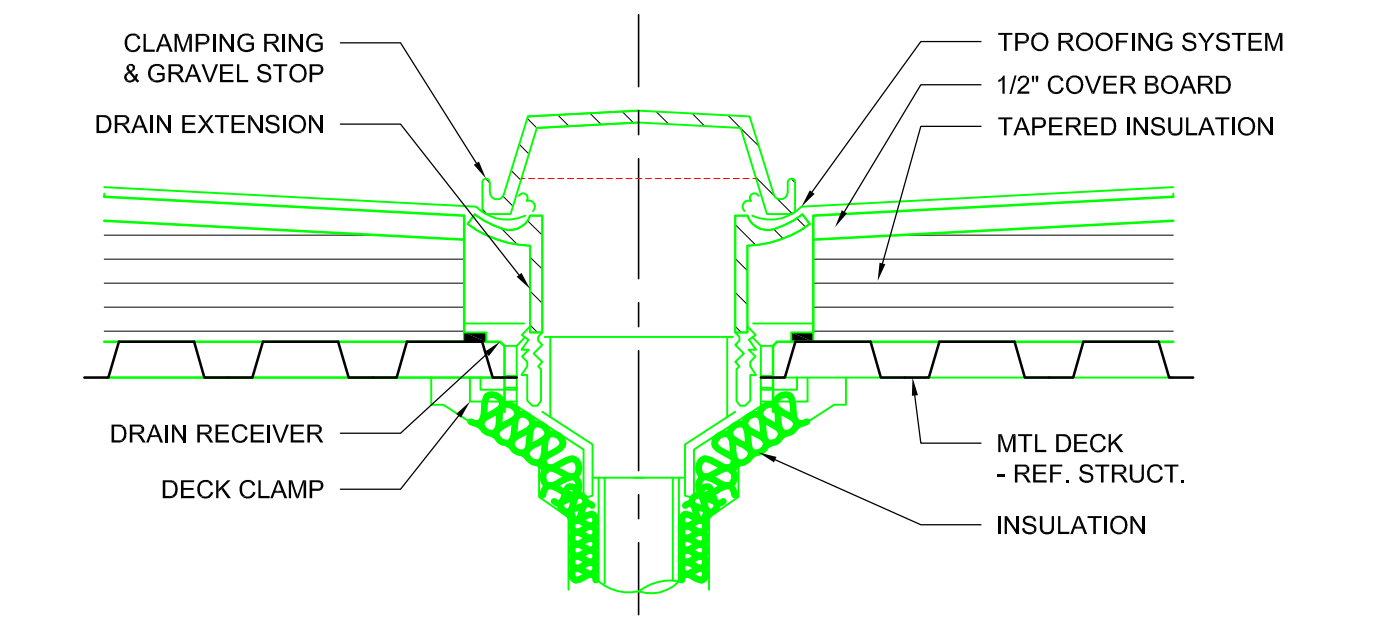
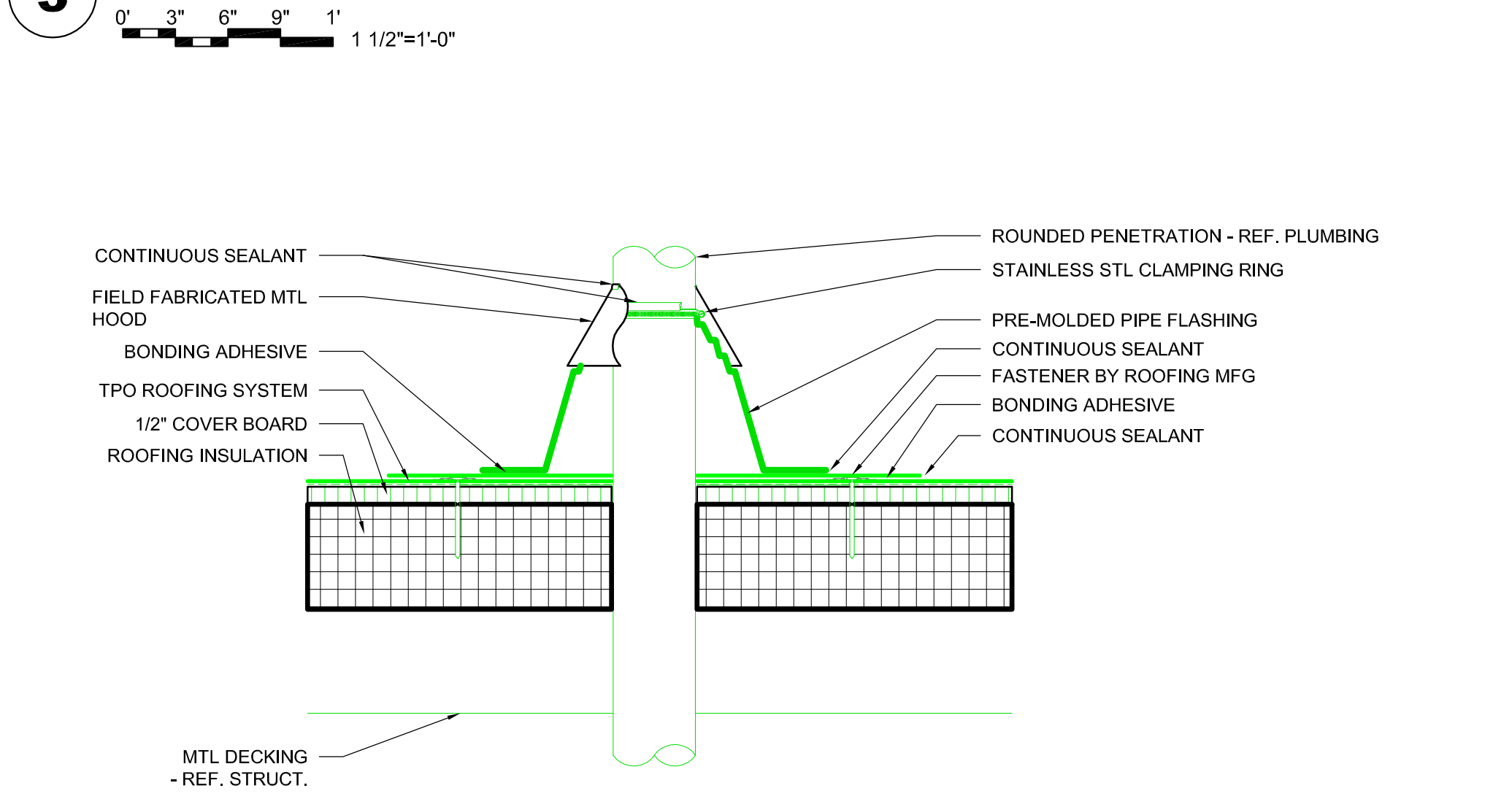
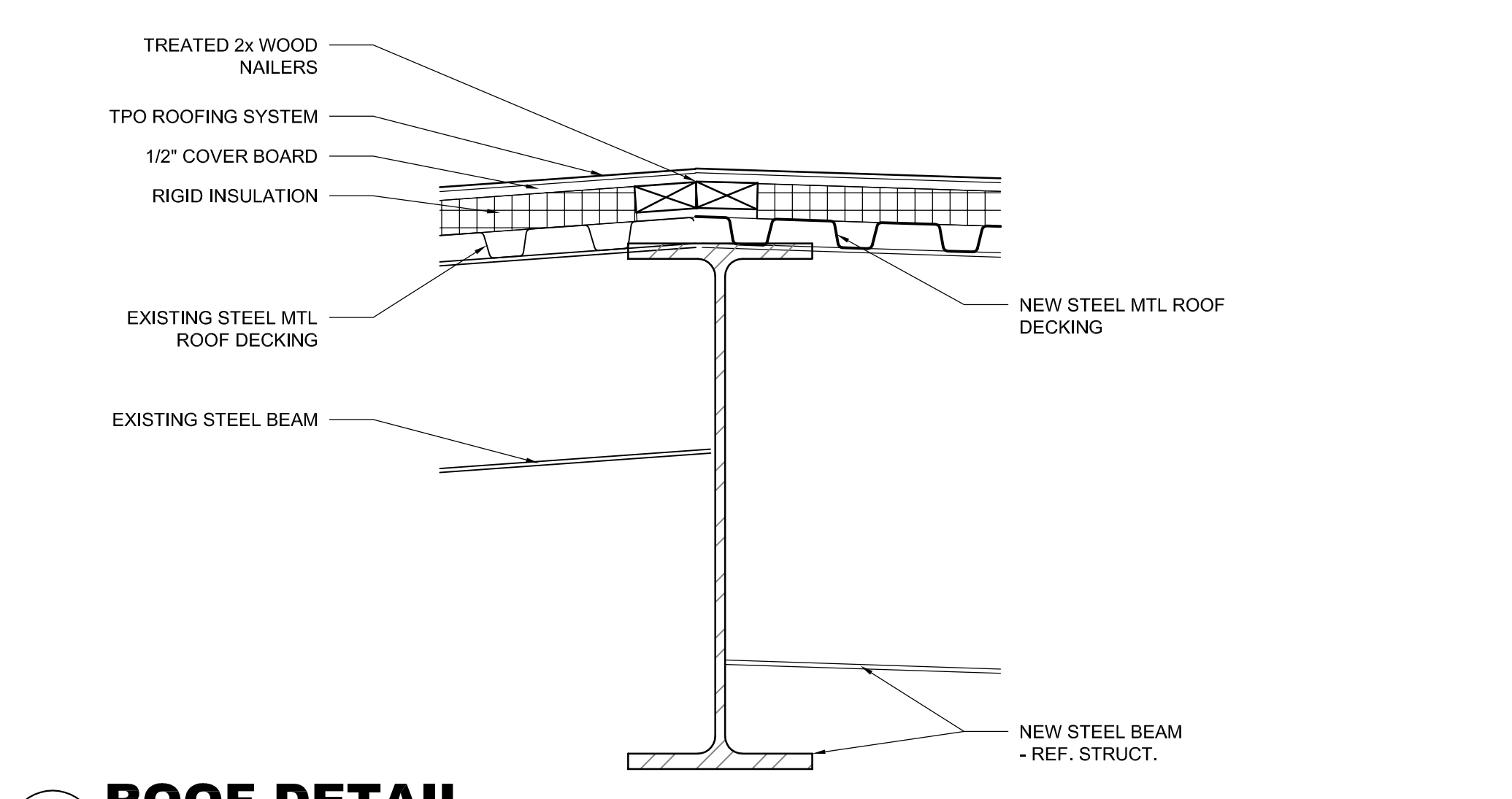
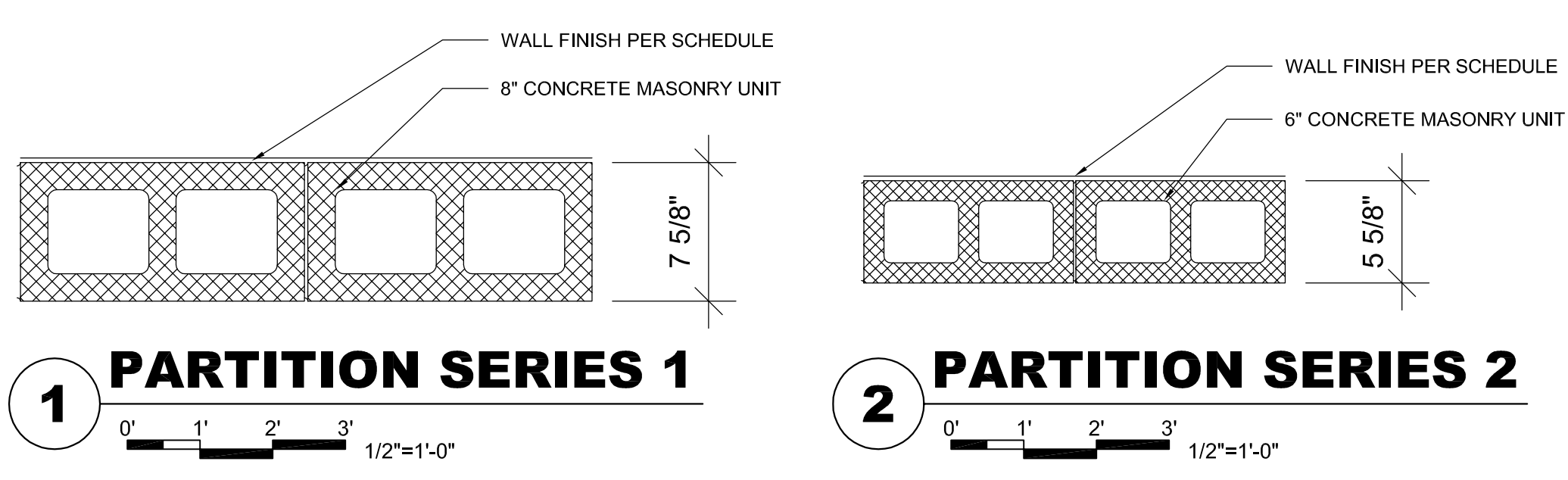
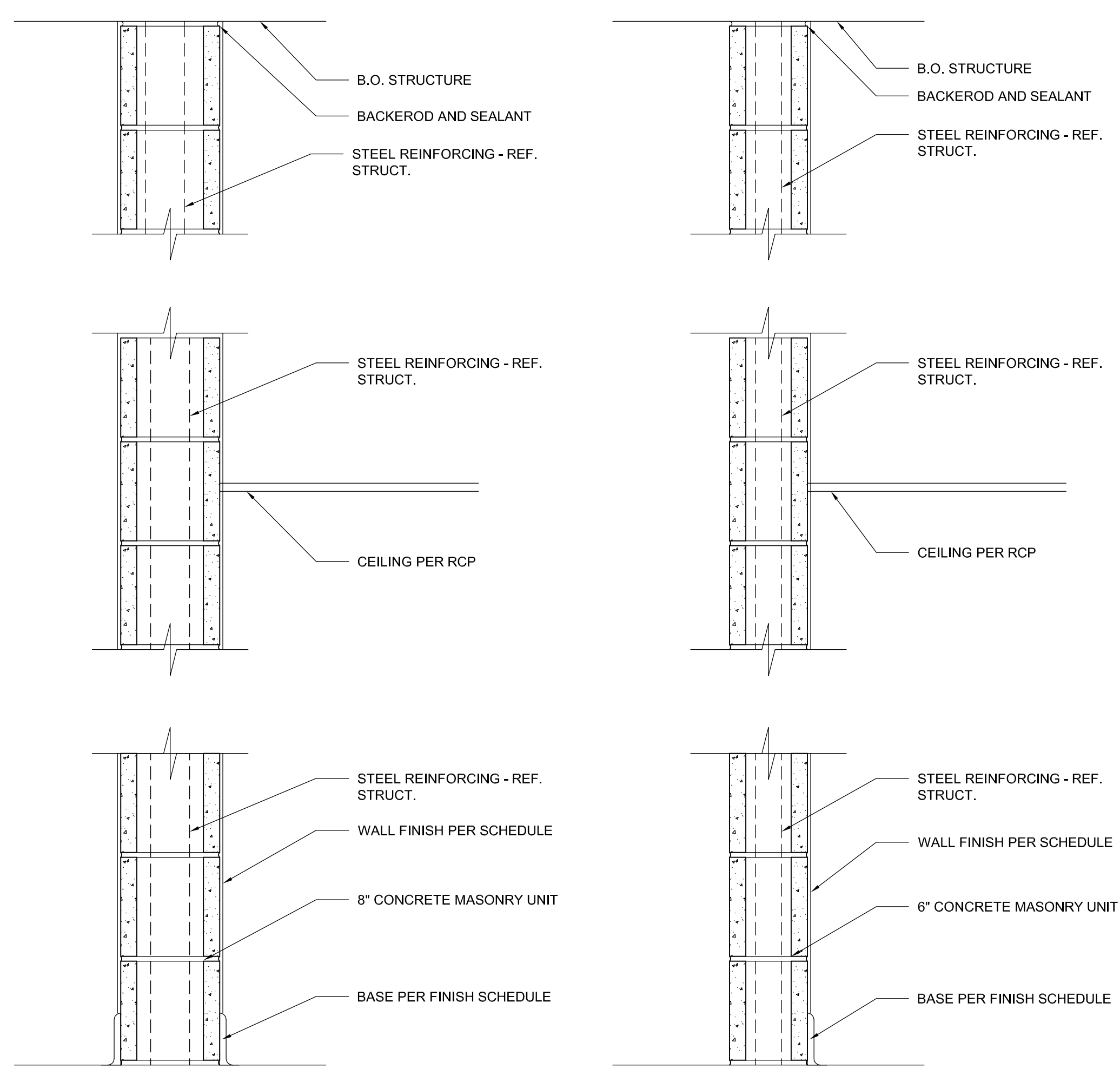


NOTED: Kansas, March 06, 2018 @ 13:04



©2018
 MKEC Engineering
 All Rights Reserved
 www.mkec.com
 These drawings and their contents, including but not limited to, all concepts, designs, & ideas are the exclusive property of MKEC Engineering (MKEC), and may not be used or reproduced in any way without the express consent of MKEC.

DETAILS			
PROJECT NO.	1701010567		
DATE	03/07/18		
SCALE	AS NOTED		
DESIGNED	DRAWN	CHECKED	
SLC	DKW	MFC	
ISSUED FOR CONSTRUCTION	03-07-18	NO.	REVISION
SHEET NO.		DATE	
SA5.1			

