

**INTERIOR ELEVATIONS**

PROJECT NO.	1701010567
DATE	03/07/18
SCALE	1/4"=1'-0"
DESIGNED	SLC
DRAWN	MFC
CHECKED	

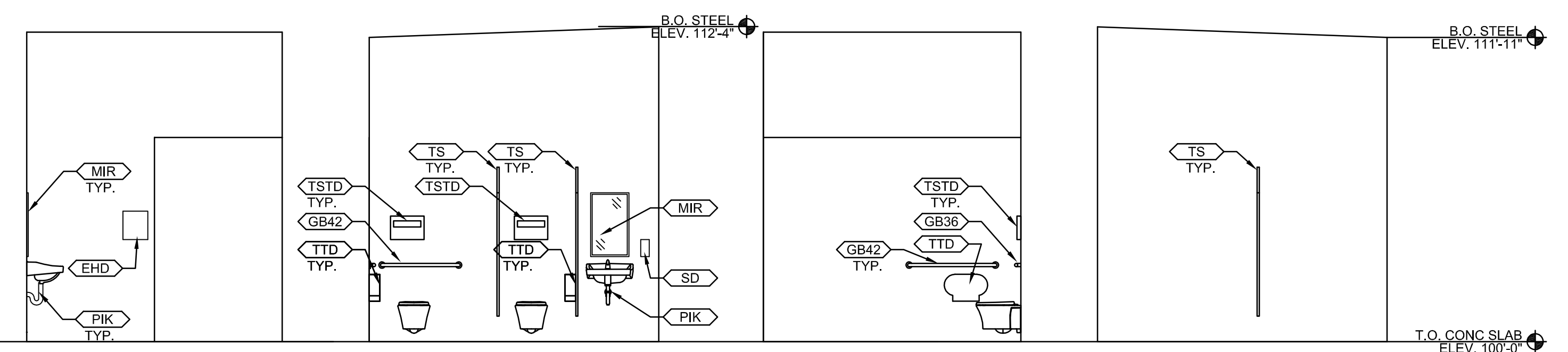
ISSUED FOR CONSTRUCTION	03-27-18
NO.	REVISION
SHEET NO.	
SA7.2	

**SPECIALTIES/ACCESSORIES SCHEDULE**

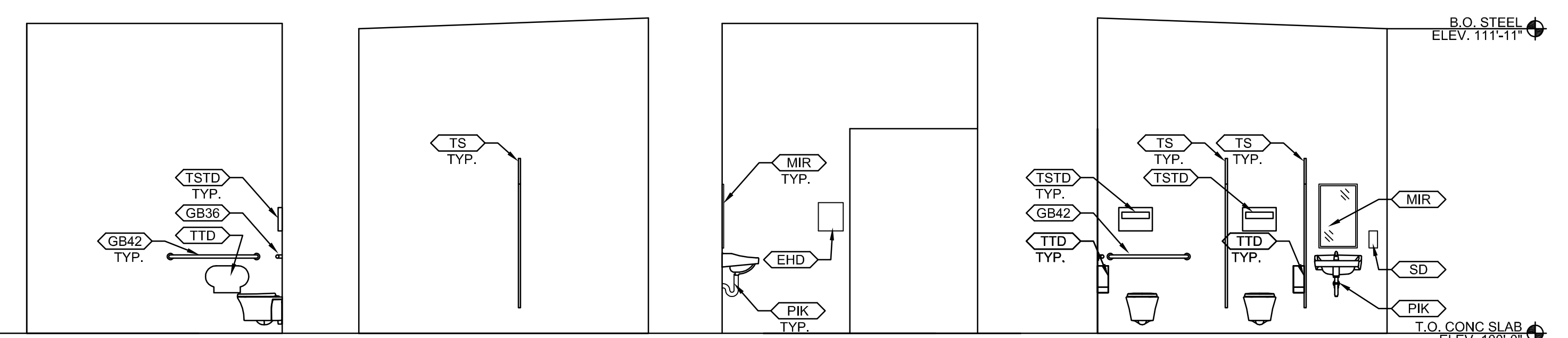
SYMBOL	ITEM	MANUFACTURER	MODEL NUMBER
<DCS>	DIAPER CHANGING STATION	BRADLEY (BRADEX) SURFACE MOUNTED	MODEL: 9631- LIGHT GREY
<EHD>	ELECTRIC HAND DRYER	BRADLEY (BRADEX) HIGH SPEED SURFACE MOUNT	MODEL: 2923-287400
<GB36>	GRAB BAR 36" LONG	BRADLEY	#812 (001-36")
<GB42>	GRAB BAR 42" LONG	BRADLEY	#812 (001-42")
<TS>	TOILET STALLS	SCRANTON PRODUCTS "HINY HIDERS" HIGH DENSITY POLYETHYLENE (HDPE) FLOOR MOUNTED OVERHEAD BRACED 55" STANDARD PANELS & DOORS/ CONTINUOUS ALUMINUM HINGE & STRIKE (EMERGENCY ACCESS) CONFIGURATION WALL FASTENER TORX 2 1/2" SHOE TYPE: STAINLESS/ WITH ROBE HOOKS	COLOR: STAINLESS/ TEXTURE: HAMMERED
<US>	URINAL SCREEN	SCRANTON PRODUCTS "HINY HIDERS" HIGH DENSITY POLYETHYLENE (HDPE) WALL HUNG/ 18"X42" STANDARD PANELS/ CONTINUOUS ALUMINUM BRACKET CONFIGURATION	COLOR: STAINLESS/ TEXTURE: HAMMERED
<MIR>	MIRROR	BRADLEY (BRADEX)	SERIES 780 (18"X30)
<WR>	WASTE RECEPTACLE	SIMPLEHUMAN, 80L/21.1 GALLON BULLET TRASH CAN WITH TOP	COLOR: BRUSHED S.S
<PIK>	PLUMBING INSULATION KIT	TYP AT EXPOSED WATER LINES AND WASTE DRAIN, PER ADA	
<SND>	SANITARY NAPKIN DISPOSAL DISPENSER	BRADLEY (BRADEX) SURFACE-MOUNTED	MODEL: 4781-11
<SNTD>	SANITARY NAPKIN AND TAMPON DISPENSER	BRADLEY (BRADEX) SURFACE MOUNTED	MODEL: 4A20-11
<SD>	SOAP DISPENSER - LIQUID	GOJO SURFACE MOUNT 800 SERIES BAG-IN-BOX DISPENSER	COLOR: BLACK
<TTD>	TOILET TISSUE DISPENSER	GEORGIA-PACIFIC 592-06 TRANSLUCENT SMOKE TWO ROLL SIDE-BY-SIDE COVERED	COLOR: BLACK
<TSTD>	TOILET SEAT TISSUE DISPENSER	BRADLEY (BRADEX) SURFACE MOUNTED 500 CAPACITY	MODEL: 583
<MR>	MOP RACK	WALL MOUNTED	
 	BROOM RACK	WALL MOUNTED	

**GENERAL NOTES**

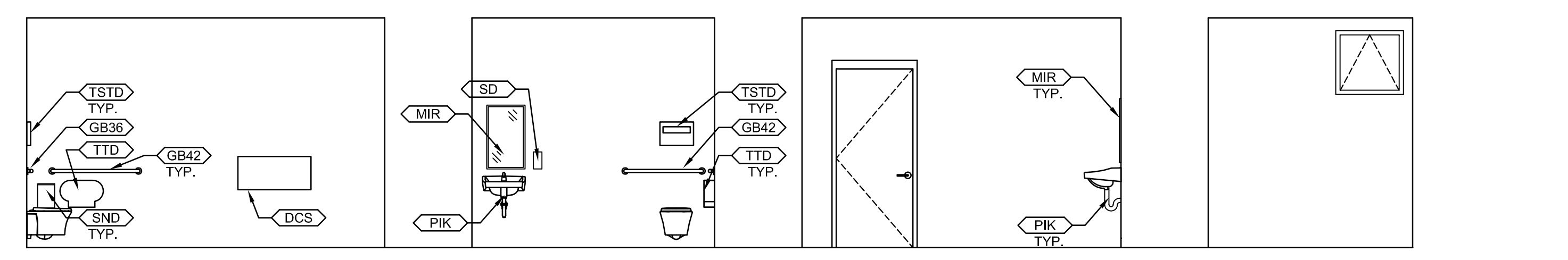
- THESE ARE TYPICAL DIAGRAMS INTENDED TO SHOW MOUNTING HEIGHTS, DIMENSIONS, SPACIAL REQUIREMENTS, ETC. FOR BOTH ACCESSIBLE AND NON-ACCESSIBLE FIXTURES AND ACCESSORIES.
- NOT ALL DEVICES, FIXTURES, ACCESSORIES, ETC. THAT ARE SHOWN IN THESE DIAGRAMS ARE APPLICABLE TO THIS PROJECT. REFER TO ENLARGED FLOOR PLANS, INTERIOR ELEVATIONS, ROOM FINISH SCHEDULE, MEP DWGS AND PROJECT MANUAL FOR ADDITIONAL INFORMATION AND IDENTIFICATION OF WHICH SPECIFIC DEVICES, FIXTURES AND ACCESSORIES ARE INCLUDED UNDER THIS CONTRACT.
- COMPLY WITH THE MOUNTING HEIGHTS SHOWN ON THESE DIAGRAMS UNLESS SPECIFICALLY DIMENSIONED ELSEWHERE ON THESE DRAWINGS.



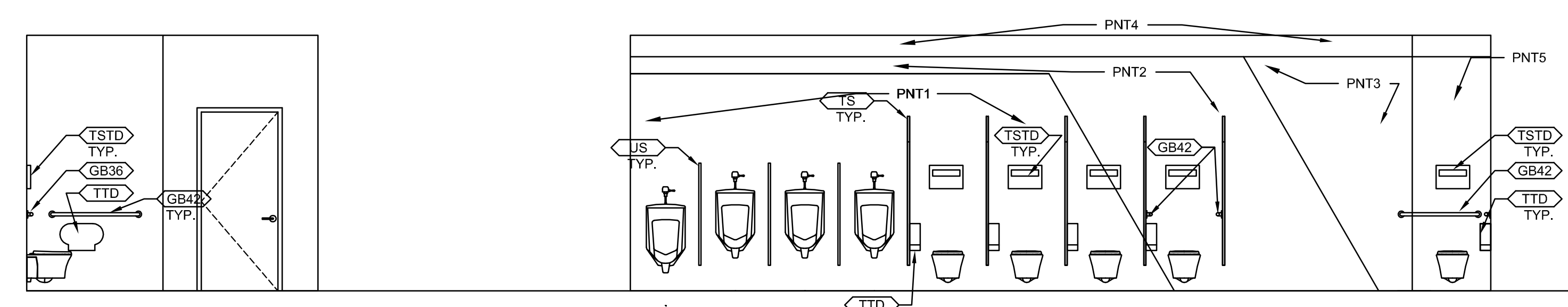
1 113 WEST    2 113 SOUTH    3 113 EAST    4 113 NORTH



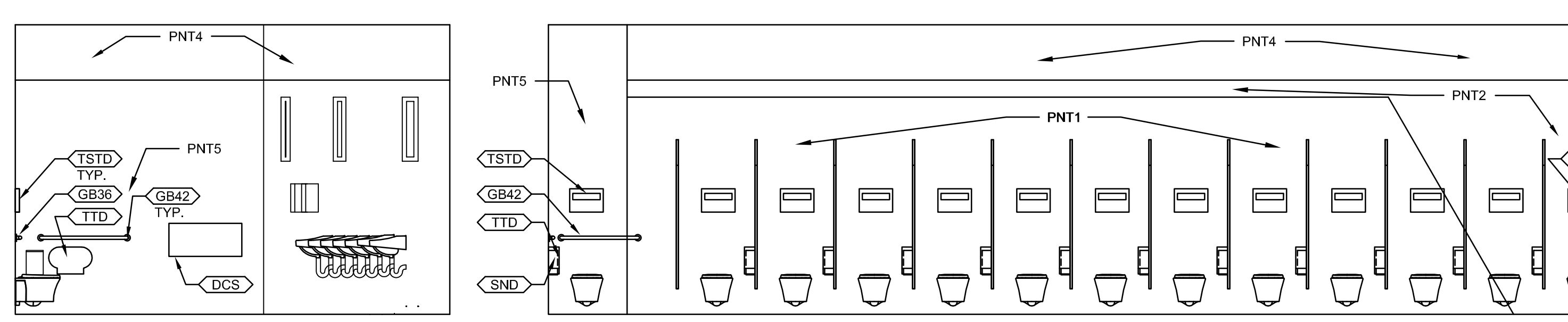
5 114 WEST    6 114 SOUTH    7 114 EAST    8 114 NORTH



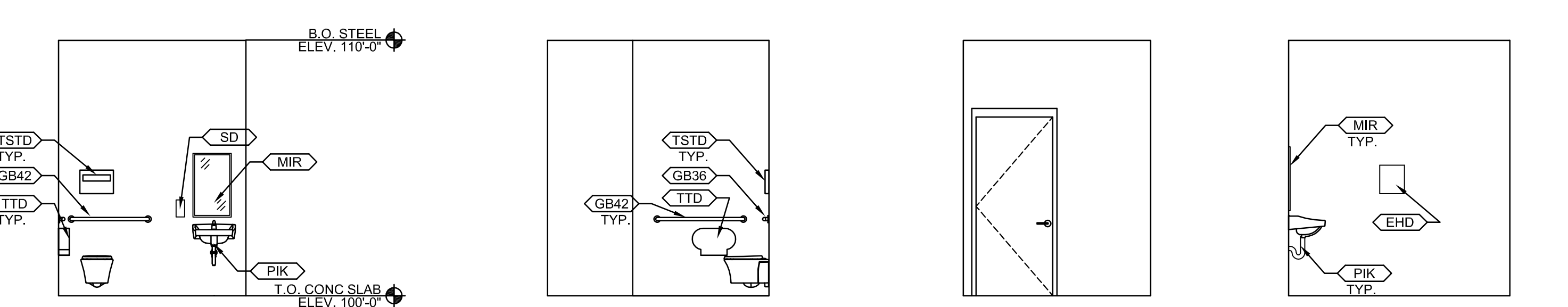
9 106 WEST    10 106 SOUTH    11 106 EAST    12 106 NORTH



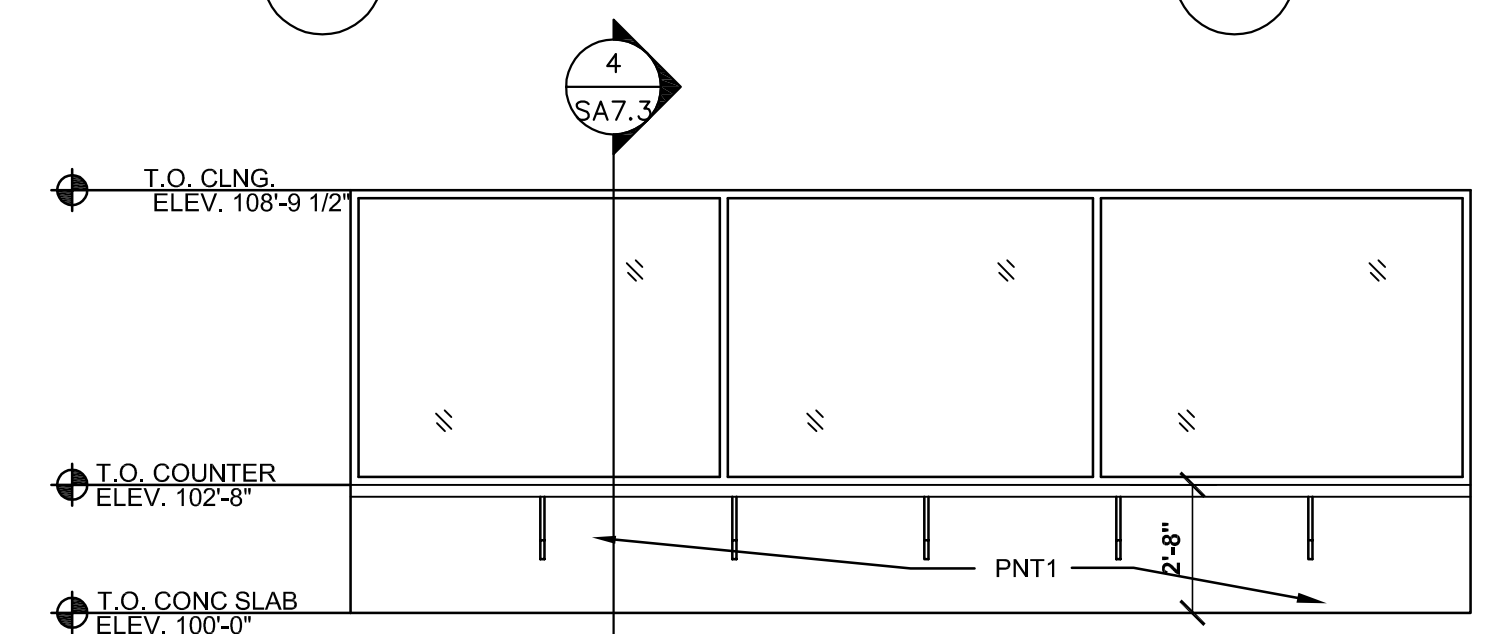
13 107 WEST    14 107 SOUTH    15 107 EAST    16 107 NORTH



17 112 WEST    18 112 SOUTH    19 112 EAST    20 112 NORTH

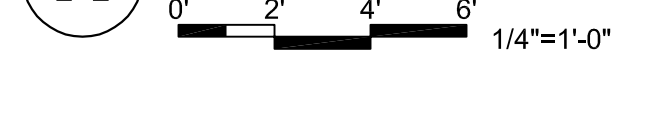


21 110 WEST    22 110 SOUTH    23 110 EAST    24 110 NORTH



25 104 WEST

**A INTERIOR ELEVATIONS RESTROOMS**



1701010567-CA011-CONDOCS230108-TYP-01-SKAT-EDWG  
 PROJECT NUMBER: 1701010567-CA011-CONDOCS230108-TYP-01-SKAT-EDWG  
 DATE: 03/07/18