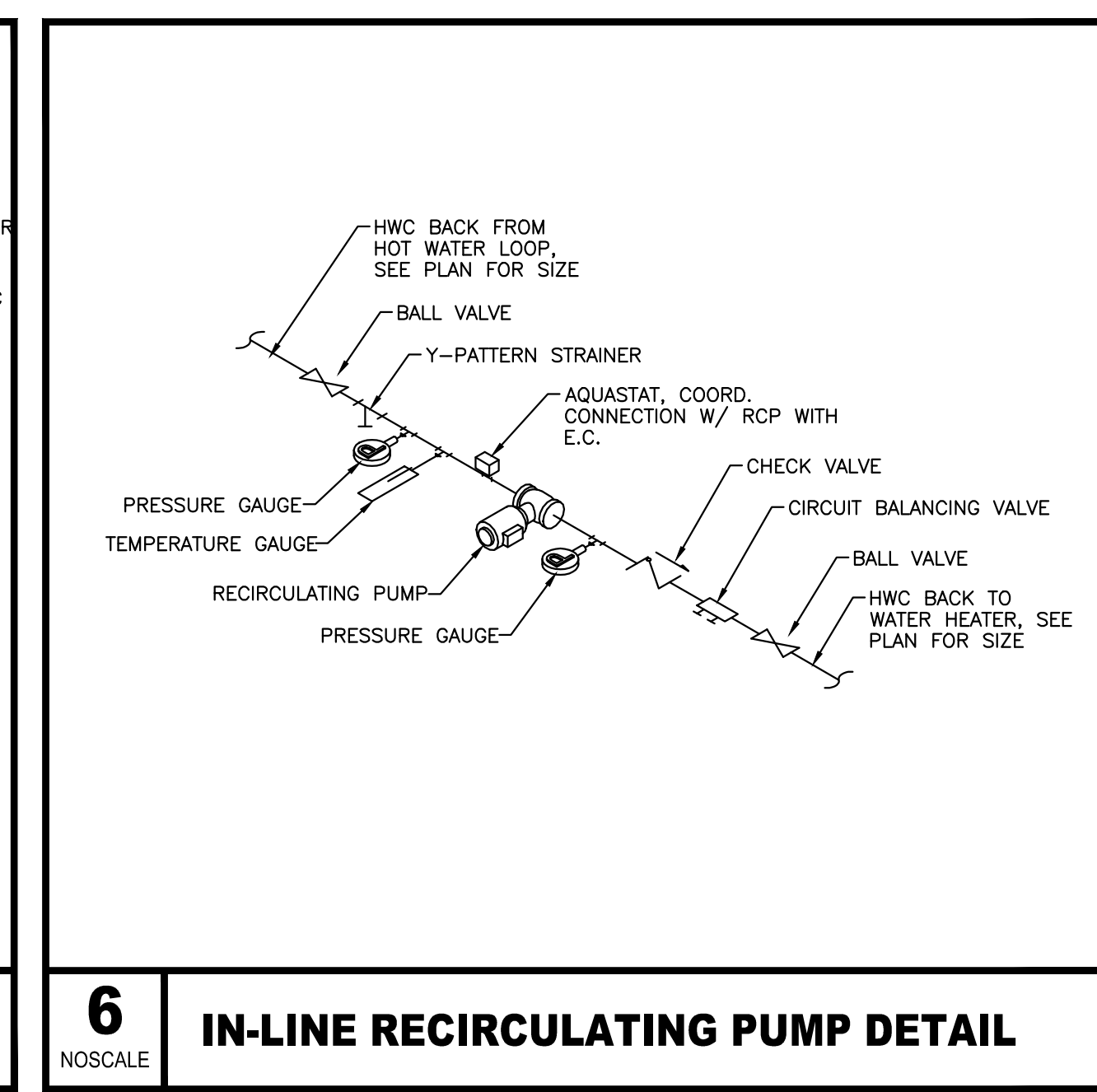
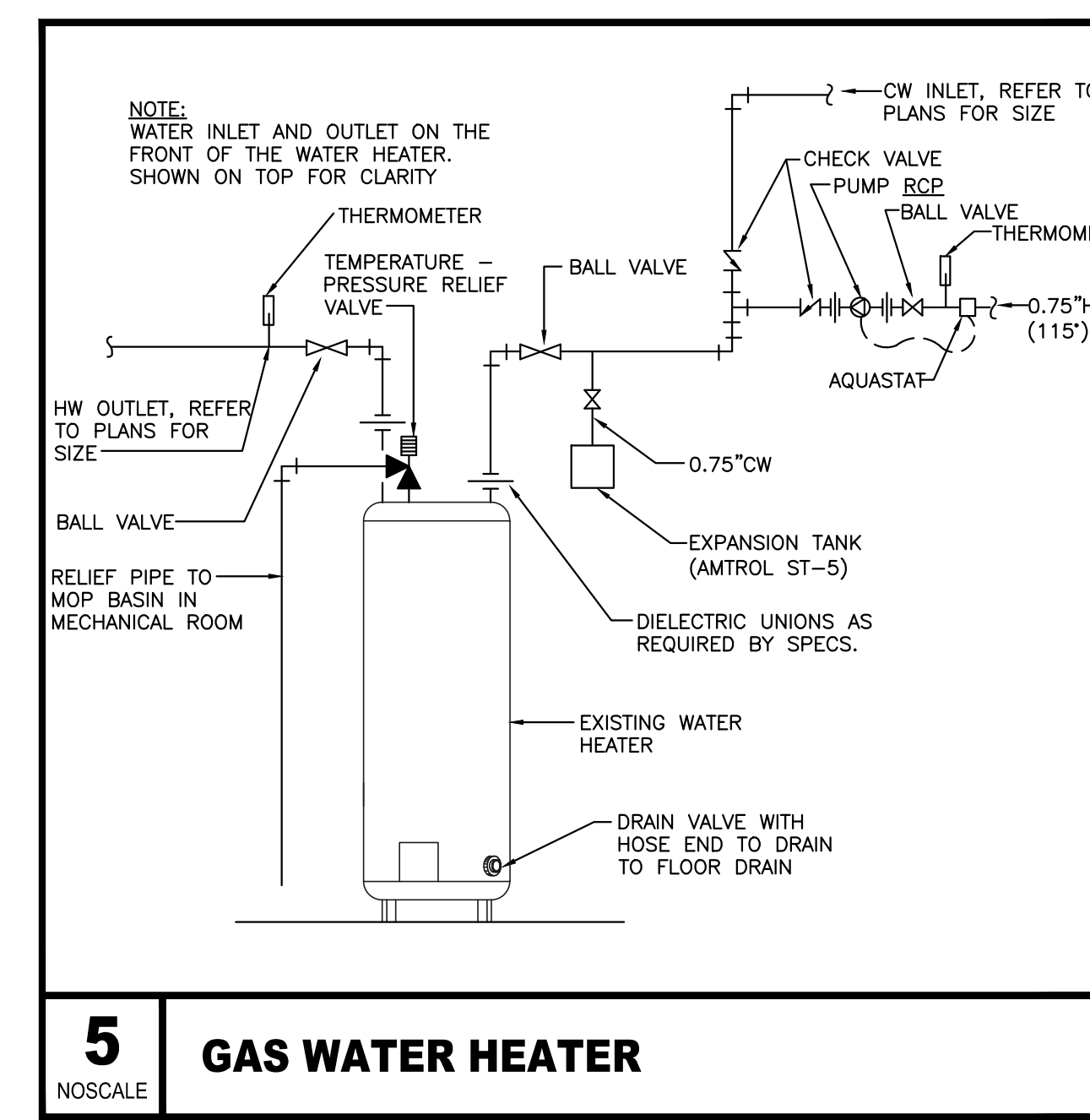
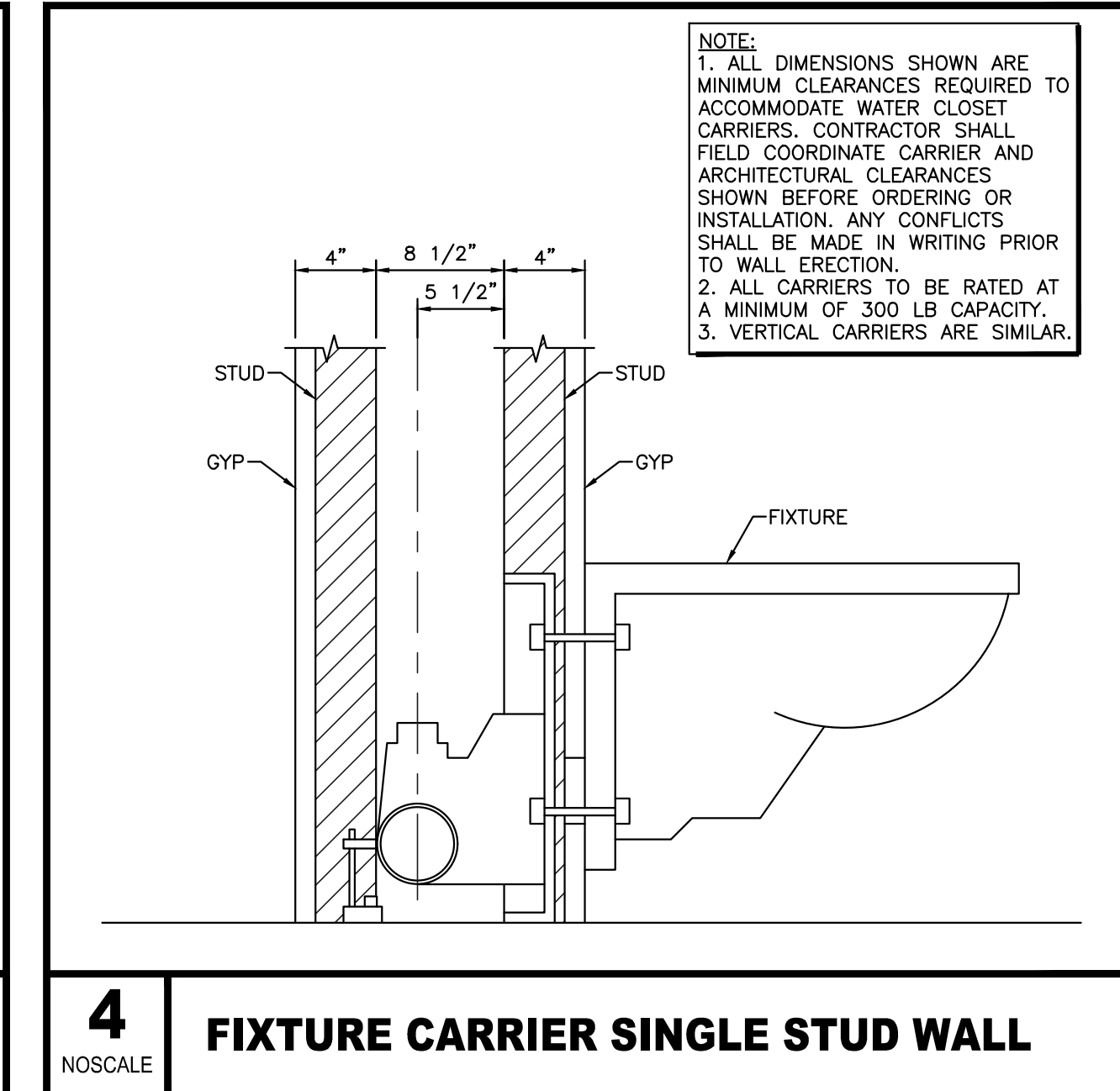
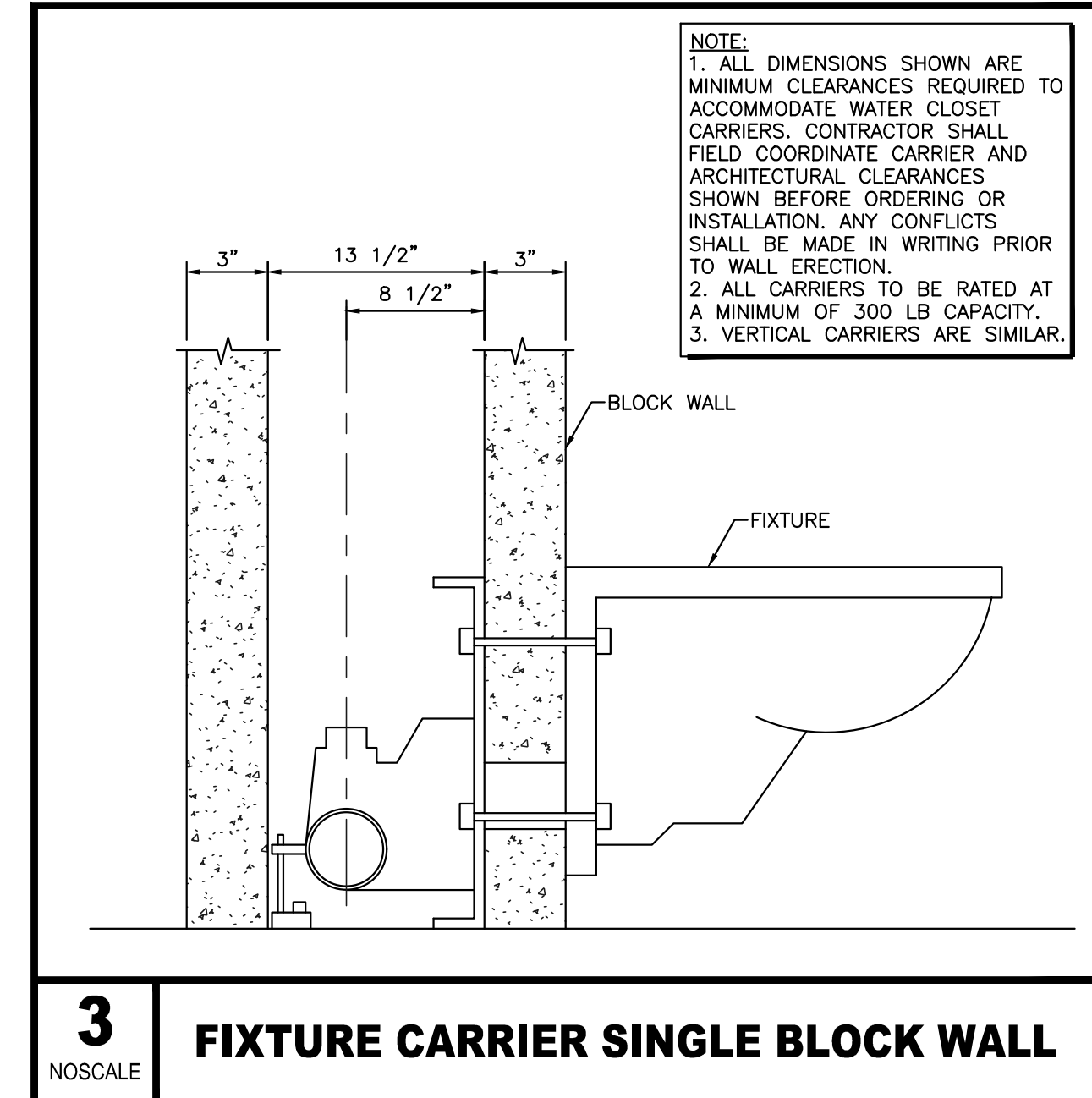
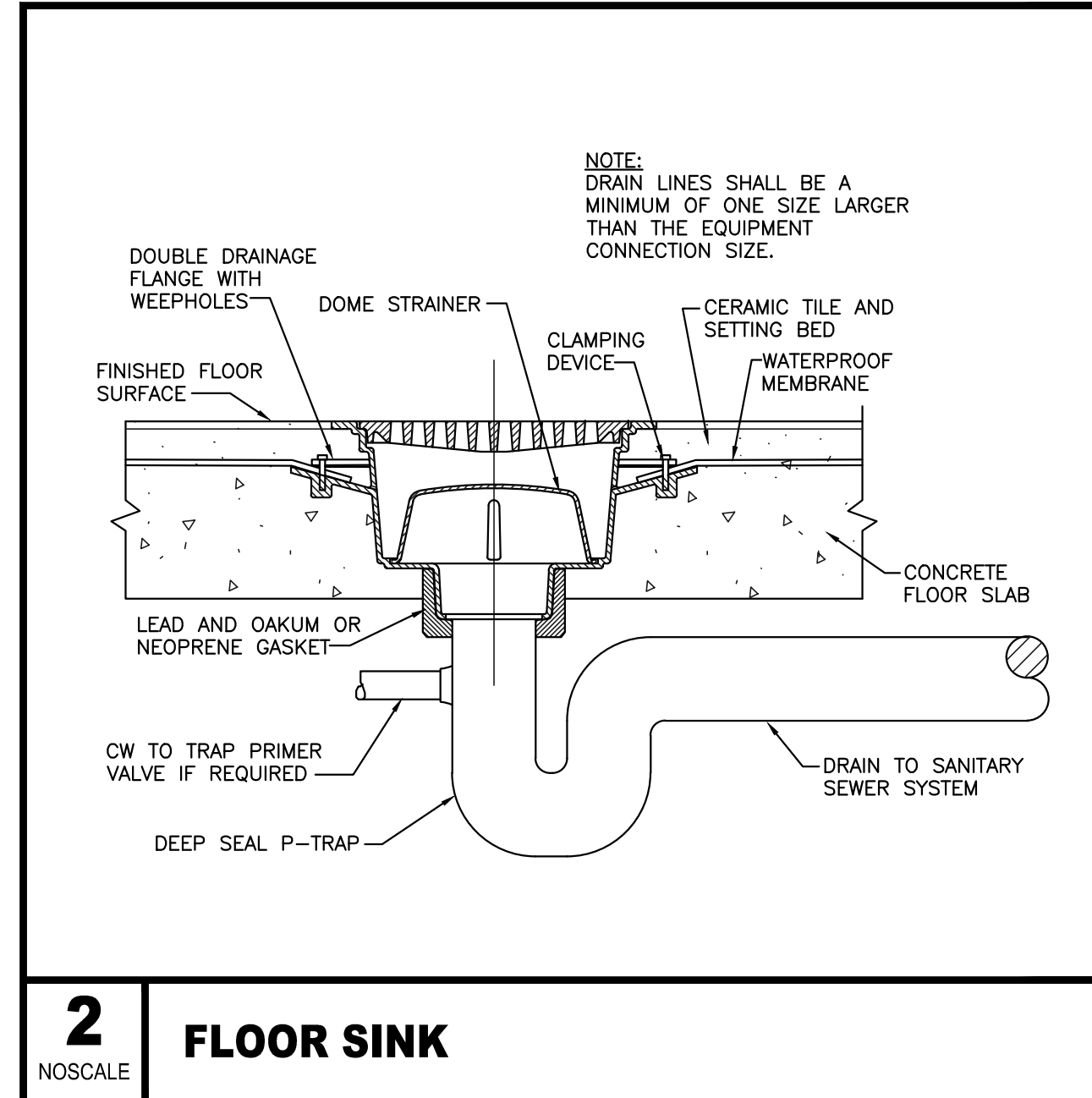
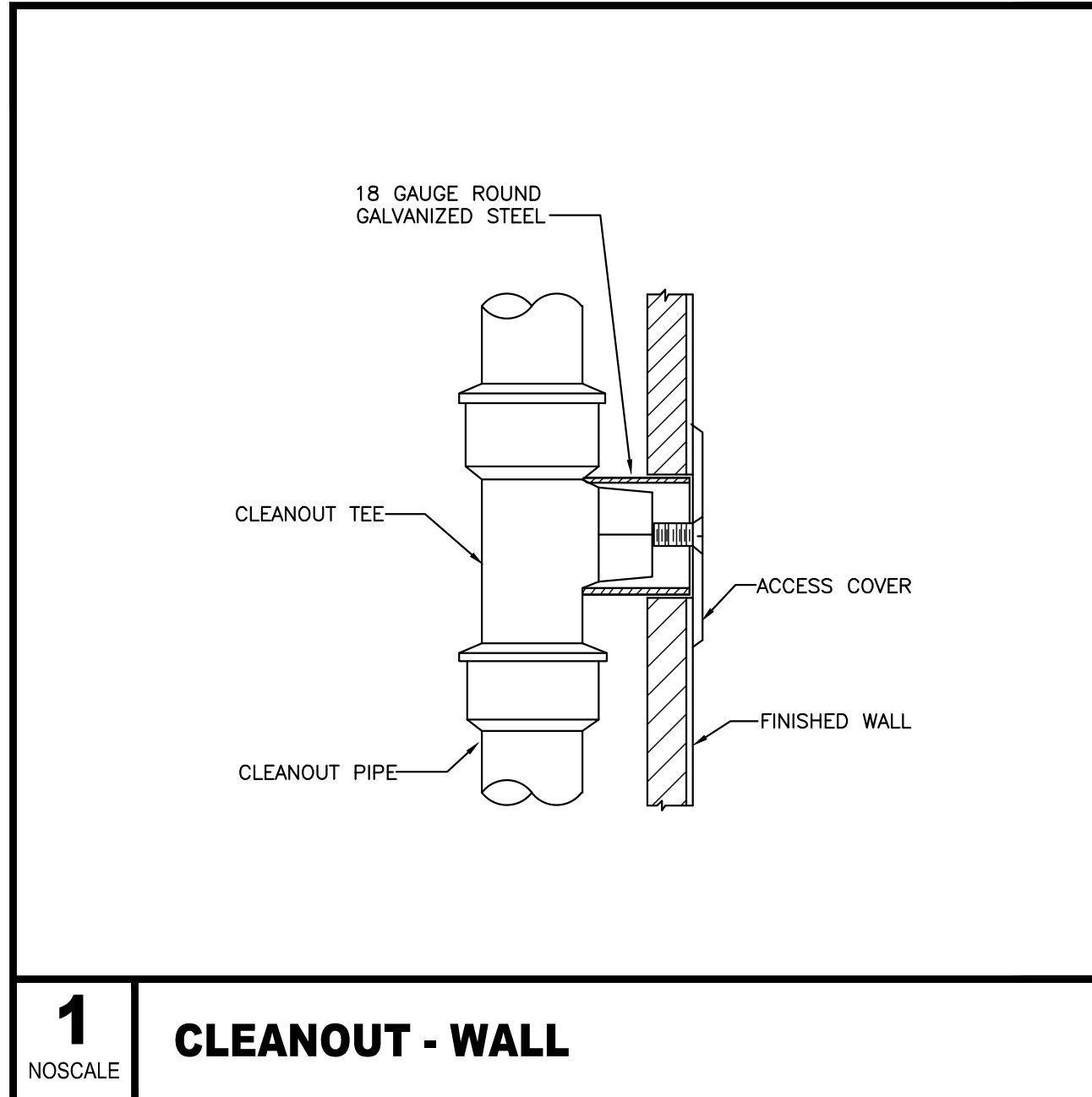


MARK		FIXTURE TYPE	MFG	MODEL	MATERIAL	COLOR	SIZE DN	MOUNTING	MFG	MODEL	TRM	MATERIAL	FINISH	DRAIN	P-TRAP	WASTE	VENT	DOW	DHW	REMARKS				
2*FD		2" FLOOR DRAIN	ZURN	Z4158	CI	NB	SEE PLANS	FLOOR												3,7				
EW-1		FREEZE PROOF WATER FOUNTAIN	ELKAY	LK4405	ST	ST		WALL							1 1/2"	2"	1 1/2"	1/2"		11				
LAV-1		ADA LAVATORY	KOHLER	K-2005	VC	WH	20x18	WALL							1 1/4"	2"	1 1/2"	1/2"	1/2"	2,5,8				
LAV-2		LAVATORY	KOHLER	K-2005	VC	WH	20x19	WALL							1 1/4"	2"	1 1/2"	1/2"	1/2"	2,5,9				
HS-1		HAND SINK	KOHLER	K-2005	VC	WH	20x19	WALL							1 1/4"	2"	1 1/2"	1/2"	1/2"	2,5,8				
TG-1		ELASTOMERIC TRAP GUARD	SURE SEAL		EN	ST	SEE PLANS													3				
WC-1		ADA WALL MOUNT WATER CLOSET	KOHLER	K-4325	VC	WH		WALL	SLOAN	8111-1.6/1.1	1.6/1.1	PC	TOILET SEAT	KOHLER	K-4670-CA	PLASTIC	WH			4", 2"	1 1/4"		1,4,8,10	
WC-2		WALL MOUNT WATER CLOSET	KOHLER	K-4325	VC	WH		WALL	SLOAN	8111-1.6/1.1	1.6/1.1	PC	TOILET SEAT	KOHLER	K-4670-CA	PLASTIC	WH						1,4,9,10	
UR-1		ADA URINAL	KOHLER	K-4991-ET	VC	WH	SEE PLANS	WALL	SLOAN	186-1 XL SMO	1	CP								2"	2"	3/4"	8	
UR-2		URINAL	KOHLER	K-4991-ET	VC	WH	SEE PLANS	WALL	SLOAN	186-1 XL SMO	1	CP									2"	2"	3/4"	9
4*RD		4" ROOF DRAIN	ZURN	Z105	ST	ST	4"	ROOF																
4*ORD		4" OVERFLOW ROOF DRAIN	ZURN	Z105	ST	ST	4"	ROOF																
DSN-1		DOWN SPOUT NOZZLE	ZURN	Z199	ST	ST		WALL																
WCD-1		WALL CLEANOUT	ZURN	Z1441	SS	ST	SEE PLANS	WALL																
FCD-1		FINISH CLEANOUT	ZURN	Z1400	ST	ST		FLOOR/GRADE																
ECD-1		END CLEANOUT	ZURN	Z1440	ST	ST		PIPING																

PLUMBING FIXTURE SCHEDULE ABBREVIATIONS	PLUMBING REMARKS	PLUMBING FIXTURE SCHEDULE GENERAL NOTES
ST	STAINLESS STEEL	1. UNLESS OTHERWISE NOTED, PC SHALL PROVIDE, INSTALL, & CONNECT ALL SCHEDULED PLUMBING FIXTURES. INSTALL PER MFG INSTRUCTIONS.
WH	WHITE	2. REFER TO ARCHITECTURAL PLANS & ELEVATIONS FOR INSTALLATION HEIGHTS OF ALL PLUMBING FIXTURES.
CP	CHROME PLATED	3. CARRIERS SHALL BHE PROVIDED & INSTALLED FOR ALL WALL HUNG PLUMBING FIXTURES.
PC	POLISHED CHROME	4. ADA WATER CLOSETS SHALL BE PROVIDED WITH FLUSH LEVER ON THE WIDE SIDE OF THE COMPARTMENT.
NB	NICKEL BRONZE	5. ADA SINKS SHALL BE PROVIDED WITH REAR CENTERED DRAIN OPENINGS.
SS	STAINLESS STEEL	6. ADA SINKS NOT PROTECTED BY AN ARCHITECTURAL SKIRT PANEL SHALL BE PROVIDED WITH UNDERSINK PIPING COVERS EQUAL TO TRUEBERO LAVGUARD 2.
CI	CAST IRON	7. UNLESS OTHERWISE NOTED, PIPING CONNECTION SIZES OF ALL FLOOR DRAINS, FLOOR SINKS, & CLEANOUTS SHALL MATCH PIPING RUNOUT SIZE SHOWN ON PLANS.
BR	BRASS	8. SINK TO BE PROVIDED WITH 6" RADIUS GOOSENECK FAUCET, 4" BLADE HANDLES, AND VANDAL RESISTANT 1.5 GPM DRAIN.
VC	VITREOUS CHINA	
MS	MOLDED STONE	
BSS	BRUSHED STAINLESS STEEL	
CS	GALVANIZED STEEL	
EN	ELASTOMERIC NEOPRENE	

MARK		MANUFACTURER	MODEL	TYPE	LOCATION	MINIMUM CAPACITY	MOTOR DATA	REMARKS			
						GPM	HEAD (FT)	VOLTS			
								PHASE			
								HP			
RCP-1	BELL & GOSSET	LR-158	IN-LINE	MECH RM		4	10	120	1	1/2	1

REMARKS:  
1. PROVIDE AND INSTALL PUMP WITH ISOLATION VALVES ON EITHER SIDE OF PUMP.  
2. PUMP SHALL HAVE A BRONZE BODY AND MUST BE APPLICABLE FOR DOMESTIC WATER USE.  
3. PROVIDE AQUASTAT WITH PUMP AND COORDINATE WITH ELECTRICAL CONTRACTOR.



©2018 MKEC Engineering All Rights Reserved. These drawings and their contents, including, but not limited to, all concepts, designs, & notes are the exclusive property of MKEC Engineering (MKEC), and may not be used or reproduced in any way without the express consent of MKEC.

**PLUMBING DETAILS & SCHEDULES**

PROJECT NO.	1701010567	
DATE	03-07-18	
SCALE	AS NOTED	
DESIGNED	DRAWN	CHECKED
CJK	CJK	RLB

NO.	REVISION	DATE