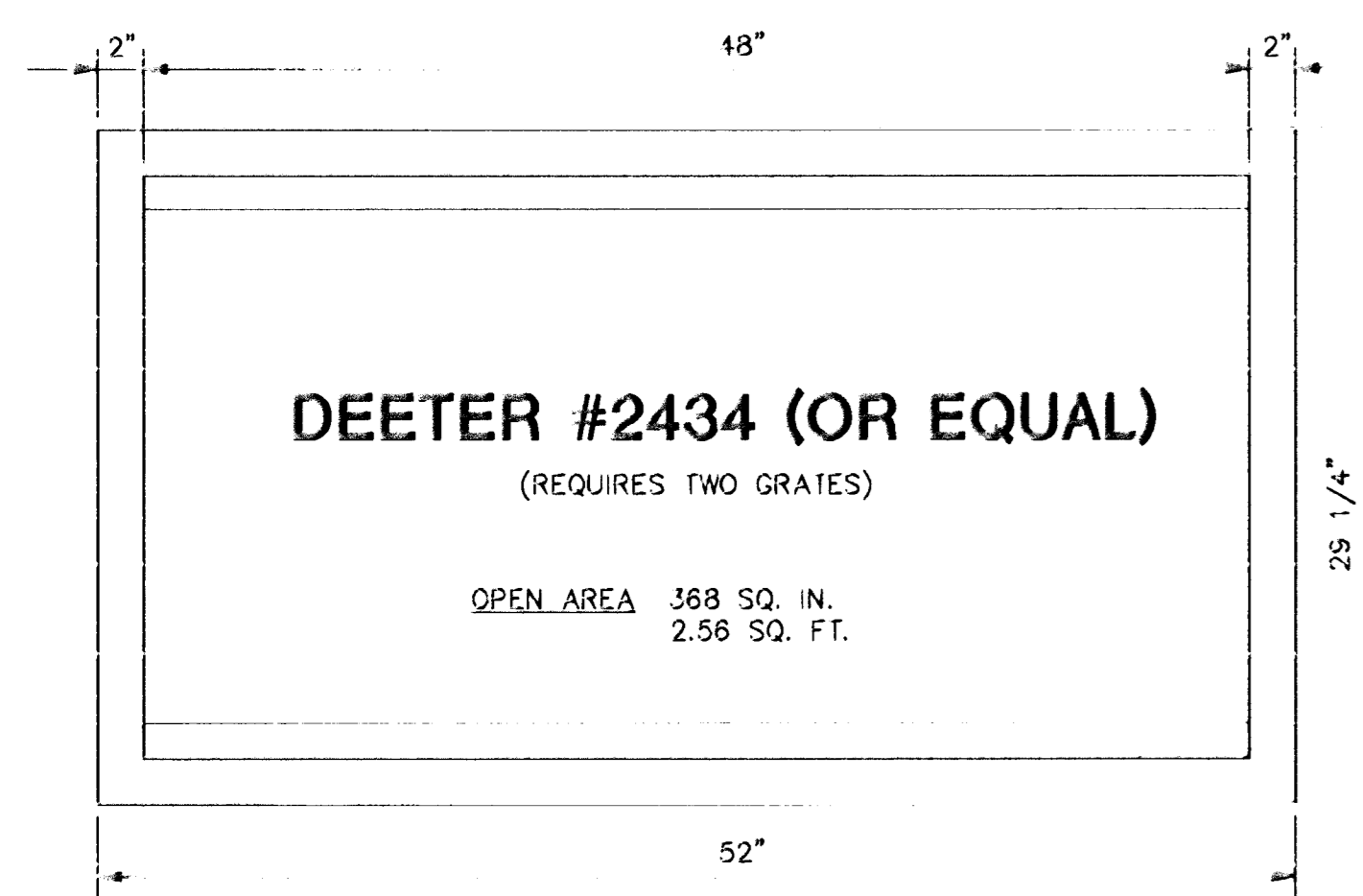
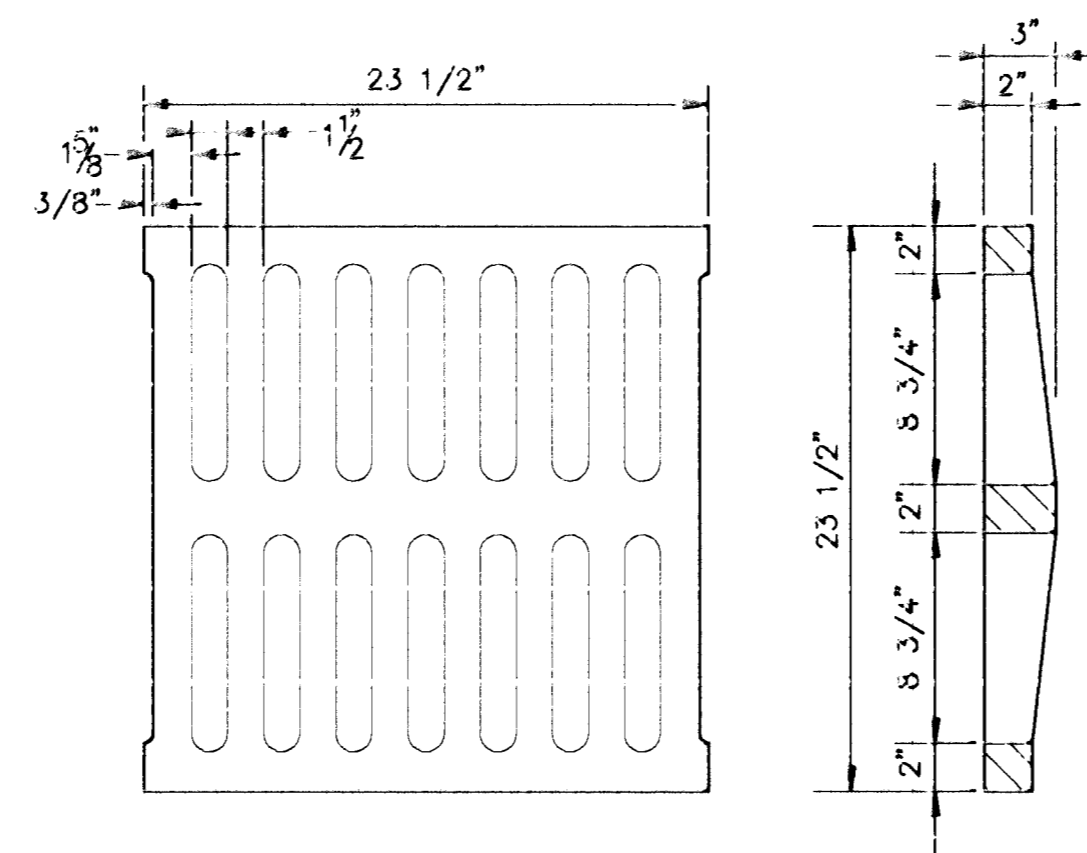
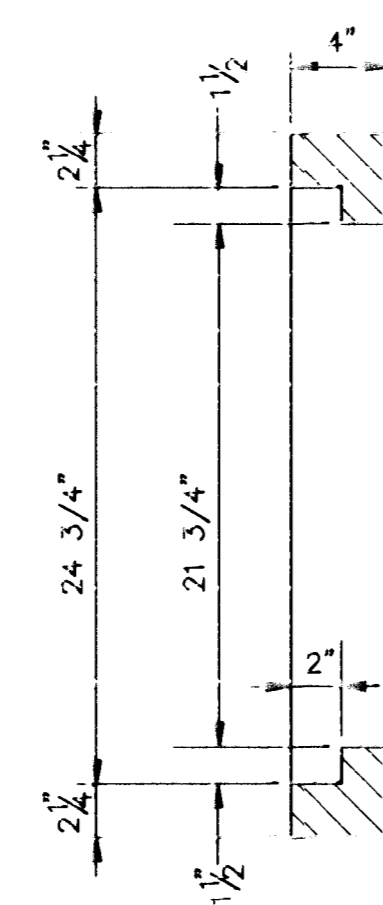


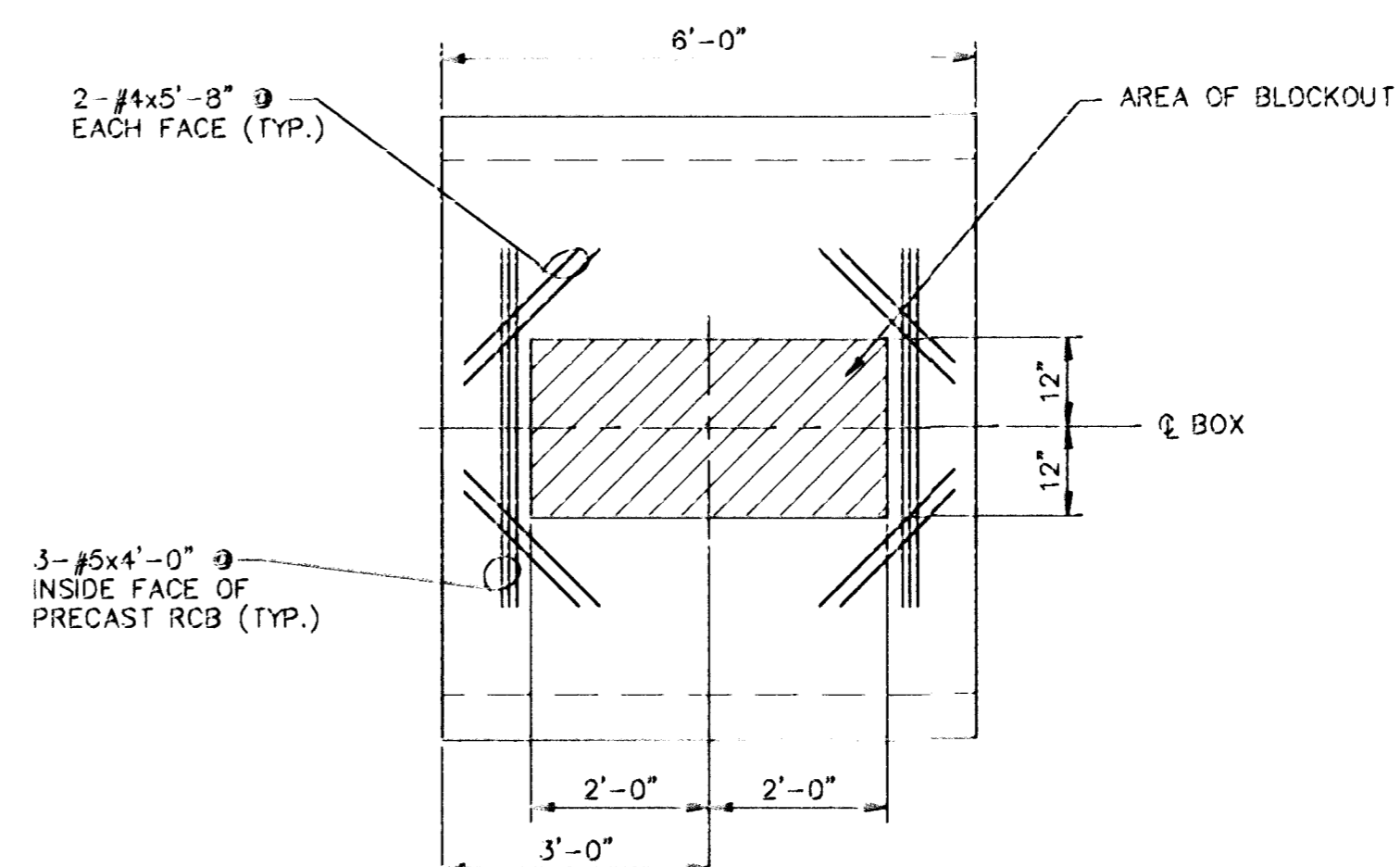
NOTE: GRATES SHALL BE IMPRINTED ON THE TOP SURFACE WITH "CITY OF WICHITA" USING LETTERS AT LEAST 1" IN HEIGHT. OTHER MARKING METHODS MAY BE USED ONLY IF APPROVED BY THE ENGINEER.



DOUBLE 24"x24" FRAME DETAIL



GRATE
24"x24" FRAME & GRATE DETAIL



DROP INLET BLOCKOUT PATTERN
STA. 19+00.00 (21ST ST.) LINE 2
STA. 41+43.00 (WEBB RD.) LINE 1
STA. 42+99.00 (WEBB RD.) LINE 1

ORIFICE EQUATION		
h (DEPTH)	Q=CA / √2gh	C=0.60
0.1	1.95 cfs	3.89 cfs
0.2	2.75 cfs	5.50 cfs
0.3	3.37 cfs	6.74 cfs
0.4	3.89 cfs	7.78 cfs
0.5	4.35 cfs	8.70 cfs
0.6	4.77 cfs	9.53 cfs
0.7	5.15 cfs	10.30 cfs
0.8	5.50 cfs	11.01 cfs
0.9	5.84 cfs	11.67 cfs
1.0	6.15 cfs	12.30 cfs

REVISED: 5-8-90 JNJ

DROP INLET DETAILS

PROJECT NO. 87-U-1362-01		SEDGWICK CO.	
CITY OF WICHITA, KANSAS			
Design C.O.W.	Checked by	Checked by	
Drawn by	Date	Date	Job No.