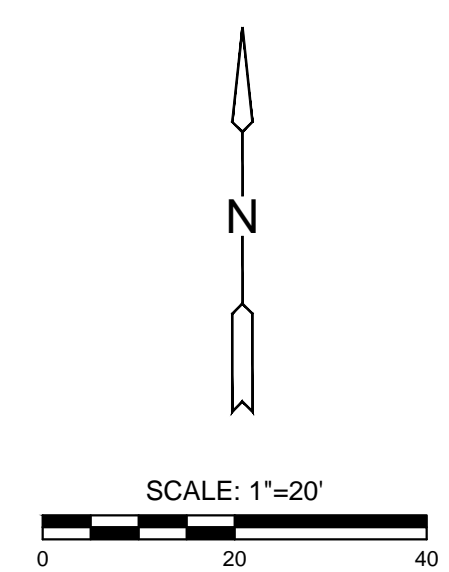
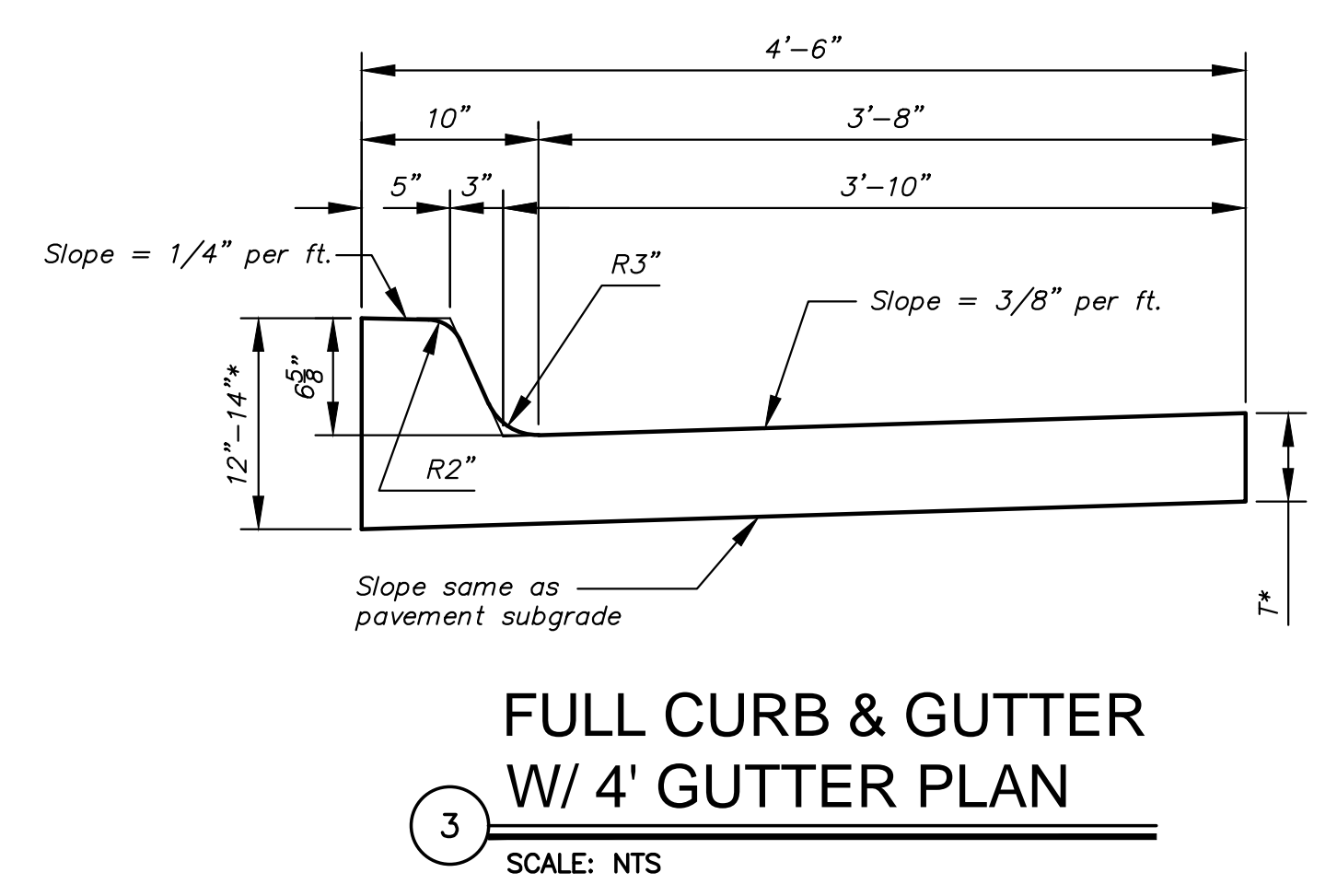
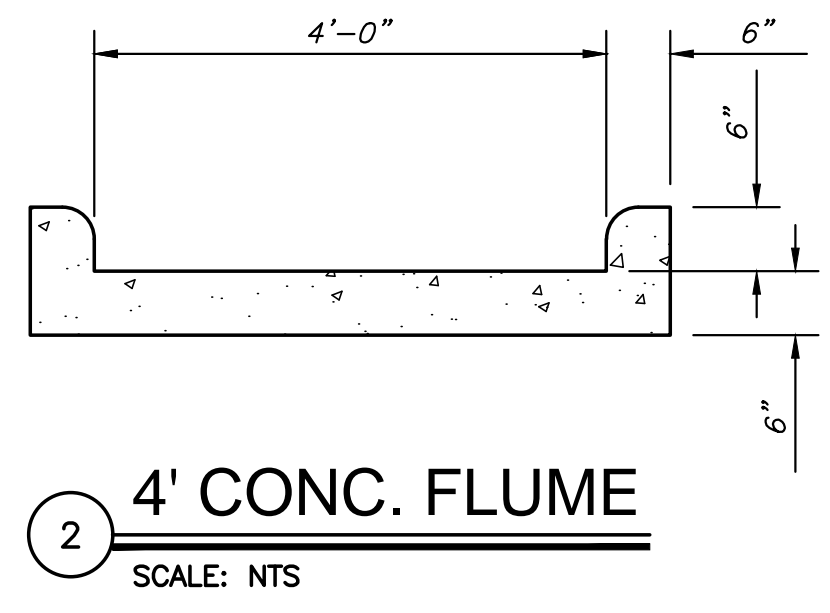
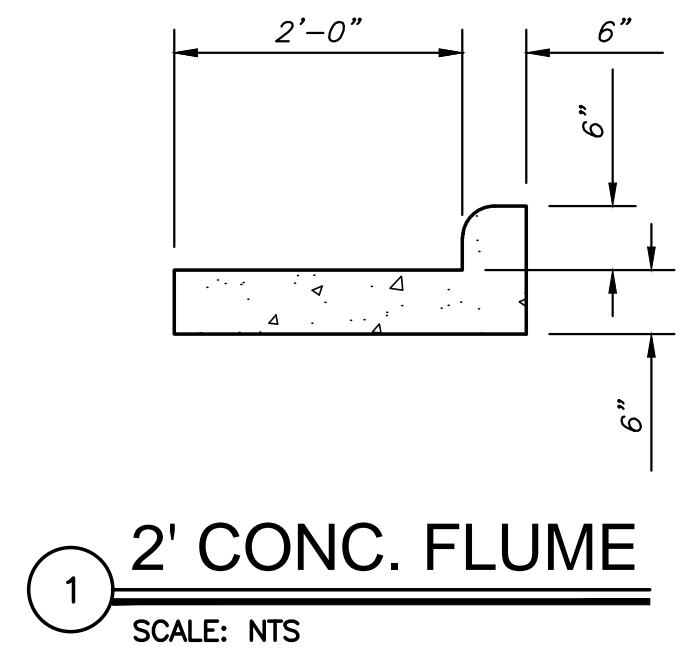
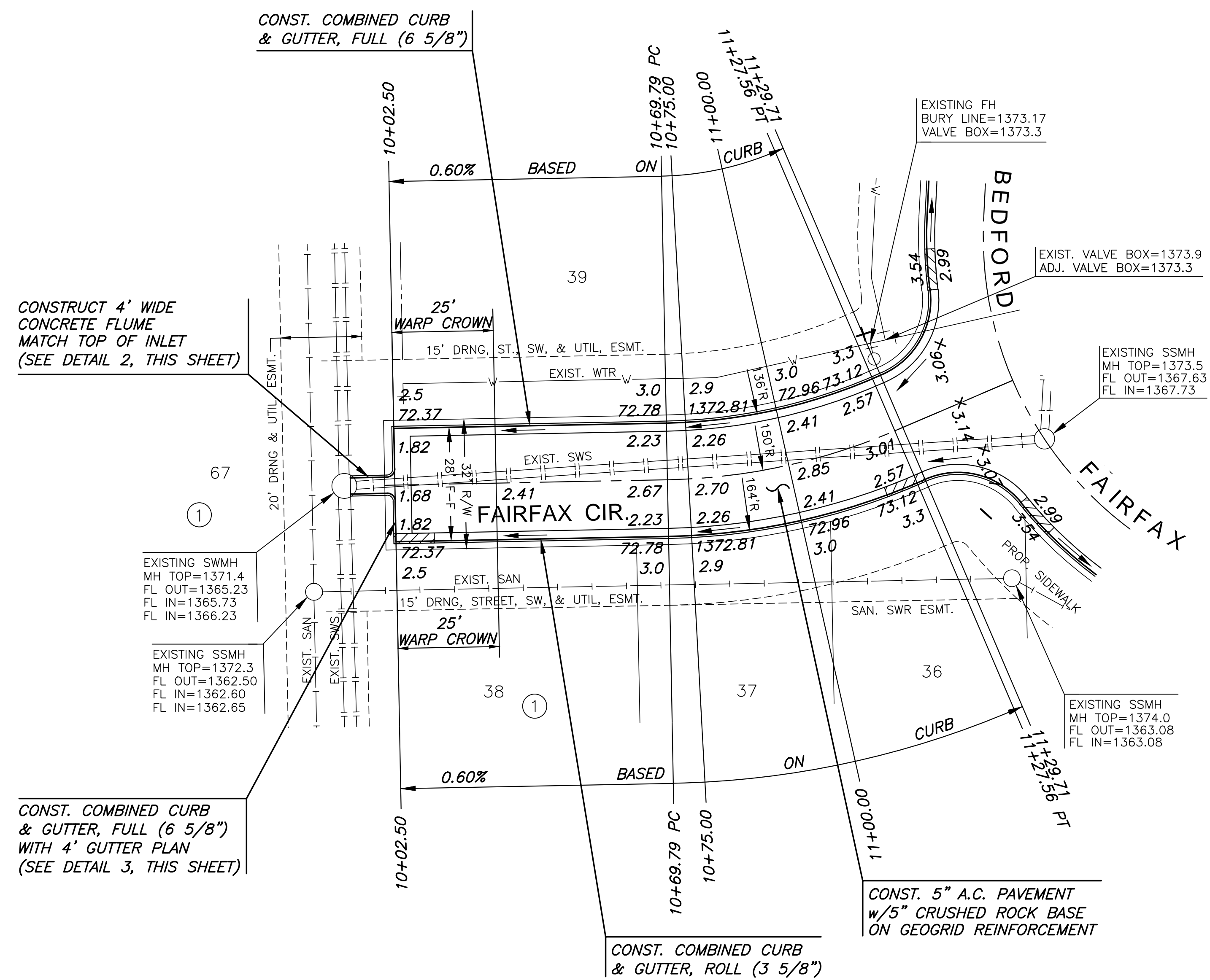


PLOTTED: Tuesday, April 03, 2018 @ 11:07AM


J:\PROJECTS\2018\1601010317 - PERFECTION COURTYARDS AT BROOKFIELD, 16317 CAD\SHS\06 CIVIL\PAV\16317-EP-03.DWG

PAVING PLANS FOR  
**COURTYARDS AT BROOKFIELD ADD.**  
PHASE 1



**LEGEND**

—+ STREET SIGN & SIGN LOCATION (SEE SIGN ASSEMBLY TABLE FOR TYPE & STATION OF SIGN)

 5' TRANSITION FROM FULL TO ROLL CURB

**NOTE:**  
TOP OF CURB ELEVATIONS SHOWN ARE FOR FULL CURB. CONSTRUCT CURB AND GUTTER AS NOTED.

©2018 MKEC Engineering All Rights Reserved www.mkec.com  
These drawings and their contents, including, but not limited to, all concepts, designs, & ideas are the exclusive property of MKEC Engineering (MKEC), and may not be used or reproduced in any way without the express consent of MKEC.

**FAIRFAX CIR.**

PROJECT NO.	472-85418	
DATE	APRIL 2018	
SCALE	1" = 20'	
DESIGNED	DRAWN	CHECKED
DFL	JWC	GJA

NO.	REVISION	DATE