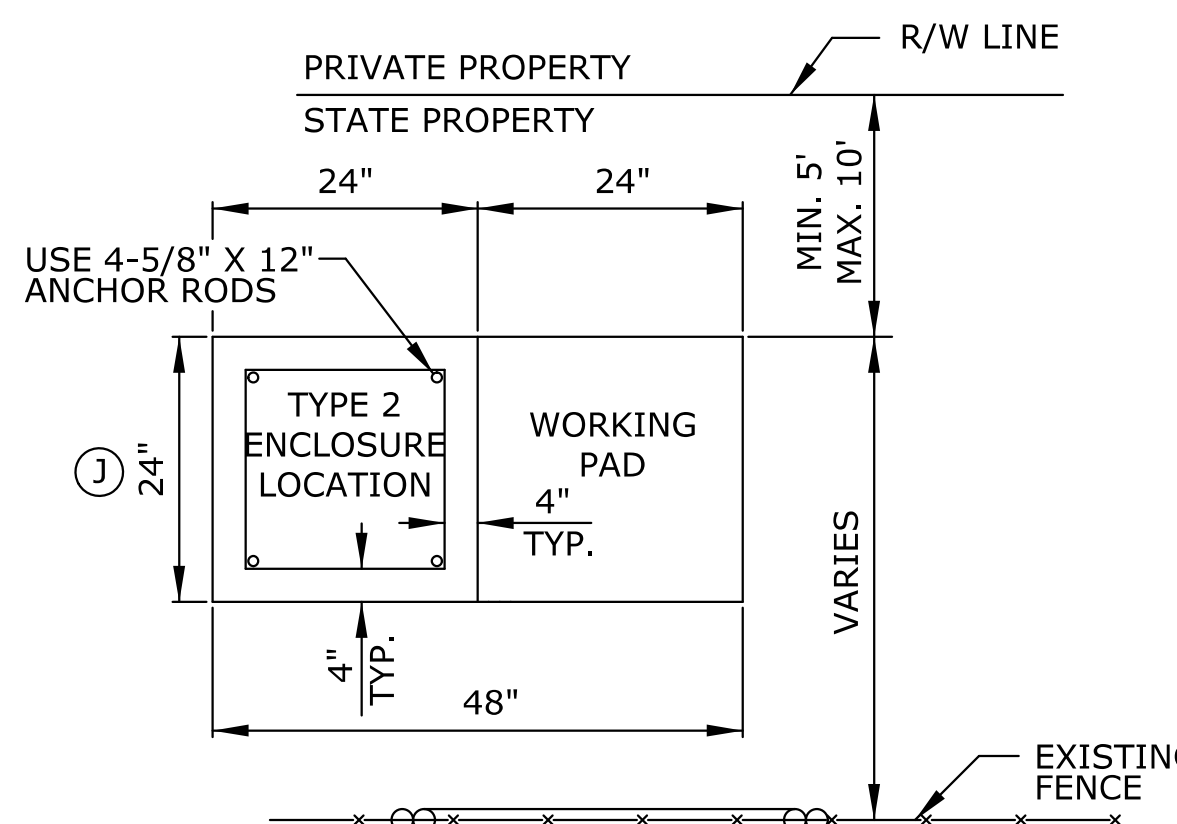
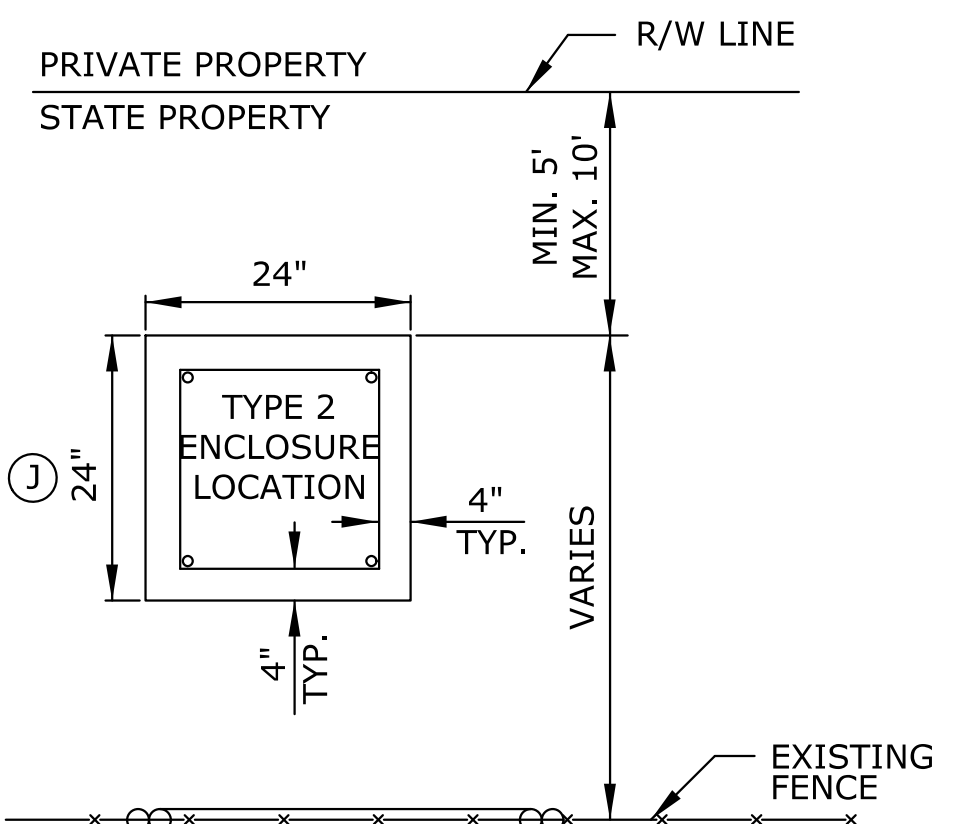


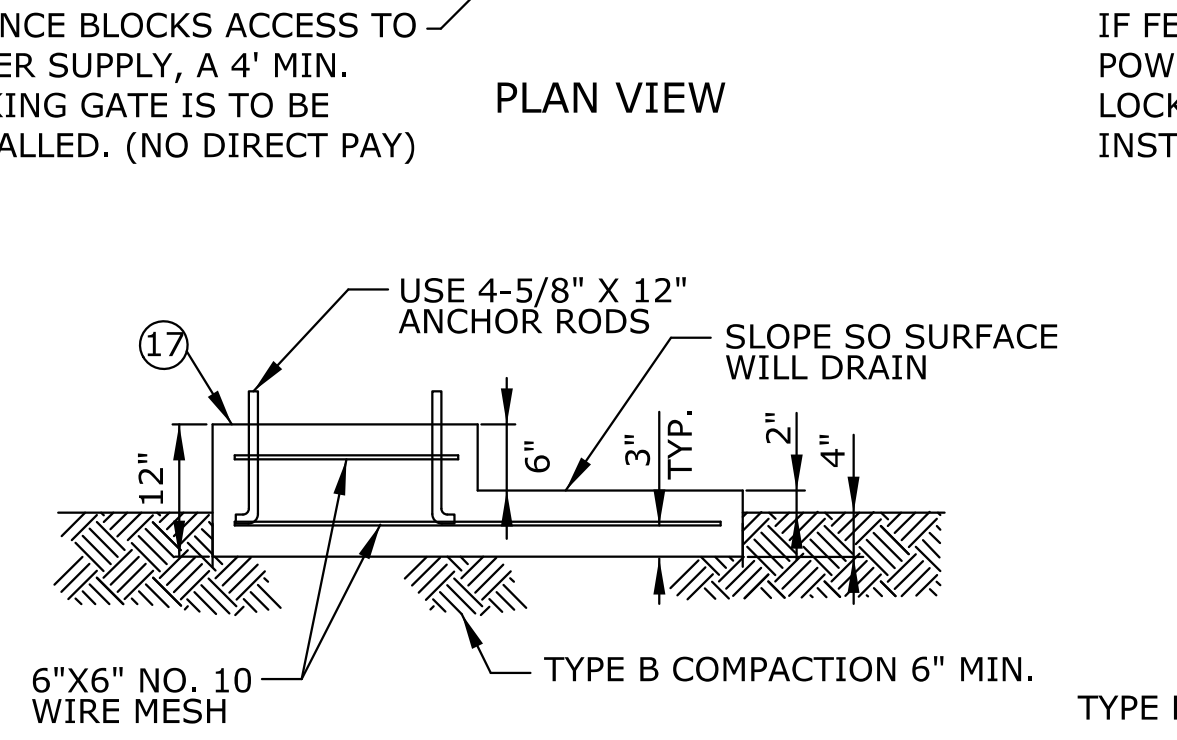
STATE	PROJECT NO.	YEAR	SHEET NO.	TOTAL SHEETS
KANSAS	87 N-0673-01	2017	62	99



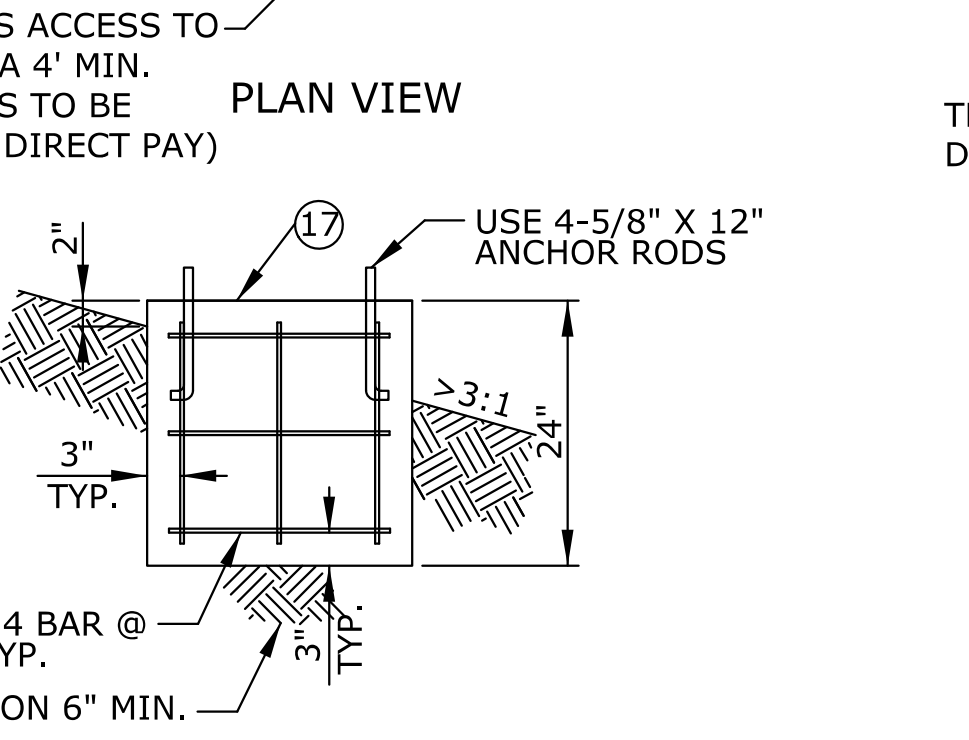
PLAN VIEW



PLAN VIEW



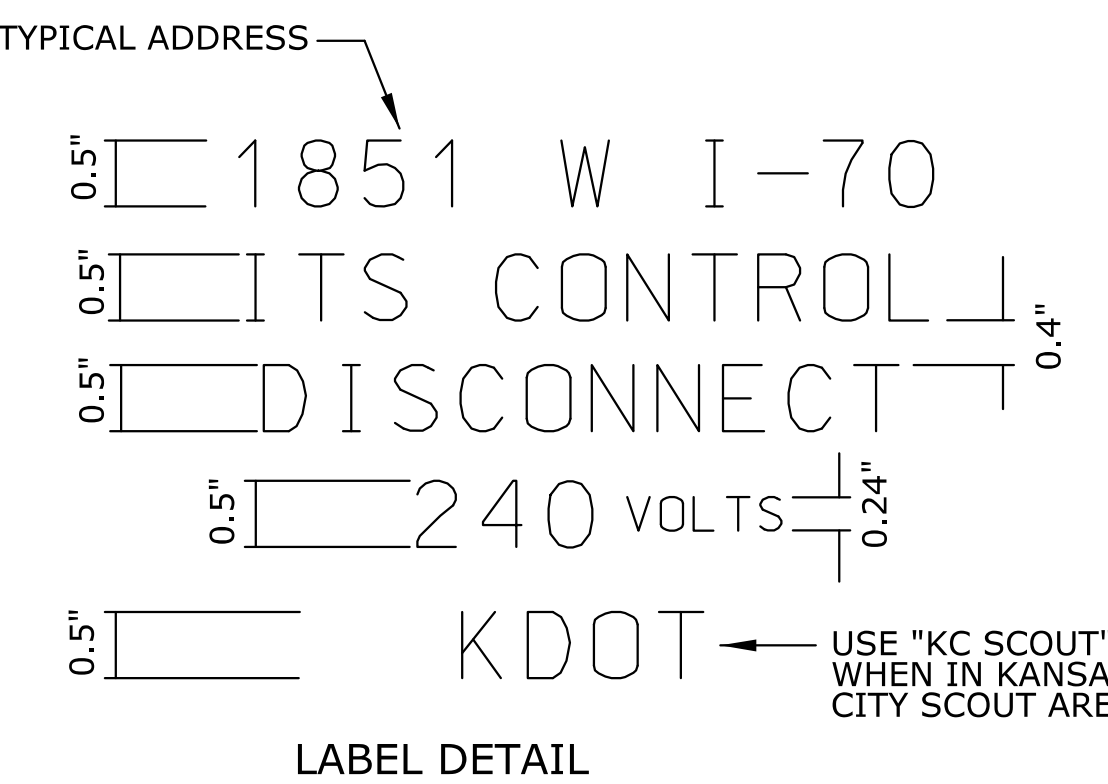
SIDE VIEW



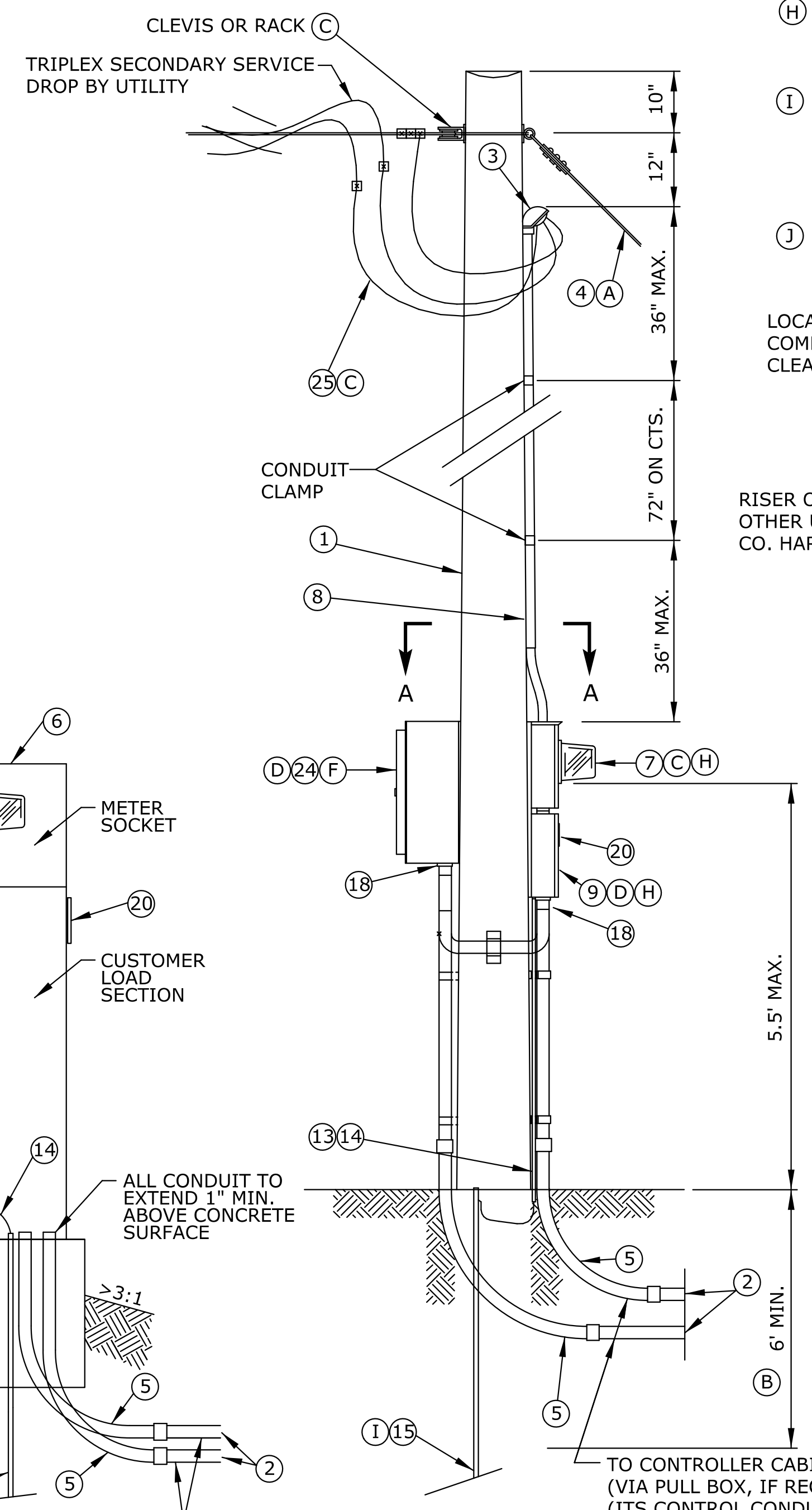
SIDE VIEW

TYPE 2 ENCLOSURE PAD

TYPE 2 ENCLOSURE PAD WITH SLOPED GRADE



LABEL DETAIL

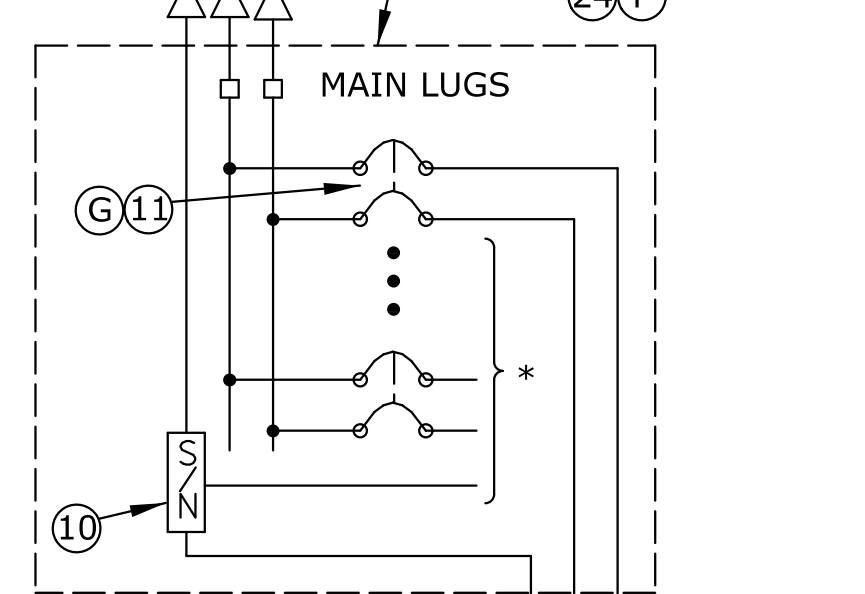
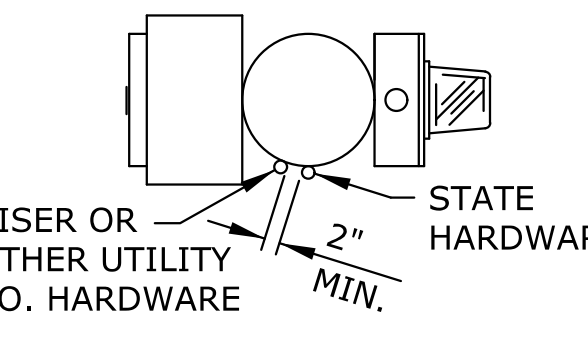


SECTION A-A

- NOTES:
- (A) SERVICE POLE SHALL BE GUYED WHEN SPAN OF OVERHEAD SERVICE WIRE EXCEEDS 49 FT.
 - (B) INCREASE 1 FT FOR EACH 5 FT ABOVE 30 FT.
 - (C) METER SOCKET AND OTHER EQUIPMENT AND MATERIALS SHALL BE U.L. APPROVED, AND CONFORM TO THE REQUIREMENTS OF THE UTILITY COMPANY OR MUNICIPALITY PROVIDING POWER.
 - (D) SCHEMATIC DIAGRAM SHALL BE MOUNTED ON INSIDE OF CABINET DOOR.
 - (E) (NOT USED)
 - (F) IF MULTIPLE CIRCUITS ARE SPECIFIED, INSTALL CB PANEL ON POWER SUPPLY.
 - (G) CIRCUIT BREAKERS IN THE CIRCUIT BREAKER PANEL SHALL BE PLUG-IN TYPE.
 - (H) SERVICE DISCONNECT BOXES AND METER BOXES SHALL BE ALUMINUM OR STAINLESS STEEL. ALL HARDWARE, HINGES, CATCHES, ETC. SHALL BE STAINLESS STEEL.
 - (I) IF SUBSURFACE CONDITIONS EXIST WHICH PROHIBIT THE PLACEMENT OF THE GROUND ROD IN A VERTICAL POSITION, THE ROD MAY BE DRIVEN AT AN OBLIQUE ANGLE NOT TO EXCEED 45 DEGREES FROM VERTICAL OR BURIED IN A TRENCH AT LEAST 2.5 FT DEEP. CONNECTION TO GROUND ROD SHALL BE WELDED.
 - (J) INCREASE FOUNDATION WIDTH TO 33 INCHES WHEN INSTALLING A TRANSFORMER TO THE SIDE OF ENCLOSURE.

LOCATION OF FACILITIES SHALL COMPLY WITH UTILITY COMPANY CLEARANCE STANDARDS

CB PANEL (AT POWER SUPPLY ASSEMBLY 12 CKT. NEMA 4X)



* - AS REQ'D. PER PLANS & POWER SERVICE TABLE

TO SERVICE DISCONNECT BOX

TO ITS CONTROLLER POWER PANEL (VIA CB PANEL, IF REQ'D.)

TO SERVICE DISCONNECT BOX (VIA CB PANEL, IF REQ'D.)

TO ITS CONTROLLER POWER PANEL (VIA CB PANEL, IF REQ'D.)

FROM SERVICE DISCONNECT BOX (VIA CB PANEL, IF REQ'D.)

TO CONTROLLER CABINET (VIA PULL BOX, IF REQ'D.) (ITS CONTROL CONDUIT SYSTEM)

POWER SUPPLY (-PS)

CONTROLLER ENCLOSURE POWER PANEL (-CA)

WIRING DIAGRAM - ITS CONTROL

LIST OF MATERIALS	
ITEM	DESCRIPTION
1	SERVICE POLE 32.8' MIN., CLASS 4 OR 5 WOOD, CONTRACTOR PROVIDED, STATE OWNED *
2	CABLE, POWER *
3	SERVICE ENTRANCE CAP, FOR CONDUIT
4	GUY CABLE, AS REQUIRED (A)
5	CONDUIT, RIGID, 2" * MIN., WITH PREFORMED ELBOWS
6	TYPE 2 ENCLOSURE, SEE TE 202
7	METER SOCKET, 200 AMP, FOR ITS CONTROLS (C)(H)
8	CONDUIT, RIGID, 2" * MIN.
9	SERVICE DISCONNECT BOX, LOCKABLE, RAIN-TIGHT, NEMA 4 (D)(F)
10	INSULATED, GROUNDABLE NEUTRAL, 200 AMP MIN.
11	BREAKER, SIZE AND POLE, PER POWER SERVICE TABLE (G)
12	(NOT USED)
13	METAL CONDUIT, 0.5" *
14	GROUND WIRE, 2 AWG MIN.
15	GROUND ROD, 3/4" X 10' MIN.
16	(NOT USED)
17	CONCRETE, KDOT GRADE 4.0 ON-GRADE
18	CONDUIT HUB, THREADED WITH SEALING WASHERS
19	(NOT USED)
20	PHENOLIC PLATE, WHITE WITH BLACK LETTERING
21	(NOT USED)
22	(NOT USED)
23	(NOT USED)
24	NEMA 4, 12 CKT, MAIN LUGS, LOCKABLE, SS ENCLOSURE (F)
25	CABLE, 2 AWG MIN., 600 VOLT (C)

* - SEE PLANS

GENERAL NOTES:

1. FOR CABLE TYPES AND INSTALLATION, SEE STANDARD SPECIFICATIONS.
2. THE TYPE OF POWER SUPPLY ASSEMBLY IS SHOWN ON THE PLANS OR IS DESIGNATED IN THE CONTRACT.
3. ALL WORK AND ITEMS SHALL MEET NATIONAL ELECTRICAL CODE, NATIONAL ELECTRICAL SAFETY CODE AND NATIONAL ELECTRICAL MANUFACTURERS ASSOCIATION STANDARDS.
4. WHERE CB PANEL IS NOT DESIGNATED, OMIT ITEMS NOT REQUIRED.
5. ALL OPENINGS IN ANY SERVICE BOX OR METER BOX SHALL BE COVERED THEN SEALED WITH 50 YEAR SILICONE CAULK.
6. ALL MATERIALS REQUIRED EXCLUDING REFERENCE ITEMS AS SHOWN ON DRAWING SHALL BE INCLUDED IN PRICE BID FOR POWER SUPPLY ASSEMBLY.
7. UTILITY COMPANY SHALL DECIDE IF LIGHTNING ARRESTERS ARE TO BE CONNECTED ON THE LOAD OR LINE SIDE OF THE METER. THE UTILITY COMPANY SHALL ALSO DECIDE IF THE LIGHTNING ARRESTER IS TERMINATED IN THE METER OR DISCONNECT CABINET. IF TERMINATED IN THE DISCONNECT CABINET, IT SHALL BE INSTALLED ON THE DISCONNECT CABINET.
8. FOR SINGLE CIRCUIT CONTROLLER ASSEMBLY FEED, ROUTE CONDUIT FROM DISCONNECT BOX; MULTIPLE CIRCUITS FROM FEEDER BREAKER PANEL ENCLOSURE.

NO.	DATE	REVISIONS	BY	APP'D

KANSAS DEPARTMENT OF TRANSPORTATION			
FIELD POWER SUPPLY ASSEMBLY DETAILS			
ITS-DII		VERSION DATE: 05-29-17	
APP'D	DESIGNED	QUANTITIES	TRACED
DESIGNED CK.	DETAIL CK.	QUAN. CK.	TRACE CK.

Plotted : 14-NOV-2017 10:55
 Drawn By : examples
 File : ITS-D11.dgn

TYPE 2 (PEDESTAL)
 USE WITH TE 202 TYPICAL ENCLOSURE DETAILS

TYPE 2 (PEDESTAL) WITH SLOPED GRADE
 USE WITH TE 202 TYPICAL ENCLOSURE DETAILS

TYPE 1 (POLE) OVERHEAD SERVICE

WIRING DIAGRAM - ITS CONTROL