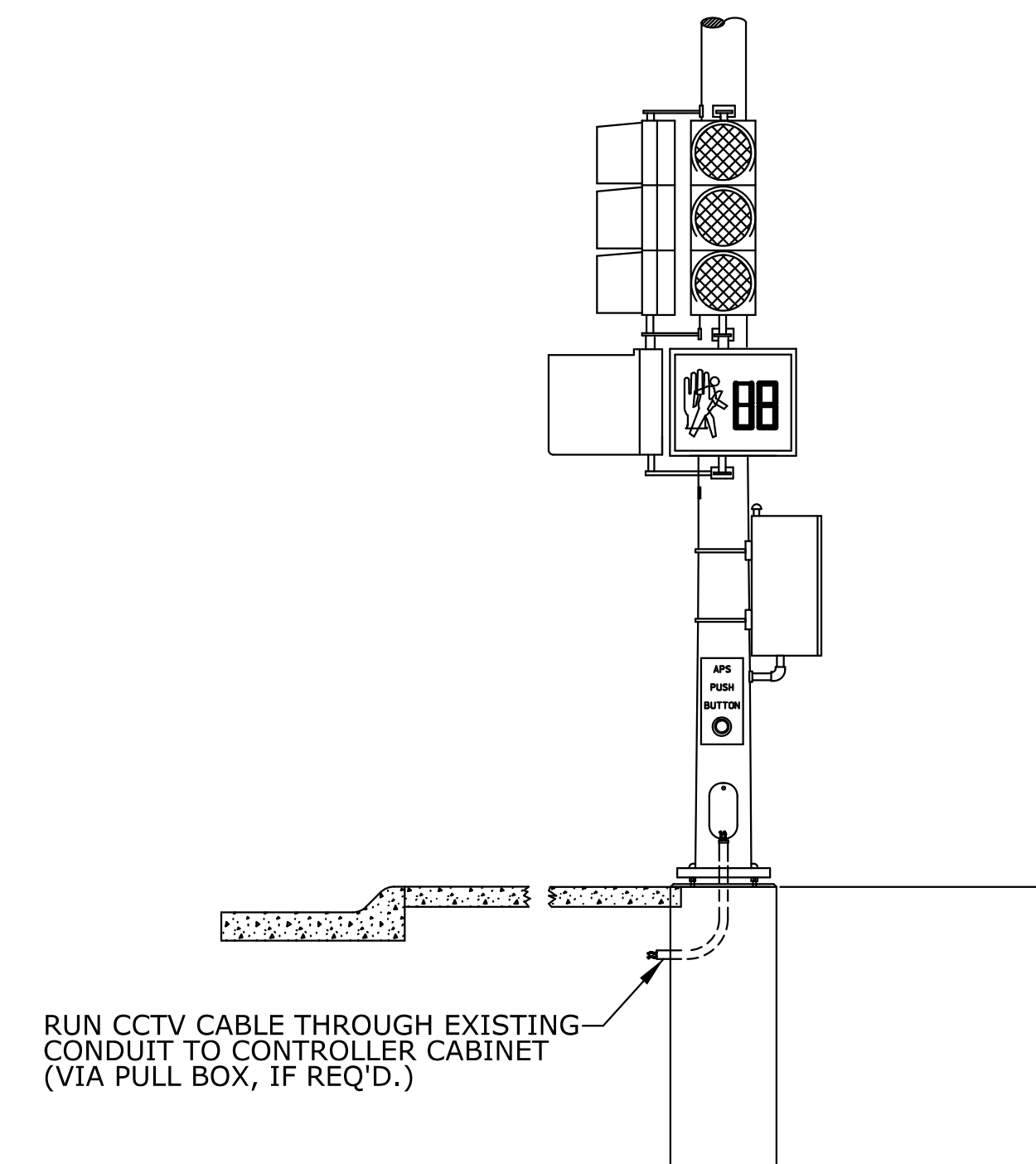
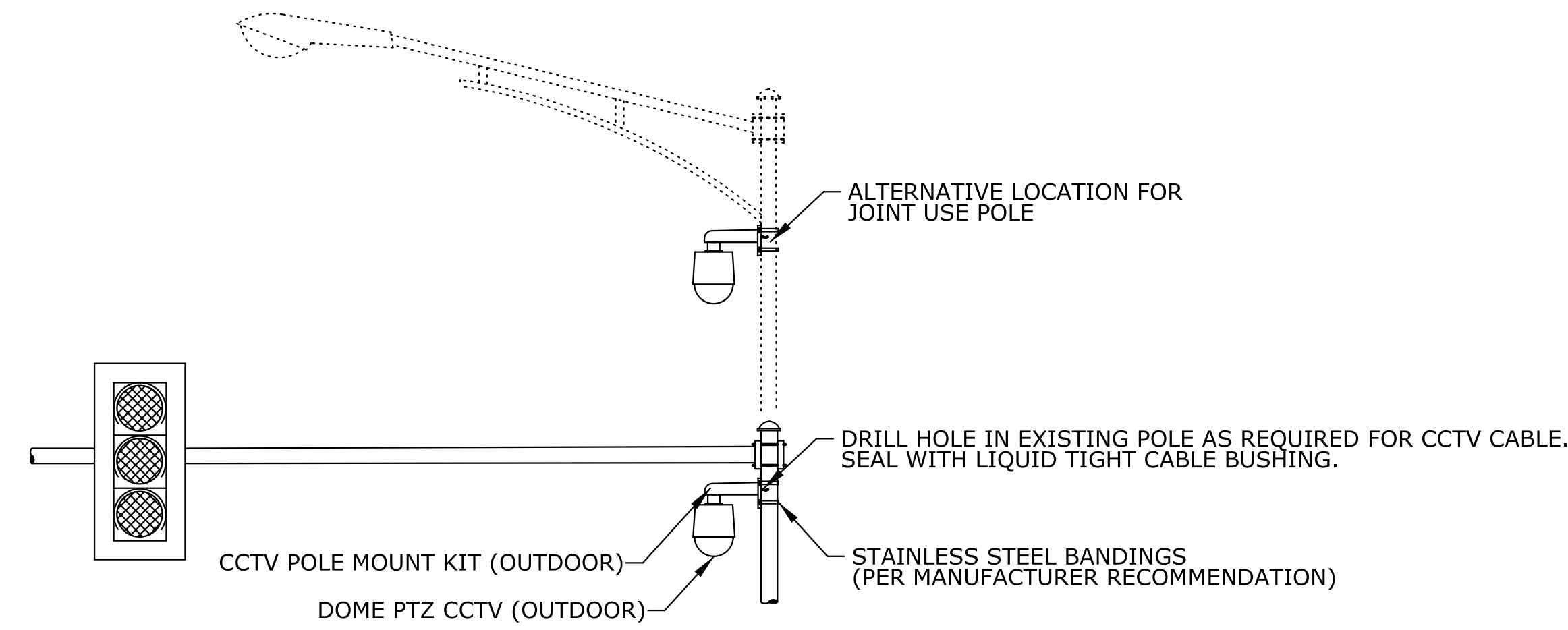


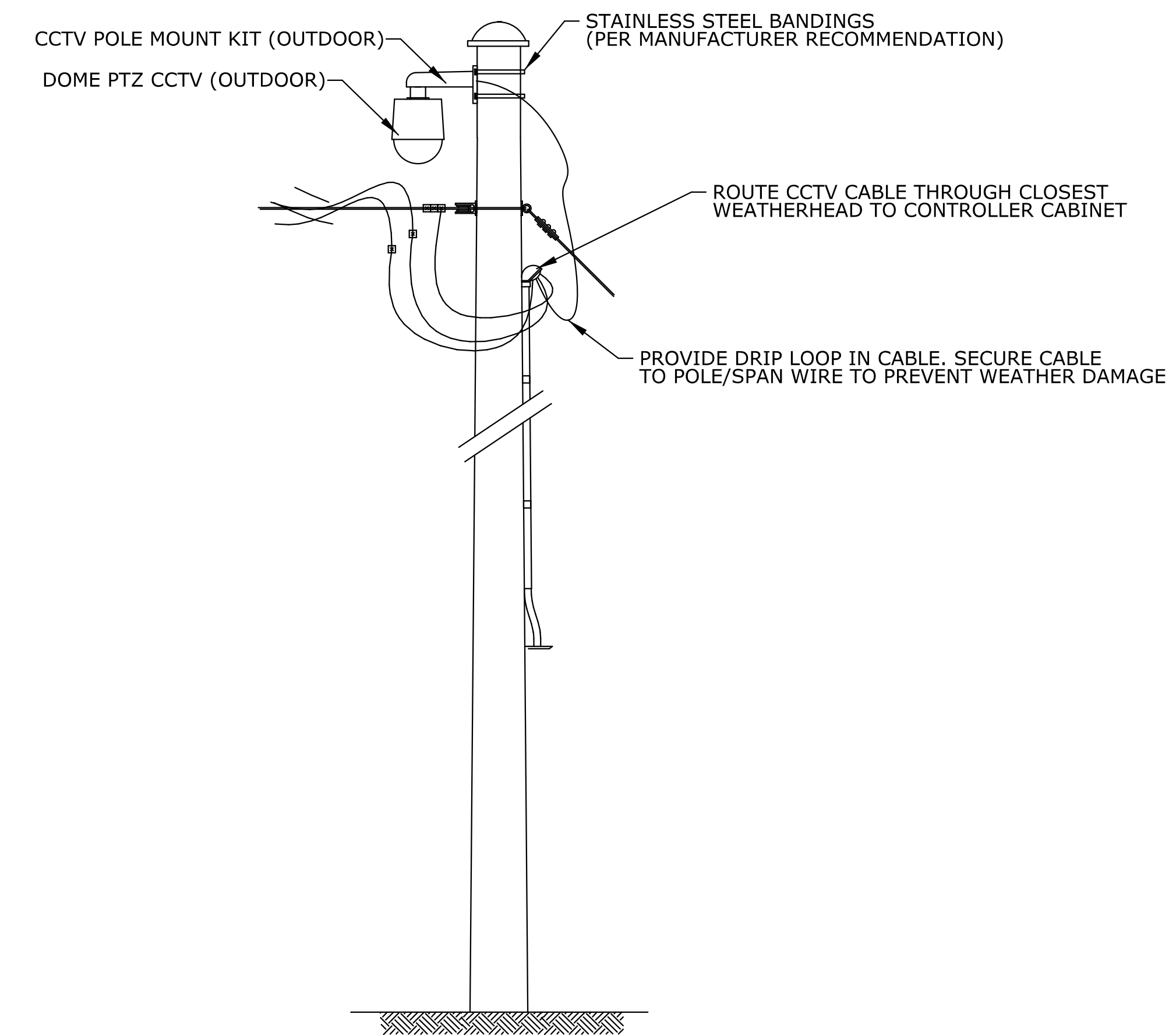
STATE	PROJECT NO.	YEAR	SHEET NO.	TOTAL SHEETS
KANSAS	87 N-0673-01	2017	66	99

GENERAL NOTES:

1. MOUNT CCTV CAMERA PER MANUFACTURES RECOMMENDATIONS FOR OUTDOOR USE.
2. CAMERA SHALL BE MOUNTED AT HIGHEST PRACTICAL LOCATION WITHOUT INTERFERING WITH CAMERA VIEW.
3. PROVIDE ALL WORK IN ACCORDANCE WITH THE PROJECT SPECIFICATIONS.
4. CCTV CAMERA DETAIL APPLIES TO BOTH CONCRETE AND METAL POLES.
5. THE EXACT LOCATION OF ALL EQUIPMENT SHALL BE VERIFIED IN THE FIELD WITH THE ENGINEER PRIOR TO INSTALLATION.
6. SEE CCTV ORIENTATION ON SITE PLAN SHEET FOR SITE SPECIFIC ORIENTATION.



CCTV MOUNTING DETAIL
MAST ARM



CCTV MOUNTING DETAIL
SIGNAL POLE WITH SPAN WIRE

DATE	BY	REFERENCES NOTED	REFERENCES CHECKED

Drawn By : examples
 File : c:\transystems\pw_local\transyscorp-pw\lccbank\0521528\C-SIG-M01-501.dgn
 Plotted : 1/14/2017

KANSAS DEPARTMENT OF TRANSPORTATION
 CCTV EXISTING POLE
 MOUNTING DETAIL