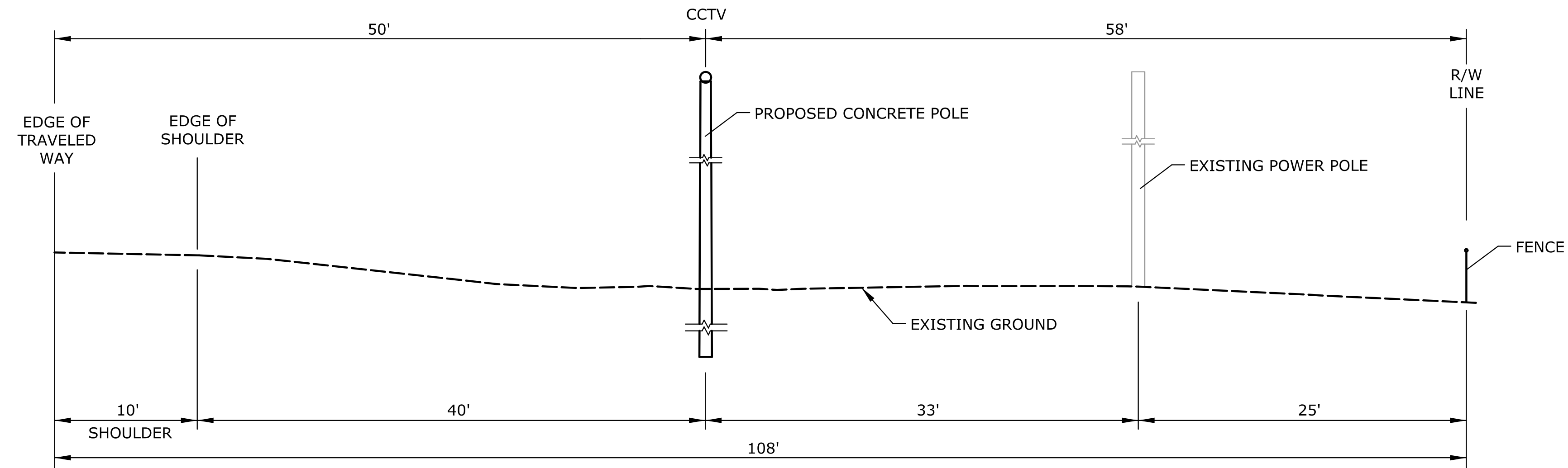
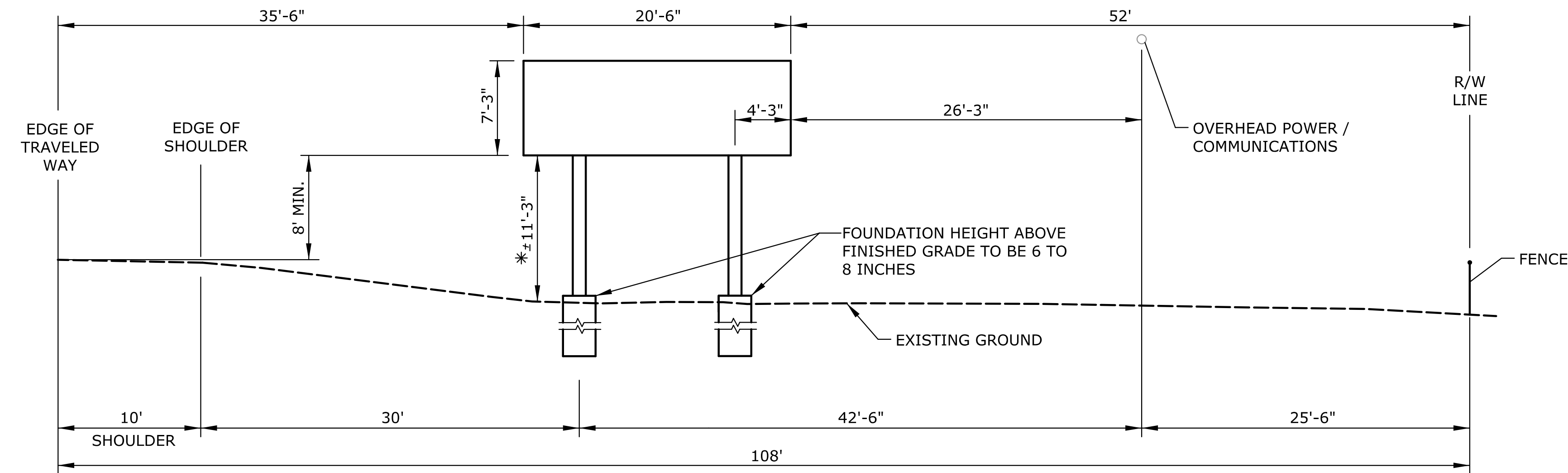


STATE	PROJECT NO.	YEAR	SHEET NO.	TOTAL SHEETS
KANSAS	87 N-0673-01	2017	74	99



CROSS SECTION AT K-15 & MIXING YARD SITE 6  
CONCRETE CCTV POLE



CROSS SECTION AT K-15 & MIXING YARD SITE 6  
TWO POST DMS

\* FOR INFORMATION ONLY (OTHER DIMENSIONS GOVERN)

NOTE:  
DIMENSIONS ARE APPROXIMATE AND MAY VARY SLIGHTLY IN THE FIELD

NO.	DATE	REVISIONS	BY	APP'D

KANSAS DEPARTMENT OF TRANSPORTATION  
ITS CROSS SECTIONS

~~ITS-D18~~ VERSION DATE: 02-28-14

APP'D	DESIGNED	QUANTITIES	TRACED
DESIGN CK.	DETAIL CK.	QUAN. CK.	TRACE CK.

Plotted : 14-NOV-2017 10:56

Drawn By : examples  
File : ITS-D18.dgn