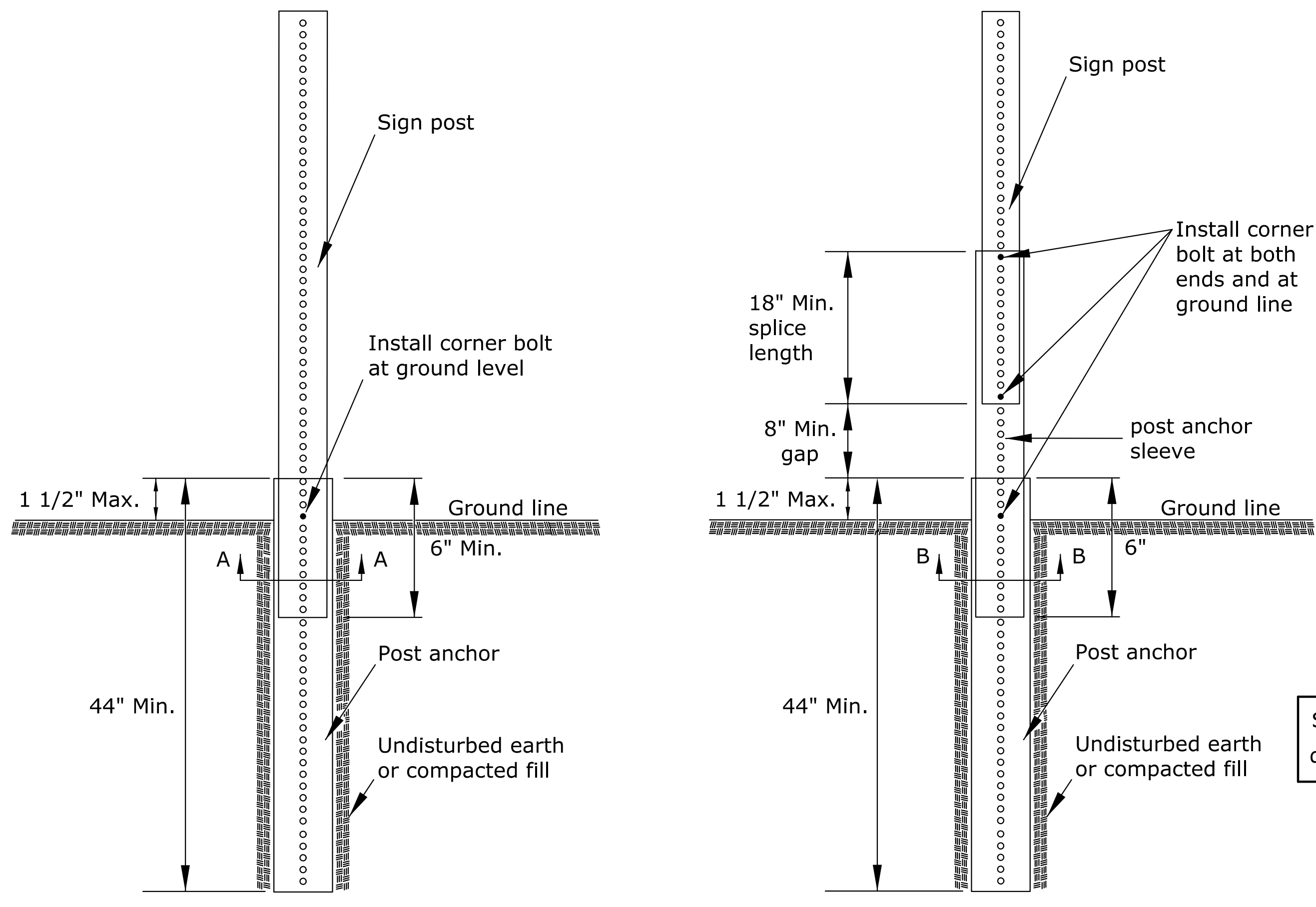
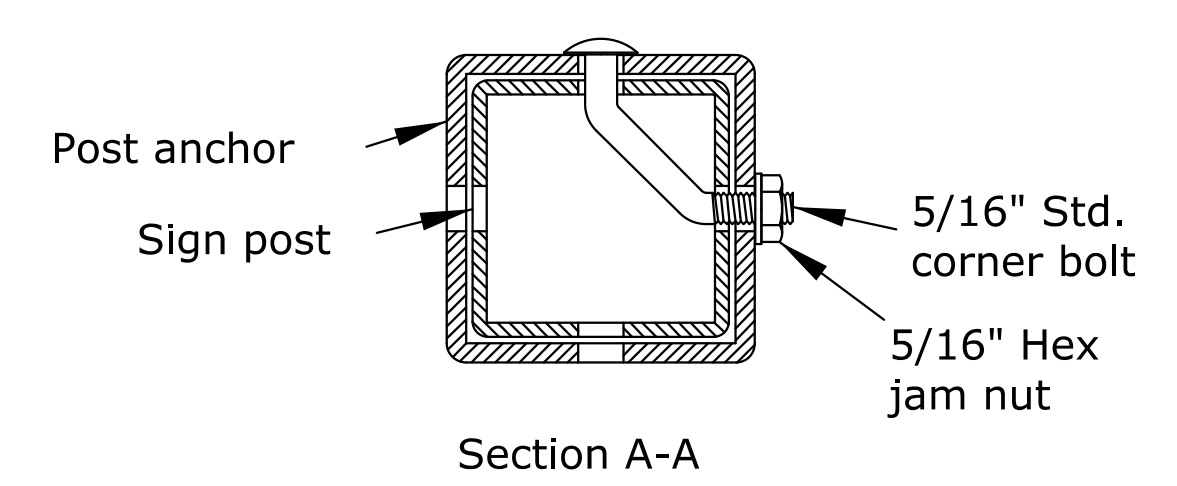


Perforated square steel tube (P.S.S.T.) post setup

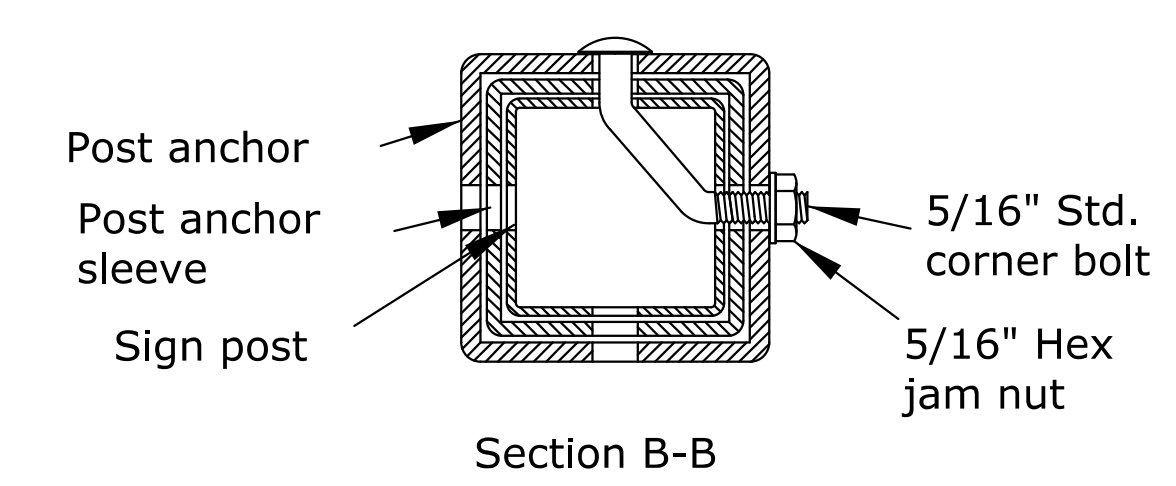


P.S.S.T. detail

Telescoping P.S.S.T. detail



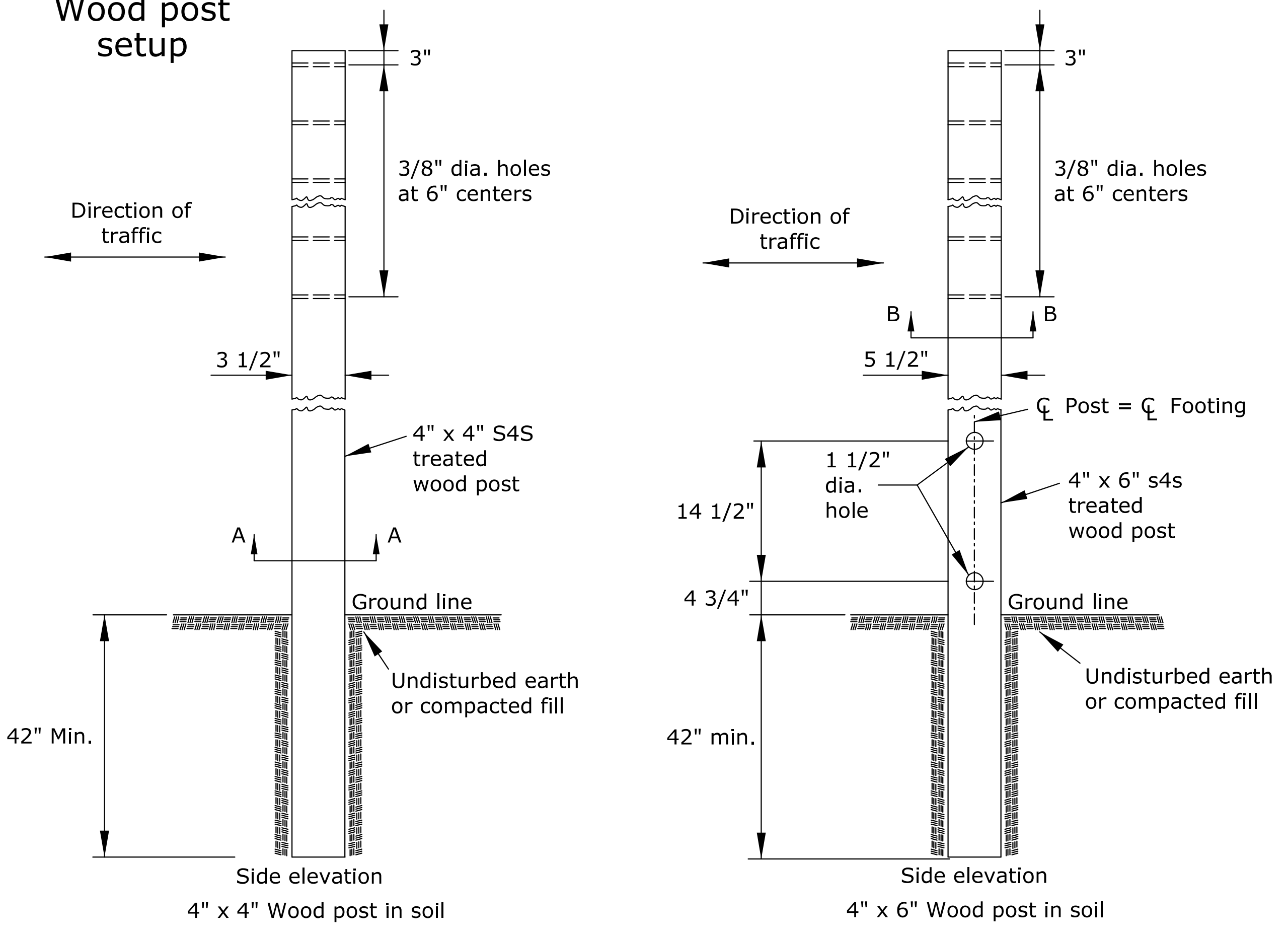
Section A-A



Section B-B

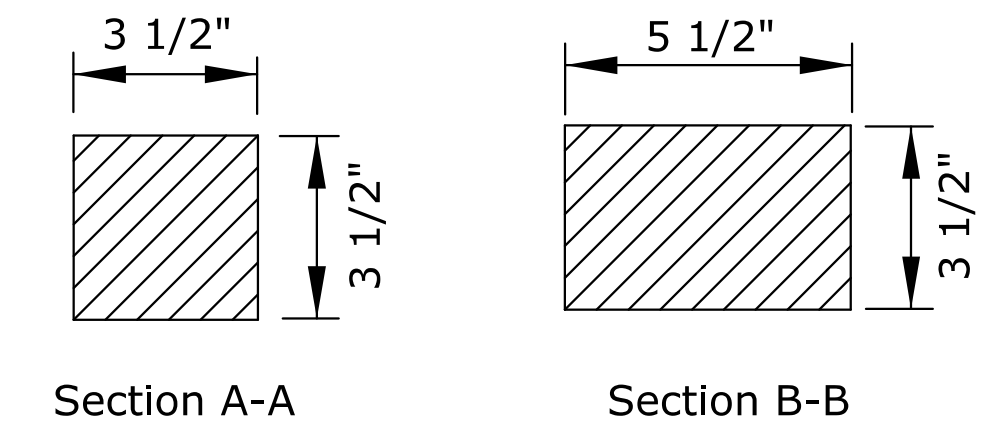
Details for 2", 2 1/4", or 2 1/2" sign posts
Place bolts in the same corner along each sign post.

Wood post setup



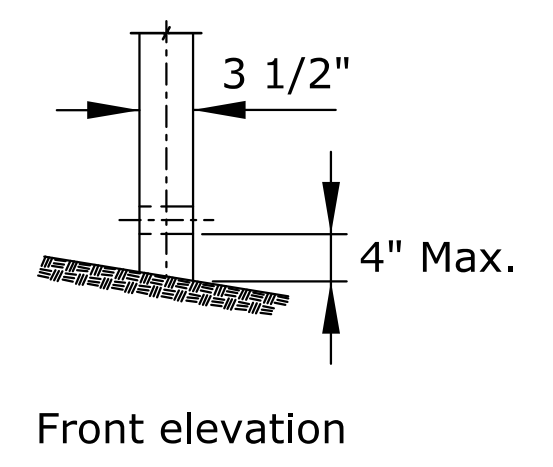
Side elevation
4" x 4" Wood post in soil

Side elevation
4" x 6" Wood post in soil



Section A-A

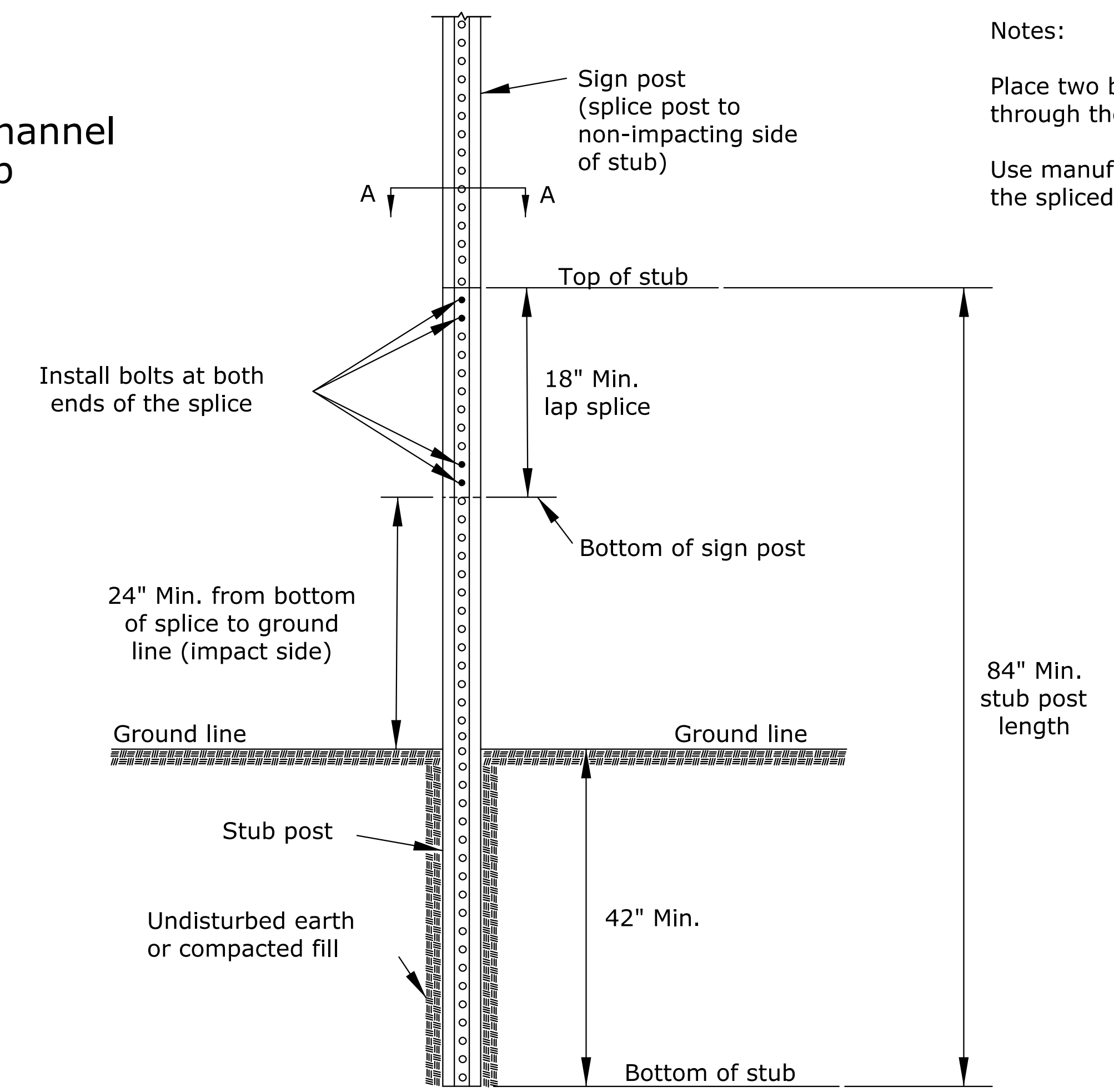
Section B-B



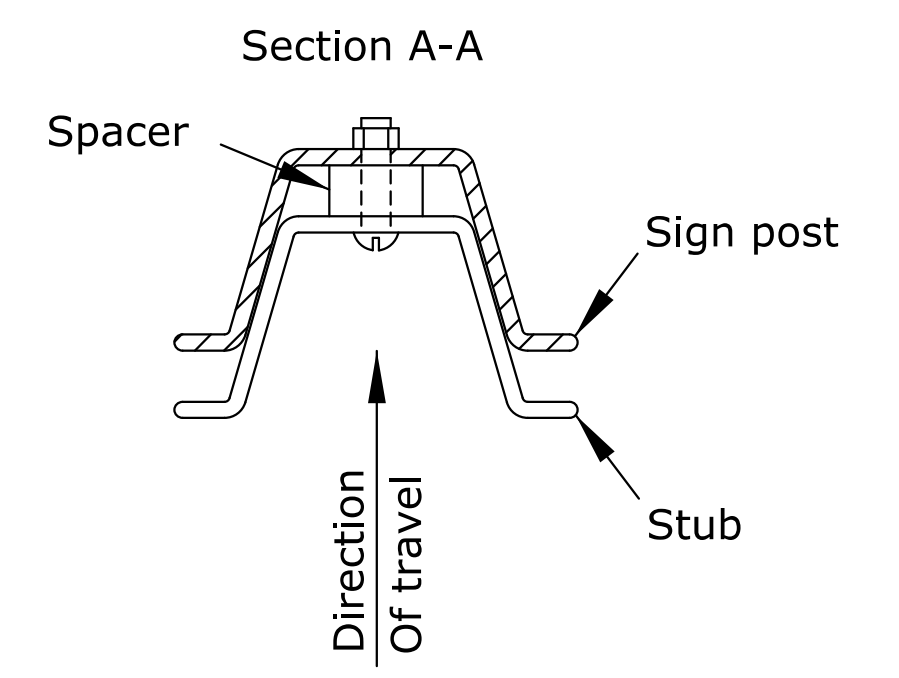
Front elevation

See TE710 for additional details and requirements

3 lb/f U-Channel setup



Notes:
Place two bolts at both ends of the splice through the holes nearest the ends of the splice.
Use manufacturer recommended spacers over the bolts between the spliced pieces of U-Channel.



3				
2				
1				
NO.	DATE	REVISIONS	BY	APP'D

KANSAS DEPARTMENT OF TRANSPORTATION

TRAFFIC CONTROL SIGN POSTS

TE712

DESIGNED	B.A.H.	DETAILED	R.W.B.	QUANTITIES	TRACED
DESIGN CK.		DETAIL CK.		QUAN. CK.	TRACE CK.