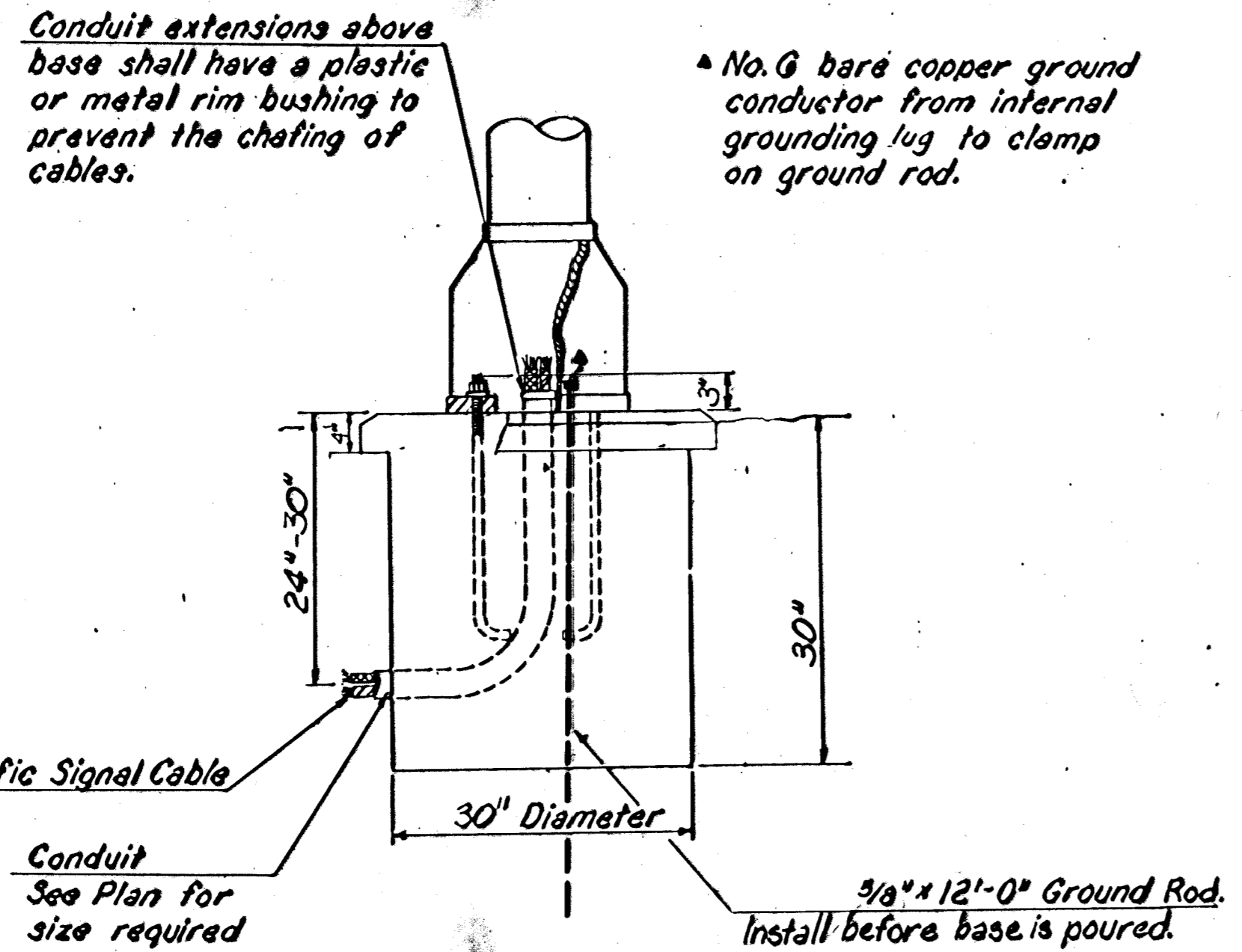


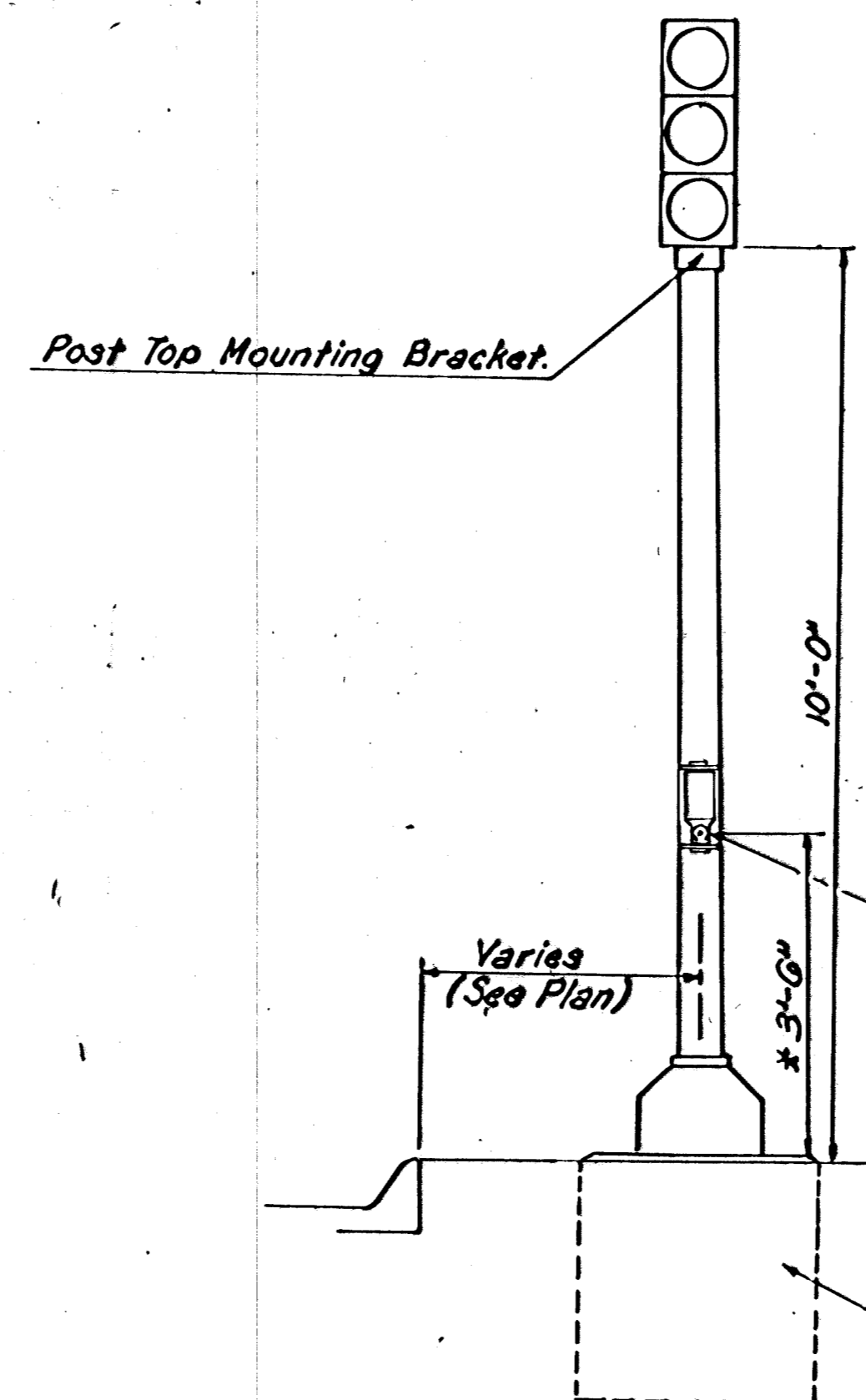
**ANCHOR BOLT
DETAIL**



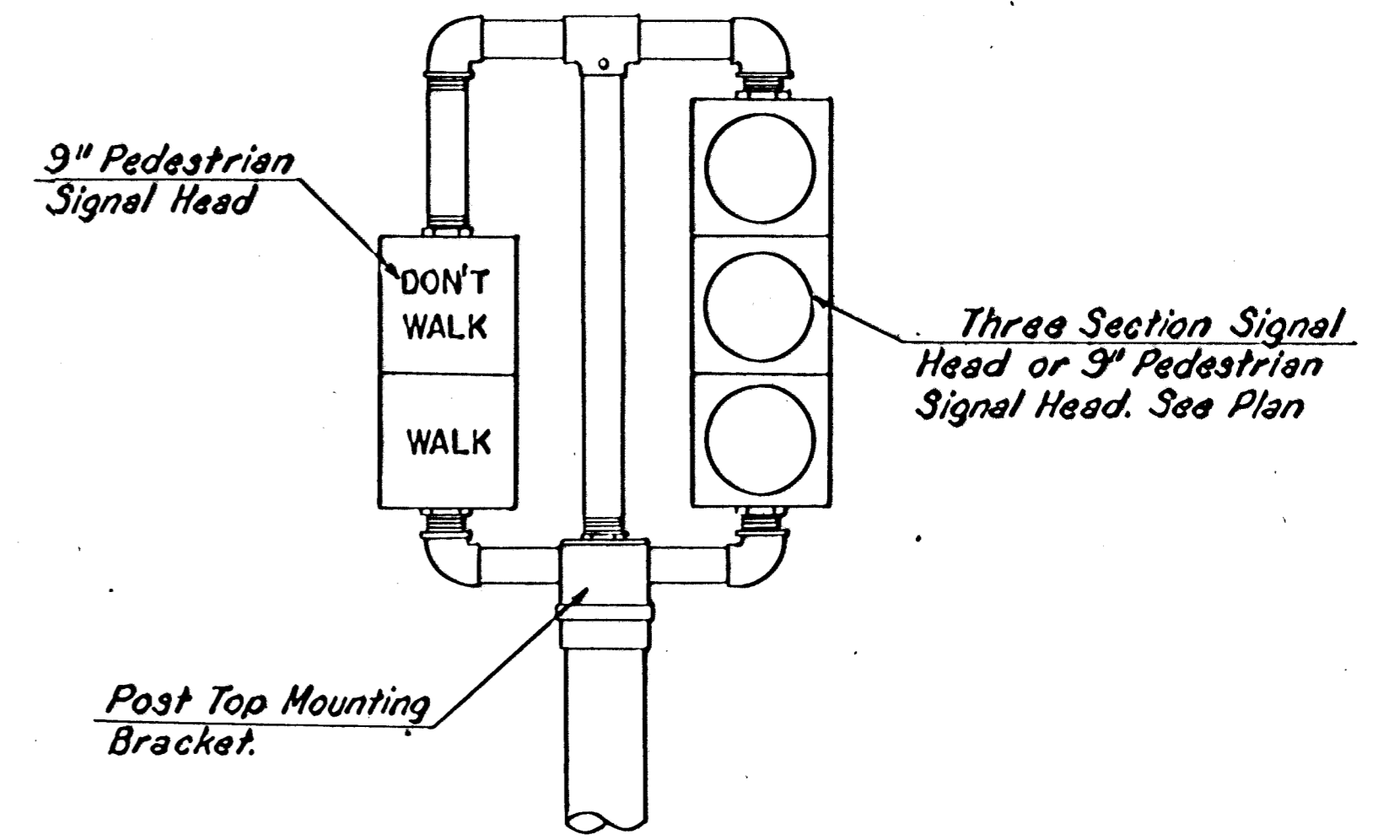
CONCRETE BASE DETAILS

Use Keystone "No-Weld Number 1 Anti-Seize Compound" on all bolts & nuts.

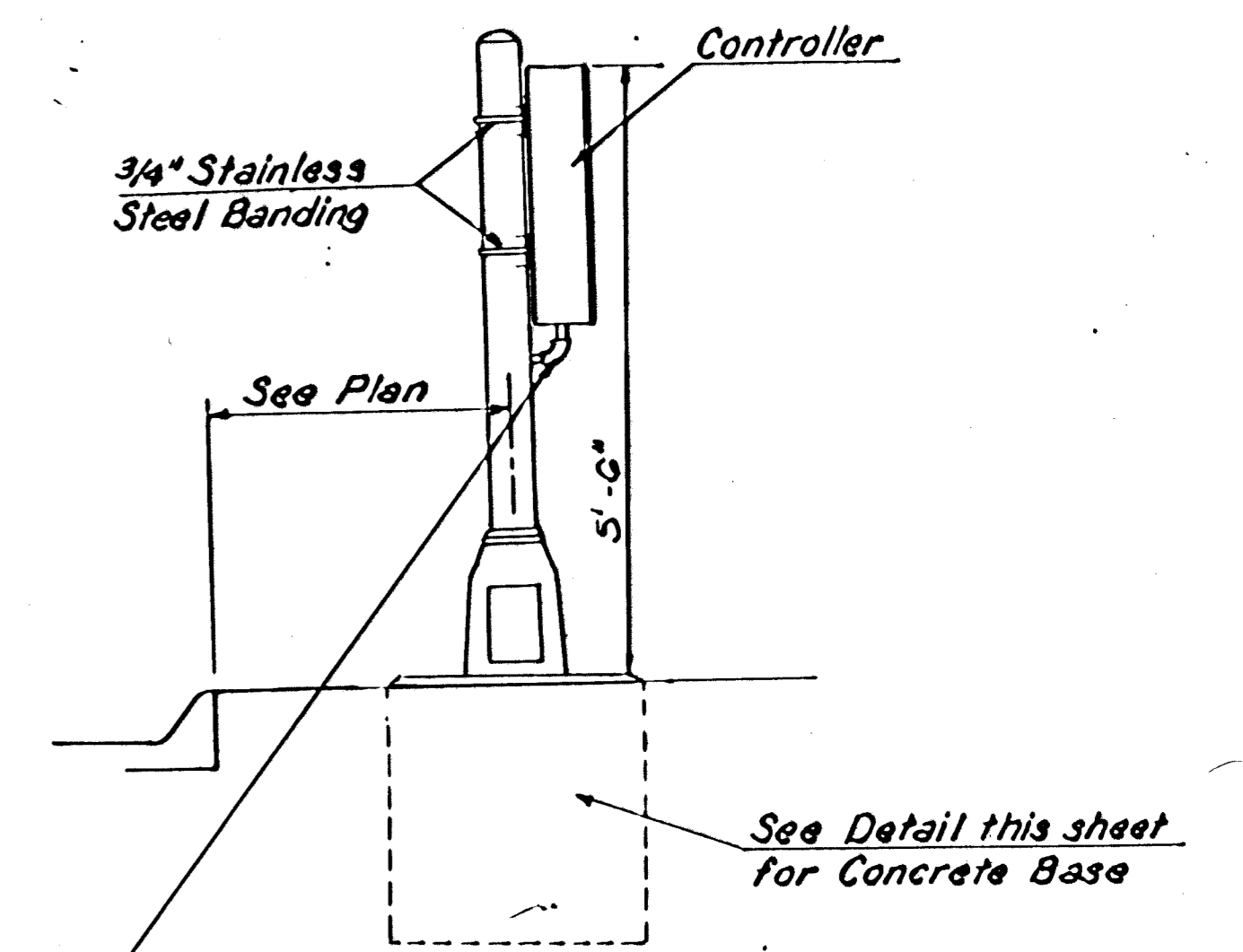
The Pedestrian Pushbutton/Sign Unit shall be firmly attached to the side of pole with 3/4" steel bands. Sharp ends shall be folded under to prevent injury to pedestrians.



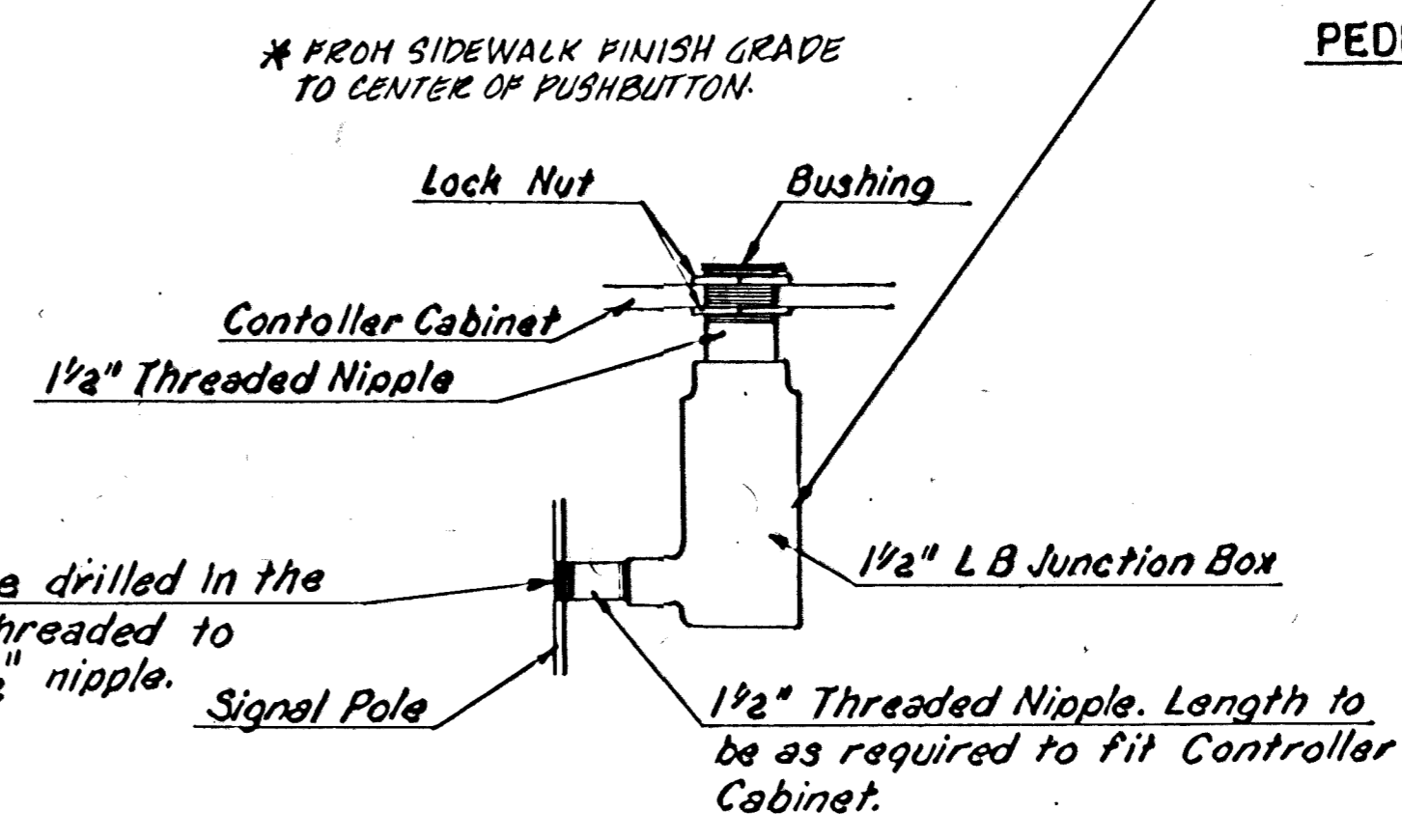
TRAFFIC SIGNAL PEDESTAL



DETAIL A



PEDESTAL MOUNTED CONTROLLER



TRAFFIC SIGNAL PEDESTAL & CONCRETE BASE DETAILS

CITY OF WICHITA
DEPARTMENT OF PUBLIC WORKS

Designed by _____ Checked by _____
 Drawn by _____ Date _____ Job No. _____

REV	DATE	COMMENTS	INR
001	01/01/93	CHANGE PUSHBUTTON UNIT	JLB
002	01/01/93	CHANGE WALK SIGNAL	JLB
003	01/01/93	REVISED ANCHOR BOLTS	JLB