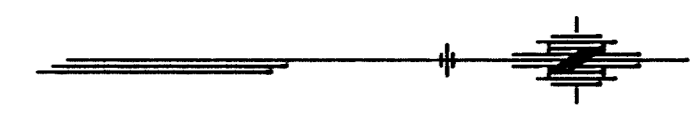
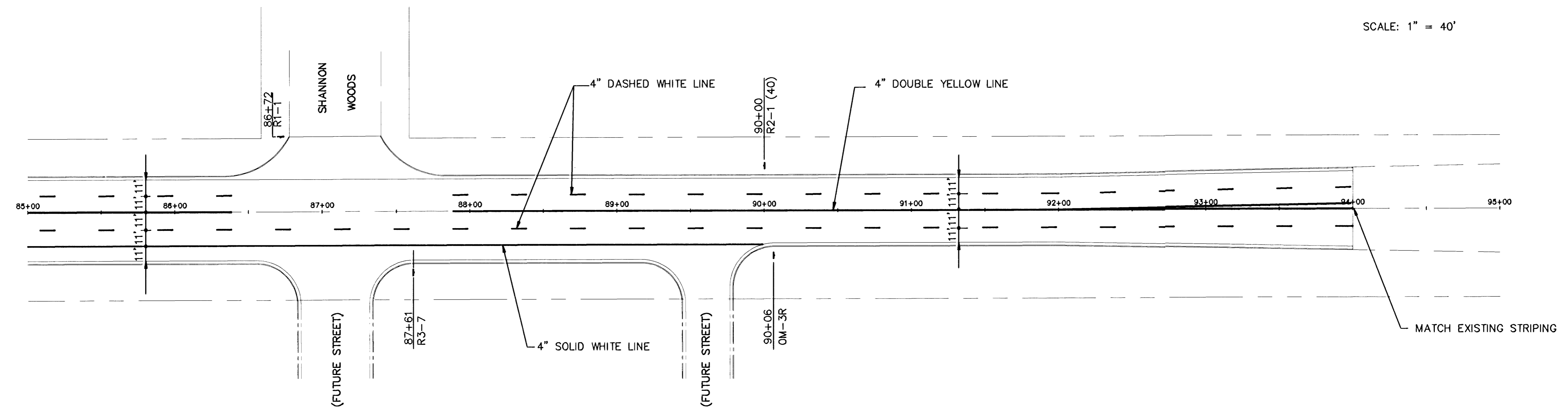


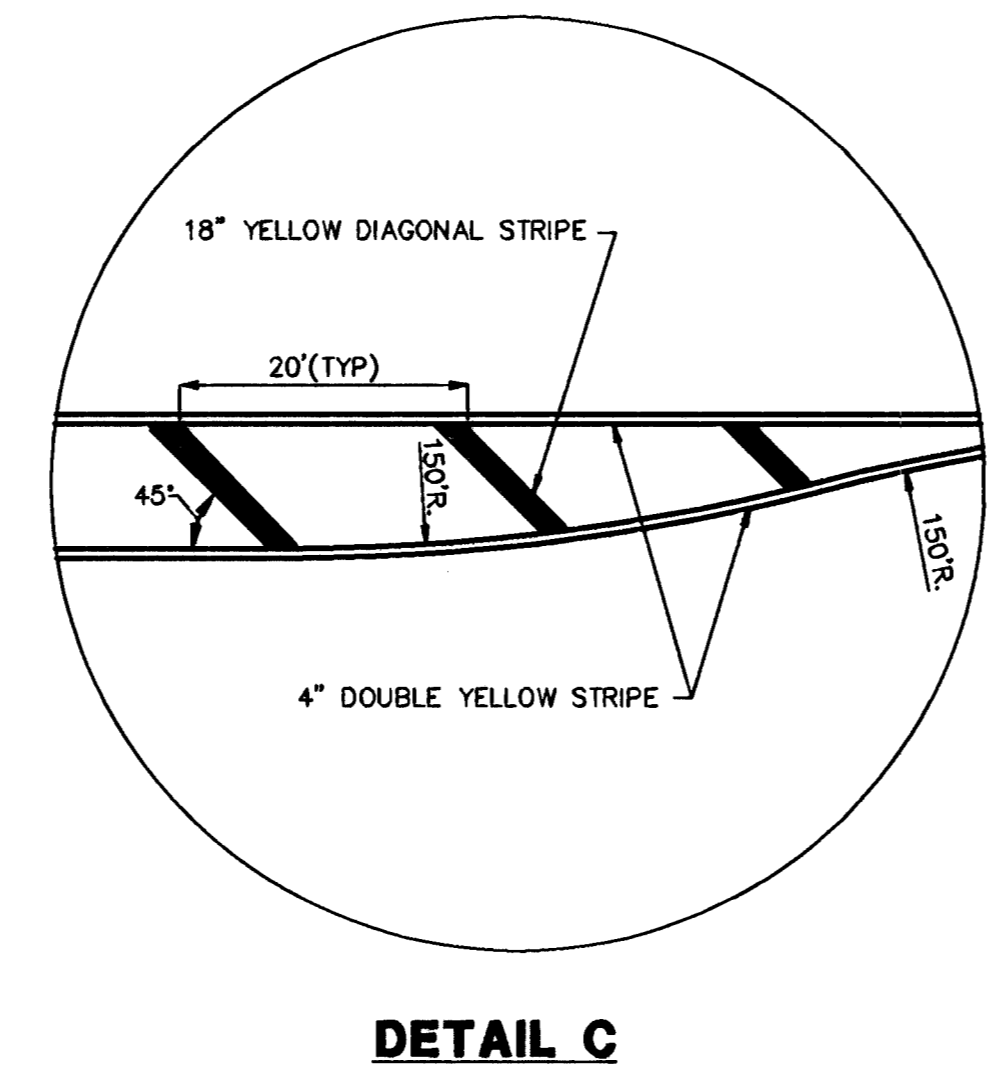
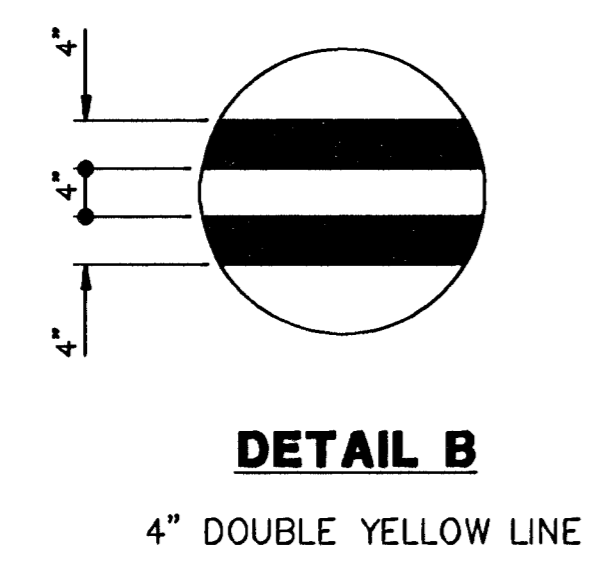
FHWA REGION NO.	STATE	PROJECT NO.	YEAR	SHEET NO.	TOTAL SHEETS
7	KS.	87-U-1362-01	1993	99	149



SCALE: 1" = 40'



WEBB ROAD - STA. 85+00 TO 94+00



KANSAS DEPARTMENT OF TRANSPORTATION			
WEBB ROAD			
PAVEMENT MARKING PLAN			
PROJECT NO. 87-U-1362-01		SEDGWICK, CO.	
MID-KANSAS ENGINEERING CONSULTANTS, INC.			
WCHITA, KANSAS			
DESIGNED BY:		CHECKED BY:	DLH & KJS
DRAWN BY:		DATE:	SHEET 99 OF 149