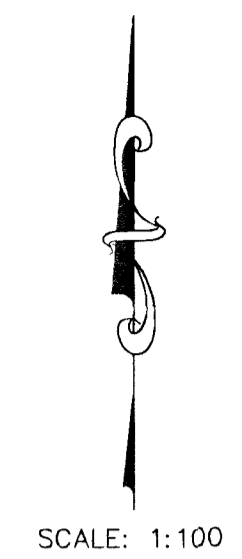
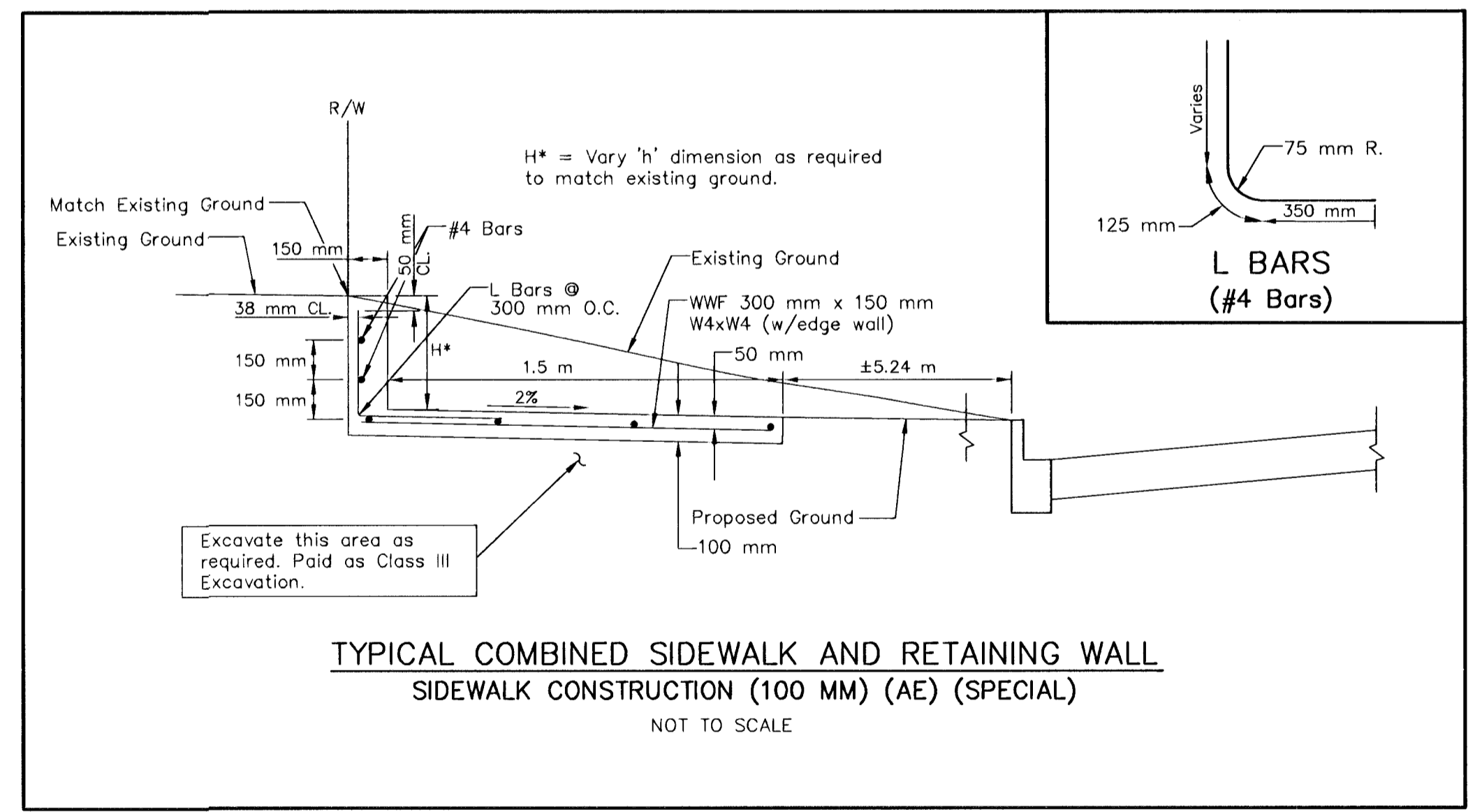
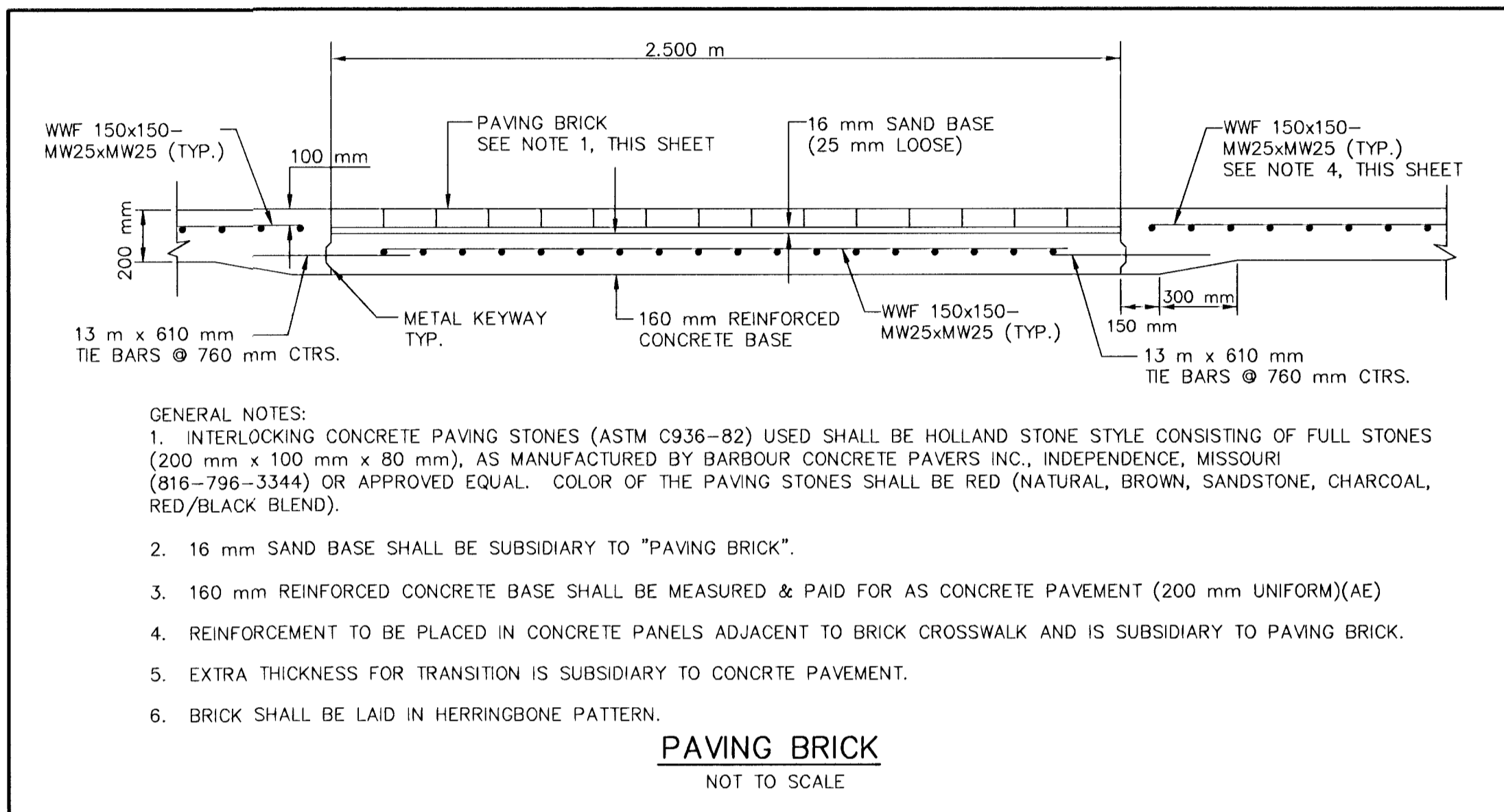
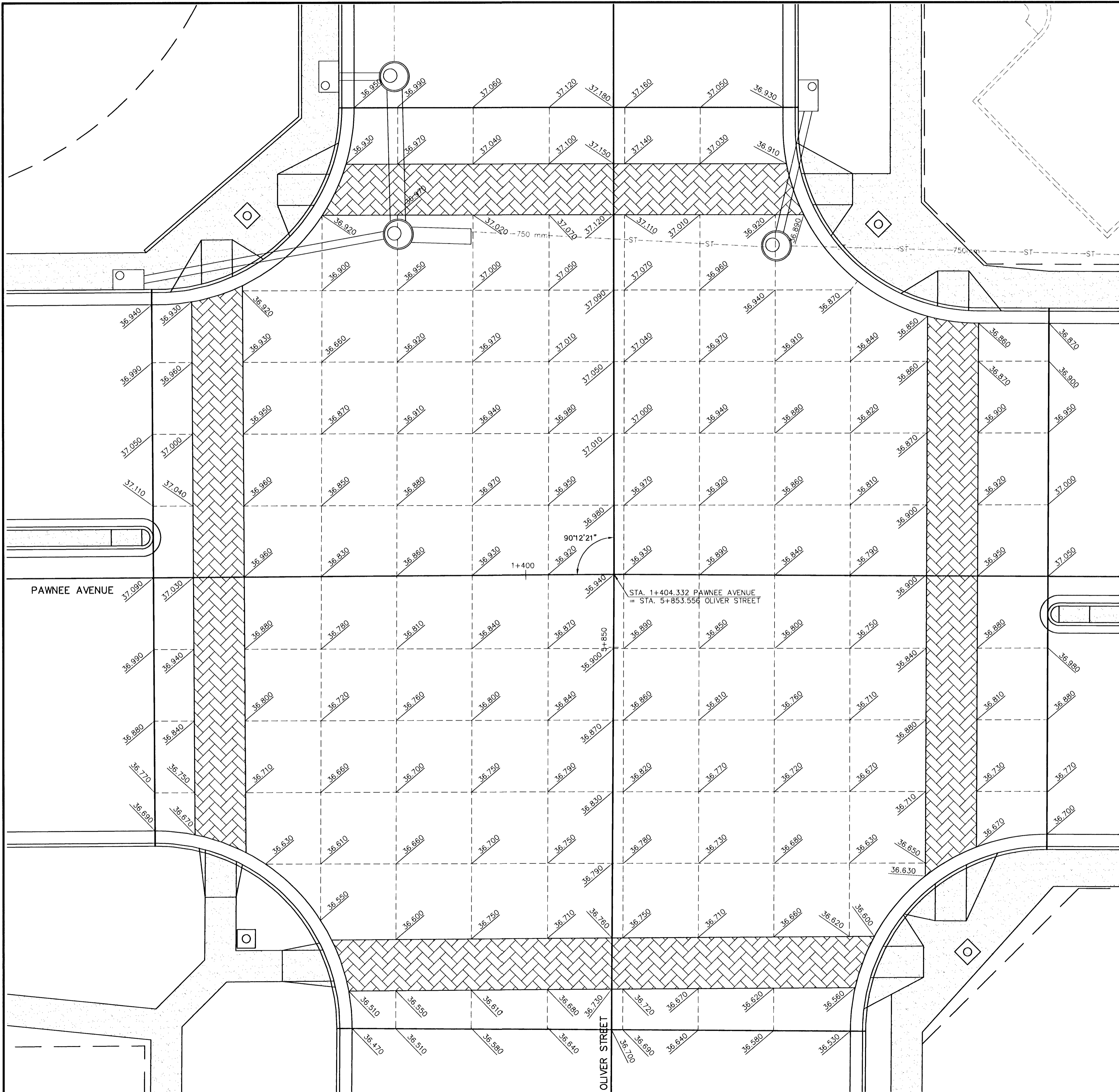


FHWA REGION NO.	STATE	PROJECT NO.	YEAR	SHEET NO.	TOTAL SHEETS
7	KANSAS	87 N-0092-01	1999	7	75



NOTE: SEE SHEET 8 FOR STORM SEWER CONSTRUCTION.



INTERSECTION DETAILS

KAW VALLEY ENGINEERING
ENGINEERS AND LAND SURVEYORS
2319 NORTH JACKSON
P.O. BOX 1304
JUNCTION CITY, KANSAS 66441
(785)762-5040 FAX (785)762-7744
E-MAIL jckve@kc.net

PROJ. NO.	97-1827
DATE	JULY 1999
DESIGNER	KB/SM
DRAWN BY	JO
CHECKED BY	CFN
SHEET	1827INTR
	7 OF 75

I:\e\06\1827\INTR.dwg Mon May 01 14:36:05 2000 JDLJE